



TITLE: 3PH DISTRIBUTION TRANSFORMER
NAMEPLATE INFORMATION

DES:	DCORTEZ
DATE:	24/11/15
SCALE:	NTS

SHEET 1 OF 3

EDBSH3U0300PB3K

0.1 httpd 2026/04/02 04:09

THIS DRAWING CONTAINS STRICTLY CONFIDENTIAL INFORMATION BELONGING TO HAMMOND POWER SOLUTIONS AND MUST NOT BE DISTRIBUTED OUTSIDE AUTHORIZED PARTIES.

POWER SOLUTIONS

Guelph, ONT Compton, CA
Hyderabad, IN

hammond HPS Sentinel™ H

DRY TYPE HARMONIC MITIGATING TRANSFORMER

TRANSFORMATEUR À SEC POUR MITIGATION D'HARMONIQUES

Part No. SH3U0300PB3K

Serial No. [] No. de Serie []

Phase 3

Type K

Cooling Refroidissement ANN

kVA 300

Temp. Rise Echauffement 150 °C

Temp Class Classe Temp 220 °C

Winding Enroulement CU

Frequency Fréquence Hz 60

Impedance % @ 170 °C 5.3

Encl Type Type De Coffrage 3R

Weight lbs/kg Poids 2370/1076

Baraboo, WI
Monterrey, MX

LISTED

DRY TYPE TRANSFORMER 8 03423 13563 8

ALSO VERIFIED IN ACCORDANCE TO ENERGY STANDARD CROZ 2-18 BY UNDERMILLERS LABORATORIES INC. 316

SPACINGS BETWEEN ANY VENTILATED ENCLOSURE PANEL AND ANY ADJACENT WALL SHALL BE A MINIMUM OF 5 INCHES ELECTROSTATIC SHIELD

VOLTS	CURRENT COURANT	% RATED VOLTAGE % NOMINALE	CONNECTIONS CONNECTIONS PAR PHASE
630	275	105	1
615	282	102.5	2
600	289	100	3
585	296	97.5	4
570	304	95	5
555	312	92.5	6
540	321	90	7

DOE 10 CFR PART 431:2016

CEE ACT SOR/2018-201

Z₀ 1.5 MAX

H1 34
H2 35
H3 36

SENTINEL H

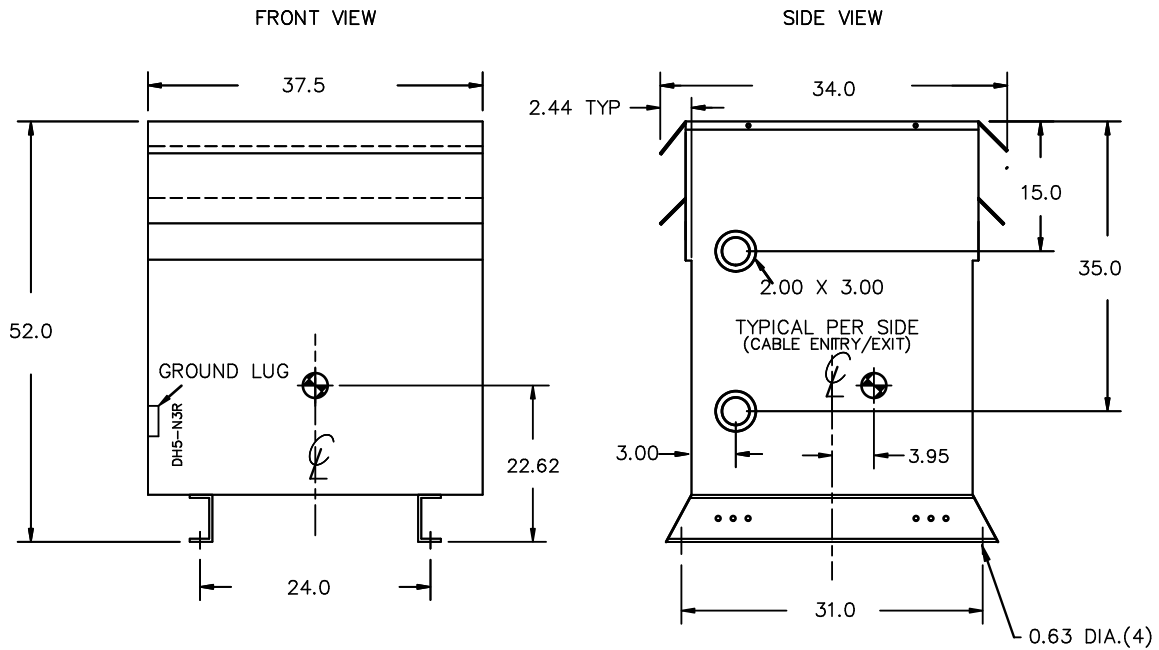
ANGULAR DISPLACEMENT

-30°

X1 X2 X3 X0

SEISMIC QUALIFICATIONS:
AS FLOOR MOUNT ONLY
IBC 2018/ASCE 7-16
SDS<=2.0g Z/n=0 Ip=1.5

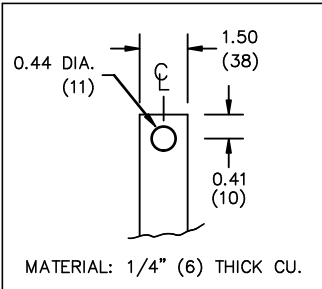
d000190hb



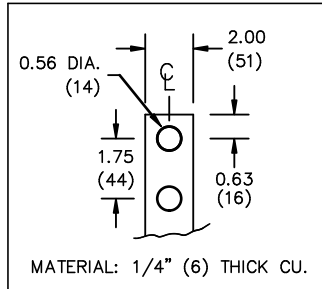
All Dimensions in inches

ENCLOSURE COLOR :ANSI 61 GREY – OUTDOOR

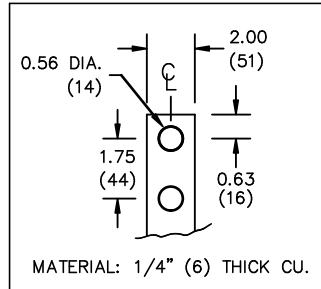
HV TERMINAL DETAIL



LV TERMINAL DETAIL



XO TERMINAL DETAIL



CUSTOMER NOTES:

- HV TERMINATED AT TOP FRONT
- LV TERMINATED AT BOTTOM FRONT
- XO TERMINATED AT BOTTOM FRONT
- 200% RATED NEUTRAL XO HAS TWO TERMINALS, DIVIDE CABLES EVENLY



TITLE: 3PH DISTRIBUTION TRANSFORMER

DES:	DCORTEZ
DATE:	24/11/15
SCALE:	NTS

NO.	DATE	BY	REVISION

SHEET 2 OF 3

EDBSH3U0300P3K

ENCLOSURE BOTTOM VIEW



NOTE:
 WHEN BOTTOM CABLE ENTRY IS OPTED, THE SPACE USED FOR CONDUITS IN THE FRONT OF THE TRANSFORMER SHOULD NOT OBSTRUCT MORE THAN 50% OF THE FRONT AIR INTAKE AREA DEFINED BETWEEN THE BOTTOM PLATE AND THE SUPPORTING LEGS.
 SEE MANUAL FOR ADDITIONAL INFORMATION



TITLE: 3PH DISTRIBUTION TRANSFORMER
 ENCLOSURE BOTTOM VIEW

				DES: DCORTEZ
				DATE: 24/11/15
NO.	DATE	BY	REVISION	SCALE: NTS

SHEET 3 OF 3

EDBSH3U0300P3K