



TITLE: 3PH DISTRIBUTION TRANSFORMER
NAMEPLATE INFORMATION

NO.	DATE	BY	REVISION	DES: LCN
				DATE: 22/01/13
				SCALE: NTS

SHEET 1 OF 3

EDBSH3U0300KB3S

0.1 httpd 2026/04/03 11:18

THIS DRAWING CONTAINS STRICTLY CONFIDENTIAL INFORMATION BELONGING TO HAMMOND POWER SOLUTIONS AND MUST NOT BE DISTRIBUTED OUTSIDE AUTHORIZED PARTIES.

POWER SOLUTIONS
Guelph, ONT Compton, CA
Hyderabad, IN

hammond HPS Sentinel™ H
DRY TYPE HARMONIC MITIGATING TRANSFORMER
TRANSFORMATEUR À SEC POUR MITIGATION D'HARMONIQUES
Baraboo, WI Monterrey, MX
Part No. SH3U0300KB3S

Cust. Ref. Ref. du Client	Serial No. No. de Serie	Phase	Model	HV/HT	Type	Cooling Refroidissement	Term Bornes	LV/BT	Temp. Rise Echauffement	Temp Class Classe Temp	Winding Enroulement	Frequency Fréquence Hz	Impedance % Z ₀	Encl Type Type De Coffrage	Weight lbs/kg Poids
		3	K	480YV	ANN	H1 H2 H3	208Z/120V	X1 X2 X3	X0 (200%)	AL	60	4.6	3R	2820/1280	

VOLTS	CURRENT COURANT	% RATED VOLTAGE % NOMINALE	CONNECTION ELECTRICAL PAR PHASE
504 492 480 468 456 444 432	344 352 361 370 380 390 401	105 102.5 100 97.5 95 92.5 90	1-2 2-3 3-4 4-5 5-6 6-7 6-7

SEISMIC QUALIFICATIONS:
AS FLOOR MOUNT ONLY
IBC 2018/ASCE 7-16
SDS<=2.0g Z/n=0 Ip=1.5

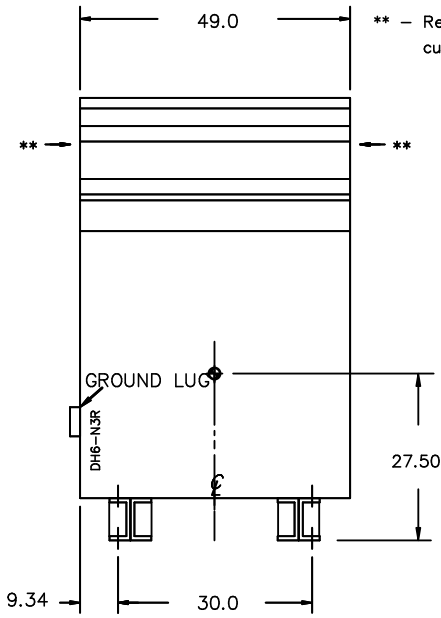
SPACINGS BETWEEN ANY VENTILATED ENCLOSURE PANEL AND ANY ADJACENT WALL SHALL BE A MINIMUM OF 5 INCHES
ELECTROSTATIC SHIELD
VOLTAGE ERROR +/-2%

LISTED
E112313
ALSO VERIFIED IN ACCORDANCE TO ENERGY STANDARD CROZ-18 BY UNDERMETERS LABORATORIES INC. 316

LR 3902
TRANSFORMER 8 03423 13508 9

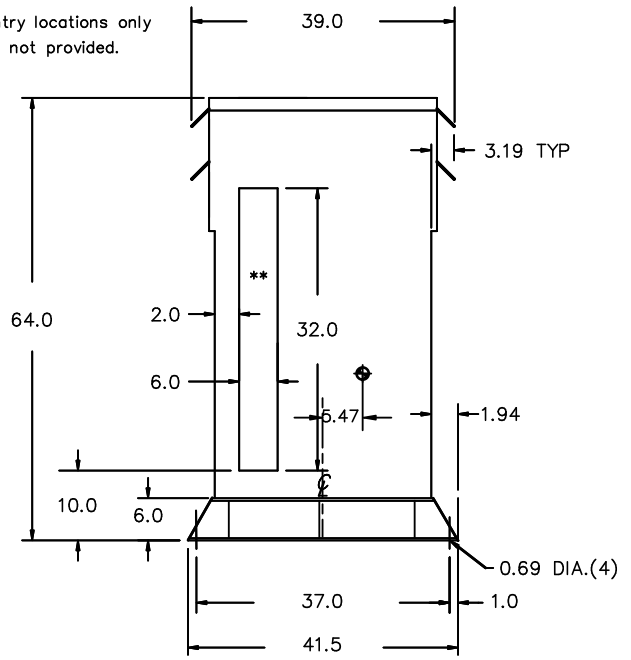
0000190hb

FRONT VIEW



** - Recommended cable entry locations only cutouts & gland plates not provided.

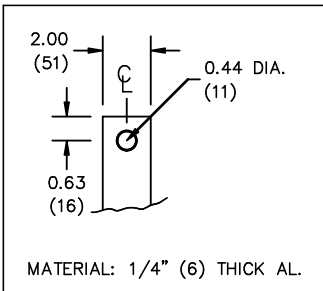
SIDE VIEW



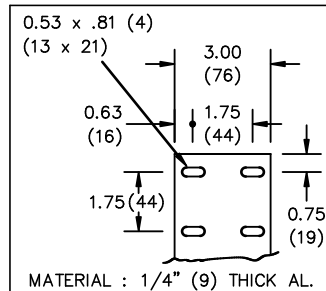
All Dimensions in inches

ENCLOSURE COLOR : ANSI 61 GREY - OUTDOOR

HV TERMINAL DETAIL



LV TERMINAL DETAIL



CUSTOMER NOTES:

- HV TERMINATED AT TOP FRONT
- LV TERMINATED AT BOTTOM FRONT
- 200% RATED NEUTRAL XO HAS TWO TERMINALS, DIVIDE CABLES EVENLY



TITLE: 3PH DISTRIBUTION TRANSFORMER

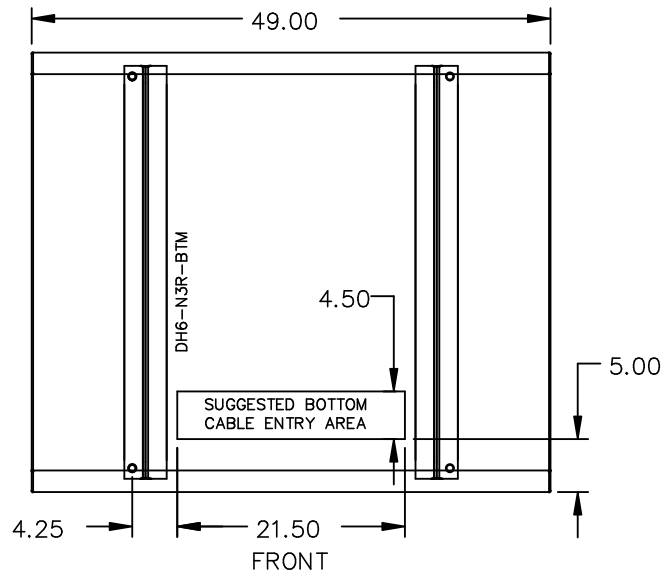
DES:	LCEN
DATE:	22/01/13
SCALE:	NTS

NO.	DATE	BY	REVISION

SHEET 2 OF 3

EDBSH3U0300K335

ENCLOSURE BOTTOM VIEW



NOTE:
 WHEN BOTTOM CABLE ENTRY IS OPTED, THE SPACE USED FOR CONDUITS IN THE FRONT OF THE TRANSFORMER SHOULD NOT OBSTRUCT MORE THAN 50% OF THE FRONT AIR INTAKE AREA DEFINED BETWEEN THE BOTTOM PLATE AND THE SUPPORTING LEGS.
 SEE MANUAL FOR ADDITIONAL INFORMATION



TITLE: 3PH DISTRIBUTION TRANSFORMER
 ENCLOSURE BOTTOM VIEW

				DES: LCEN
				DATE: 22/01/13
NO.	DATE	BY	REVISION	SCALE: NTS

SHEET 3 OF 3

EDBSH3U0300K37S