




TITLE: 3PH DISTRIBUTION TRANSFORMER
NAMEPLATE INFORMATION

1	21/07/16	PP	EDB UPDATE	DES: CSHAH
NO.	DATE	BY	REVISION	SCALE: NTS

SHEET 1 OF 3

EDBSH3U0300KB3K

1.0 httpd 2026/04/02 01:33



POWER SOLUTIONS
Guelph, ONT Compton, CA
Hyderabad, IN

hammond HPS Sentinel™ H
DRY TYPE HARMONIC MITIGATING TRANSFORMER
TRANSFORMATEUR À SEC POUR MITIGATION D'HARMONIQUES
Baraboo, WI Monterrey, MX
Part No. SH3U0300KB3K

Cust. Ref. [] Serial No. []
Ref. du Client [] No. de Serie []


Phase 3 Model []
Type K HV/HT 480YV
Cooling Refroidissement ANN Term Bornes H1 H2 H3
kVA 300 LV/BT 208Z/120V
Temp. Rise Echauffement 150 °C Term Bornes X1 X2 X3
Temp Class Classe Temp 220 °C Neutral XO (200% RATED)
Winding Enroulement CU Energy Regulations DOE 10 CFR PART 431:2016
Frequency Fréquence Hz 60 CEE ACT SOR/2018-201
Impedance % Impédance % 4.0 Z₀ 1.5 MAX
Encl Type Type De Coffrage 3R Number of Secondaries []
Weight lbs/kg Poids 2500/1134

VOLTS	CURRENT COURANT	% RATED VOLTAGE % NOMINALE	CONNECTION CONNECTION FOR CONNECTIONS PAR PHASE
497	349	103.5	1
480	361	100	2
463	374	96.5	3
446	388	93	4

SEISMIC QUALIFICATIONS:
AS FLOOR MOUNT ONLY
IBC 2018/ASCE 7-16
SDS<=2.0g Z/n=0 Ip=1.5

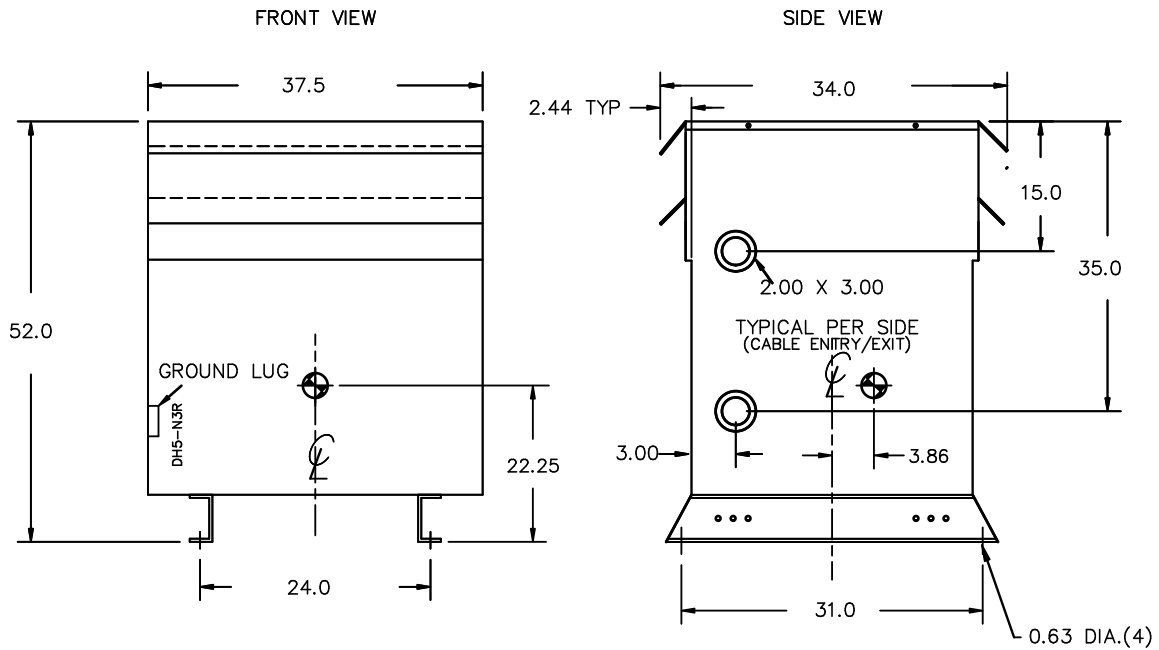
SPACINGS BETWEEN ANY VENTILATED ENCLOSURE PANEL AND ANY ADJACENT WALL SHALL BE A MINIMUM OF 5 INCHES ELECTROSTATIC SHIELD

LISTED



DRY TYPE TRANSFORMER 8 03423 13552 2
ALSO VERIFIED IN ACCORDANCE TO ENERGY STANDARD CRO22-18 BY UNDERWRITERS LABORATORIES INC. 316

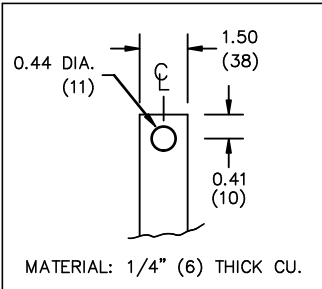
0000190hb



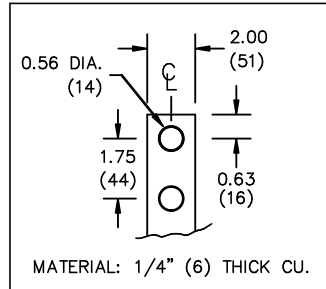
All Dimensions in inches

ENCLOSURE COLOR :ANSI 61 GREY – OUTDOOR

HV TERMINAL DETAIL



LV TERMINAL DETAIL



CUSTOMER NOTES:

- HV TERMINATED AT TOP FRONT
- LV TERMINATED AT BOTTOM FRONT
- C/W 2 XO PADS (DIVIDE CABLES EVENLY AMONG BOTH)



TITLE: 3PH DISTRIBUTION TRANSFORMER

1	21/07/16	PP	EDB UPDATE	DES: CSHAH
				DATE: 20/04/15
NO.	DATE	BY	REVISION	SCALE: NTS

SHEET 2 OF 3

EDB SH3U0300K3K

ENCLOSURE BOTTOM VIEW



NOTE:
 WHEN BOTTOM CABLE ENTRY IS OPTED, THE SPACE USED FOR CONDUITS IN THE FRONT OF THE TRANSFORMER SHOULD NOT OBSTRUCT MORE THAN 50% OF THE FRONT AIR INTAKE AREA DEFINED BETWEEN THE BOTTOM PLATE AND THE SUPPORTING LEGS.
 SEE MANUAL FOR ADDITIONAL INFORMATION



TITLE: 3PH DISTRIBUTION TRANSFORMER
ENCLOSURE BOTTOM VIEW

1	21/07/16	PP	EDB UPDATE	DES: CSHAH
NO.	DATE	BY	REVISION	SCALE: NTS

SHEET 3 OF 3

EDBSH3U0300K3K