



TITLE: 3PH DISTRIBUTION TRANSFORMER
NAMEPLATE INFORMATION


| | | | | |
|-----|----------|----|------------------|------------|
| 1 | 25/03/24 | LC | CHANGED NPL VER: | DES: LCEN |
| NO. | DATE | BY | REVISION | SCALE: NTS |

SHEET 1 OF 3

EDB3H3U0150PB3S

1.0 httpd 2026/06/03 17:02

THIS DRAWING CONTAINS STRICTLY CONFIDENTIAL INFORMATION BELONGING TO HAMMOND POWER SOLUTIONS AND MUST NOT BE DISTRIBUTED OUTSIDE AUTHORIZED PARTIES.



POWER SOLUTIONS

Guelph, ONT Compton, CA Hyderabad, IN

hammond HPS Sentinel™ H

DRY TYPE HARMONIC MITIGATING TRANSFORMER

TRANSFORMATEUR À SEC POUR MITIGATION D'HARMONIQUES

Part No. SH3U0150PB3S

Serial No. [] No. de Serie []

Phase 3

Type K

Cooling Refroidissement ANN

kVA 150

Temp. Rise Echauffement 150 °C

Temp Class Classe Temp 220 °C

Winding Enroulement AL

Frequency Fréquence Hz 60

Impedance % @ 170 °C 4.6

Encl Type Type De Coffrage 3R

Weight lbs/kg Poids 1210/549

Baraboo, WI 600YV

Monterrey, MX H1 H2 H3

208Z/120V

X1 X2 X3

X0 (200%)

DOE 10 CFR PART 431:2016

CEE ACT SOR/2018-201

0.95 MAX

| VOLTS | CURRENT COURANT | % RATED VOLTAGE /% TENSION NOMINALE | CONNECTIONS CONNECTIONS PAR PHASE |
|-------|-----------------|-------------------------------------|-----------------------------------|
| 630 | 137 | 105 | 1 |
| 615 | 141 | 102.5 | 2 |
| 600 | 144 | 100 | 3 |
| 585 | 148 | 97.5 | 4 |
| 570 | 152 | 95 | 5 |
| 555 | 156 | 92.5 | 6 |
| 540 | 160 | 90 | 7 |

LISTED

SPACINGS BETWEEN ANY VENTILATED ENCLOSURE PANEL AND ANY ADJACENT WALL SHALL BE A MINIMUM OF 5 INCHES

ELECTROSTATIC SHIELD

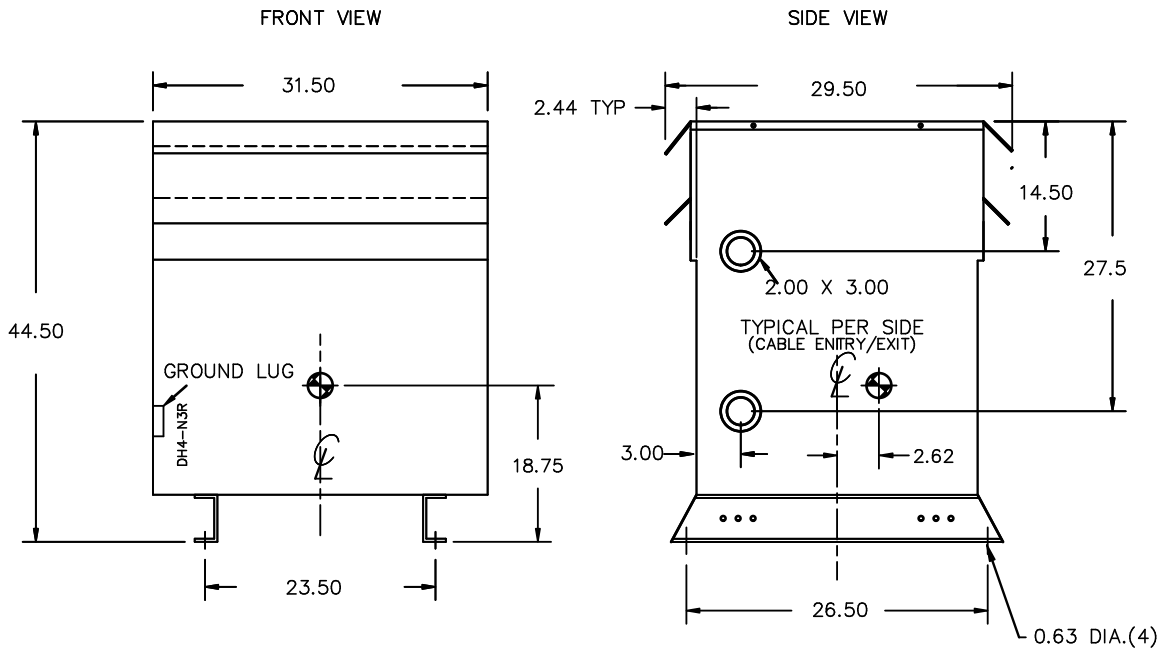
SEISMIC QUALIFICATIONS:
AS FLOOR MOUNT ONLY
IBC 2018/ASCE 7-16
SDS<=2.0g Z/n=1 Ip=1.5

ANGULAR DISPLACEMENT

SENTINEL H

-30°

d000190hb



All Dimensions in inches

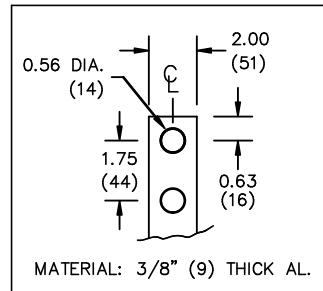
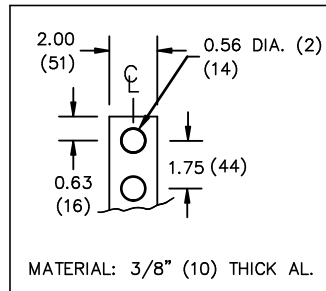
ENCLOSURE COLOR :ANSI 61 GREY – OUTDOOR

HV TERMINAL DETAIL

LV TERMINAL DETAIL

XO TERMINAL DETAIL

MECHANICAL TYPE LUGS INCLUDED
SUITABLE FOR 250MCM-6 CU/AL
CONDUCTORS
1 CONDUCTOR PER PHASE



CUSTOMER NOTES:

- HV TERMINATED AT TOP FRONT
 - LV TERMINATED AT BOTTOM FRONT
 - XO TERMINATED AT BOTTOM FRONT
- 200% RATED NEUTRAL XO HAS TWO TERMINALS, DIVIDE CABLES EVENLY

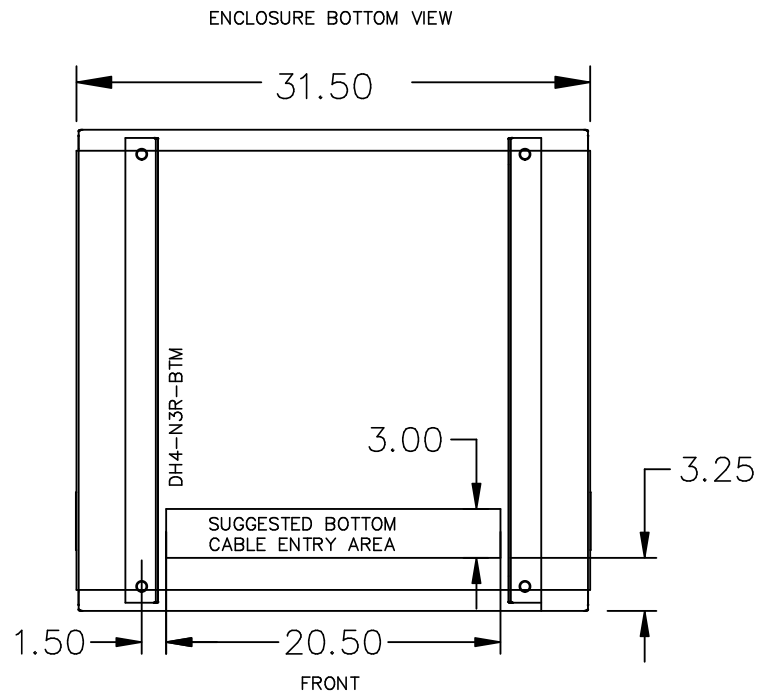


TITLE: 3PH DISTRIBUTION TRANSFORMER

| | | | | |
|-----|----------|----|------------------|------------|
| 1 | 25/03/24 | LC | CHANGED NPL VER: | DES: LCEN |
| NO. | DATE | BY | REVISION | SCALE: NTS |

SHEET 2 OF 3

EDBSH3U0150PB3S



NOTE:
 WHEN BOTTOM CABLE ENTRY IS OPTED, THE SPACE USED FOR CONDUITS IN THE FRONT OF THE TRANSFORMER SHOULD NOT OBSTRUCT MORE THAN 50% OF THE FRONT AIR INTAKE AREA DEFINED BETWEEN THE BOTTOM PLATE AND THE SUPPORTING LEGS.
 SEE MANUAL FOR ADDITIONAL INFORMATION



TITLE: 3PH DISTRIBUTION TRANSFORMER
 ENCLOSURE BOTTOM VIEW

| | | | | |
|-----|----------|----|------------------|------------|
| 1 | 25/03/24 | LC | CHANGED NPL VER: | DES: LCEN |
| NO. | DATE | BY | REVISION | SCALE: NTS |

SHEET 3 OF 3

EDRSH3U0150PB3S