



TITLE: 3PH DISTRIBUTION TRANSFORMER
NAMEPLATE INFORMATION

NO.	DATE	BY	REVISION	SCALE:
2	21/07/16	PP	EDB UPDATE	DES: LCEN
1	20/03/17	PP	SEISMIC UPDATE	DATE: 19/01/25
				NTS

SHEET 1 OF 3

EDB SH3U0112PB3S

2.0 httpd 2026/06/03 12:36

POWER SOLUTIONS
Guelph, ONT Compton, CA
Hyderabad, IN

hammond HPS Sentinel™ H
DRY TYPE HARMONIC MITIGATING TRANSFORMER
TRANSFORMATEUR À SEC POUR MITIGATION D'HARMONIQUES
Baraboo, WI Monterrey, MX
Part No. SH3U0112PB3S

Cust. Ref. Ref. du Client	Serial No. No. de Serie	HV/HT	Term Bornes	LV/BT	Term Bornes	Neutral
Phase	3	600YV	H1 H2 H3	208Z/120V	X1 X2 X3	X0(200%)
Type	K					
Cooling Refrondissement	ANN					
kVA	112.5					
Temp. Rise Echauffement	150 °C					
Temp Class Classe Temp	220 °C					
Winding Enroulement	AL					DOE 10 CFR PART 431:2016
Frequency Frequence Hz	60					CEE ACT SOR/2018-201
Impedance % @ 170 °C	4.6					0.95 MAX
Encl Type Type De Coffrage	3R					Number of Secondaries
Weight Poids lbs	1100					

VOLTS	CURRENT COURANT	% RATED VOLTAGE % NOMINALE	CONNECTION TYPE FOR CONNECTION PAR PHASE
630	103.1	105	1
615	105.6	102.5	2
600	108.3	100	3
585	111	97.5	4
570	114	95	5
555	117	92.5	6
540	120	90	7

SEISMIC QUALIFICATIONS:
AS FLOOR MOUNT ONLY
IBC 2018/ASCE 7-16
SDS<=2.0g Z/n=1 Ip=1.5

SPACINGS BETWEEN ANY VENTILATED ENCLOSURE PANEL AND ANY ADJACENT WALL SHALL BE A MINIMUM OF 5 INCHES EXCEPT WHEN WALL MOUNTED USING APPROVED WALL MOUNTING KIT ELECTROSTATIC SHIELD

LISTED

DRY TYPE TRANSFORMER 8 03423 13516 4
ALSO VERIFIED IN ACCORDANCE TO ENERGY STANDARD C802.2-18 BY UNDERWITERS LABORATORIES INC. © 316

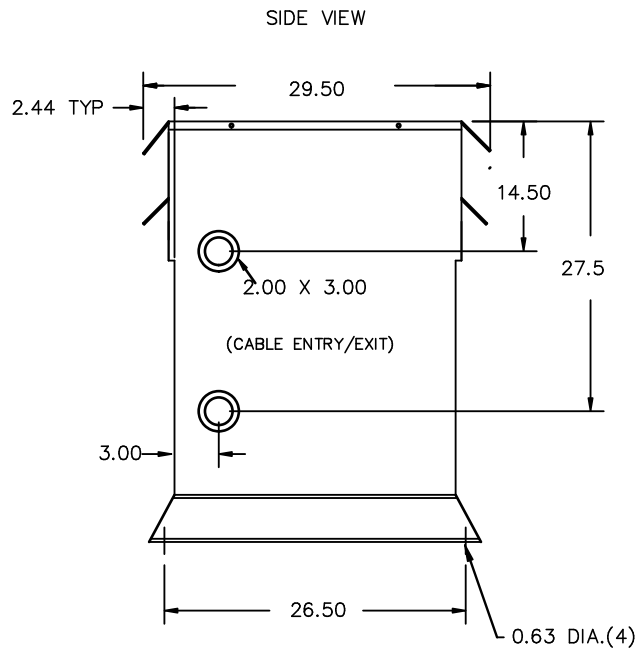
3P
SENTINEL H
ANGULAR DISPLACEMENT
-30°

d000190hb

THIS DRAWING CONTAINS STRICTLY CONFIDENTIAL INFORMATION BELONGING TO HAMMOND POWER SOLUTIONS AND MUST NOT BE DISTRIBUTED OUTSIDE AUTHORIZED PARTIES.



All Dimensions in inches



ENCLOSURE COLOR :ANSI 61 GREY – OUTDOOR

HV TERMINAL DETAIL

LV TERMINAL DETAIL

X0 TERMINAL DETAIL

MECHANICAL TYPE LUGS INCLUDED
SUITABLE FOR 250MCM-6 CU/AL
CONDUCTORS
1 CONDUCTOR PER PHASE

MECHANICAL TYPE LUGS INCLUDED
SUITABLE FOR 350MCM-6 CU/AL
CONDUCTORS
2 CONDUCTORS PER PHASE

MECHANICAL TYPE LUGS INCLUDED
SUITABLE FOR 350MCM-6 CU/AL
CONDUCTORS
2 CONDUCTORS PER PHASE

CUSTOMER NOTES:

- HV TERMINATED AT BOTTOM FRONT
- LV TERMINATED AT TOP FRONT
- X0 TERMINATED AT TOP FRONT
- 200% RATED NEUTRAL X0 HAS QTY 2 LUGS



TITLE: 3PH DISTRIBUTION TRANSFORMER

2	21/07/16	PP	EDB UPDATE	DES: LCEN
1	20/03/17	PP	SEISMIC UPDATE	DATE: 19/01/25
NO.	DATE	BY	REVISION	SCALE: NTS

SHEET 2 OF 3

EDBSH3U0112PB3S



NOTE:
 WHEN BOTTOM CABLE ENTRY IS OPTED, THE SPACE USED FOR CONDUITS IN THE FRONT OF THE TRANSFORMER SHOULD NOT OBSTRUCT MORE THAN 50% OF THE FRONT AIR INTAKE AREA DEFINED BETWEEN THE BOTTOM PLATE AND THE SUPPORTING LEGS.
 SEE MANUAL FOR ADDITIONAL INFORMATION



TITLE: 3PH DISTRIBUTION TRANSFORMER
 ENCLOSURE BOTTOM VIEW

2	21/07/16	PP	EDB UPDATE	DES: LCEN
1	20/03/17	PP	SEISMIC UPDATE	DATE: 19/01/25
NO.	DATE	BY	REVISION	SCALE: NTS

SHEET 3 OF 3

EDB3SH3U0112PB3S