



TITLE: 3PH DISTRIBUTION TRANSFORMER
NAMEPLATE INFORMATION

NO.	DATE	BY	REVISION	SCALE:
2	21/07/16	PP	EDB UPDATE	DES: LCEN
1	20/03/17	PP	SEISMIC UPDATE	DATE: 18/05/14
				NTS

SHEET 1 OF 3

EDB SH3U0112KB3S

2.0 httpd 2026/05/12 11:04

POWER SOLUTIONS
Guelph, ONT Compton, CA
Hyderabad, IN

hammond HPS Sentinel™ H
DRY TYPE HARMONIC MITIGATING TRANSFORMER
TRANSFORMATEUR À SEC POUR MITIGATION D'HARMONIQUES
Baraboo, WI Monterrey, MX
Part No. SH3U0112KB3S

Cust. Ref. [] Serial No. []
Ref. du Client [] No. de Serie []

Phase 3 Model []

Type K HV/HT 480YV

Cooling Refroidissement ANN Term Bornes H1 H2 H3

kVA 112.5 LV/BT 208Z/120V

Temp. Rise Echauffement 150 °C Term Bornes X1 X2 X3

Temp Class Classe Temp 220 °C Neutral X0(200%)

Winding Enroulement AL Energy Regulations DOE 10 CFR PART 431:2016

Frequency Fréquence Hz 60 Reglements de Energetique CEE ACT SOR/2018-201

Impedance % @ 170 °C 4.3 Z₀ 0.95 MAX

Encl Type Type De Coffrage 3R Number of Secondaries []

Weight Poids lbs 1100

SPACINGS BETWEEN ANY VENTILATED ENCLOSURE PANEL AND ANY ADJACENT WALL SHALL BE A MINIMUM OF 5 INCHES EXCEPT WHEN WALL MOUNTED USING APPROVED WALL MOUNTING KIT ELECTROSTATIC SHIELD

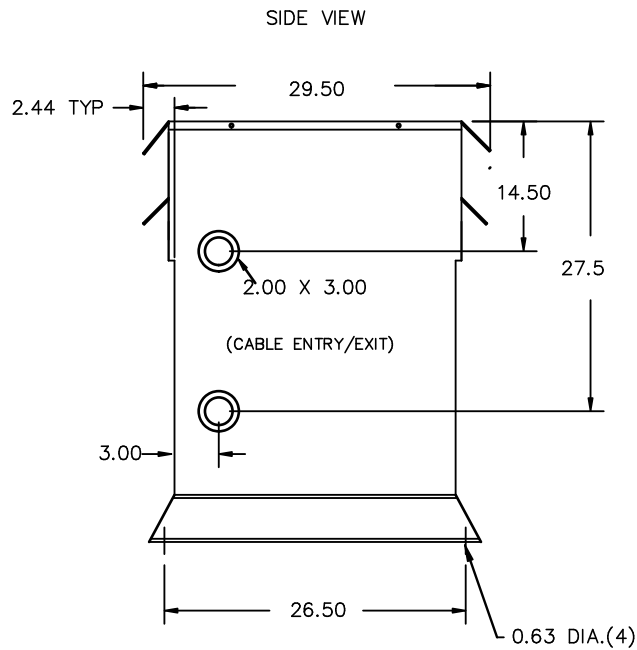
VOLTS	CURRENT COURANT	% RATED VOLTAGE /% TENSION NOMINALE	CONNECTIONS CONNECTIONS PAR PHASE
504	129	105	1
492	132	102.5	2
480	135	100	3
468	139	97.5	4
456	142	95	5
444	146	92.5	6
432	150	90	7

SEISMIC QUALIFICATIONS:
AS FLOOR MOUNT ONLY
IBC 2018/ASCE 7-16
SDS<=2.0g Z/n=1 Ip=1.5

d000190hb



All Dimensions in inches



ENCLOSURE COLOR :ANSI 61 GREY – OUTDOOR

HV TERMINAL DETAIL

LV TERMINAL DETAIL

MECHANICAL TYPE LUGS INCLUDED
SUITABLE FOR 350MCM-6 CU/AL
CONDUCTORS
1 CONDUCTOR PER PHASE

MECHANICAL TYPE LUGS INCLUDED
SUITABLE FOR 350MCM-6 CU/AL
CONDUCTORS
2 CONDUCTORS PER PHASE

CUSTOMER NOTES:

- HV TERMINATED AT BOTTOM FRONT
- LV TERMINATED AT TOP FRONT
- XO(200%) NEUTRAL
- XO COMES WITH 2 LUGS (DIVIDE CABLES EVENLY AMONG BOTH),



TITLE: 3PH DISTRIBUTION TRANSFORMER

2	21/07/16	PP	EDB UPDATE	DES: LCEN
1	20/03/17	PP	SEISMIC UPDATE	DATE: 18/05/14
NO.	DATE	BY	REVISION	SCALE: NTS

SHEET 2 OF 3

EDBSH3U0112KB3S



NOTE:
 WHEN BOTTOM CABLE ENTRY IS OPTED, THE SPACE USED FOR CONDUITS IN THE FRONT OF THE TRANSFORMER SHOULD NOT OBSTRUCT MORE THAN 50% OF THE FRONT AIR INTAKE AREA DEFINED BETWEEN THE BOTTOM PLATE AND THE SUPPORTING LEGS.
 SEE MANUAL FOR ADDITIONAL INFORMATION



TITLE: 3PH DISTRIBUTION TRANSFORMER
 ENCLOSURE BOTTOM VIEW

2	21/07/16	PP	EDB UPDATE	DES: LCEN
1	20/03/17	PP	SEISMIC UPDATE	DATE: 18/05/14
NO.	DATE	BY	REVISION	SCALE: NTS

SHEET 3 OF 3

EDB SH3U0112KBS3S