



TITLE: 3PH DISTRIBUTION TRANSFORMER
NAMEPLATE INFORMATION


3	21/11/25	CS	NPL IMPEDANCE AND WEIGHT UPDATE	DES: LCEN
2	21/07/16	PP	EDB UPDATE	DATE: 19/01/25
NO.	DATE	BY	REVISION	SCALE: NTS

SHEET 1 OF 3

EDB3H3U0075PB3S

3.1 httpd 2026/04/03 04:07

THIS DRAWING CONTAINS STRICTLY CONFIDENTIAL INFORMATION BELONGING TO HAMMOND POWER SOLUTIONS AND MUST NOT BE DISTRIBUTED OUTSIDE AUTHORIZED PARTIES.



POWER SOLUTIONS

Guelph, ONT Compton, CA Hyderabad, IN

hammond HPS Sentinel™ H

DRY TYPE HARMONIC MITIGATING TRANSFORMER

TRANSFORMATEUR À SEC POUR MITIGATION D'HARMONIQUES

Part No. SH3U0075PB3S

Serial No. [] No. de Serie []

Phase 3

Type K

Cooling Refroidissement ANN

kVA 75

Temp. Rise Echauffement 150 °C

Temp Class Classe Temp 220 °C

Winding Enroulement AL

Frequency Fréquence Hz 60

Impedance % Impédance % @ 170 °C 5.1

Encl Type Type De Coffrage 3R

Weight lbs/kg Poids 750/341

Baraboo, WI Monterrey, MX

DRY TYPE TRANSFORMER 8 03423 13515 7

ALSO VERIFIED IN ACCORDANCE TO ENERGY STANDARD CROZ-18 E1123.13 BY UNDERMETERS LABORATORIES INC. 316

LISTED

SPACINGS BETWEEN ANY VENTILATED ENCLOSURE PANEL AND ANY ADJACENT WALL SHALL BE A MINIMUM OF 3 INCHES ELECTROSTATIC SHIELD

VOLTS	CURRENT COURANT	% RATED VOLTAGE % TENSION NOMINALE	CONNECTION CONNECTION CONNECTION PAR PHASE
630	68.7	105	1
615	70.4	102.5	2
600	72.2	100	3
585	74.0	97.5	4
570	76.0	95	5
555	78.0	92.5	6
540	80.2	90	7

DOE 10 CFR PART 431:2016

CEE ACT SOR/2018-201

0.95 MAX

H1 34
H2 56
H3

SENTINEL H

ANGULAR DISPLACEMENT

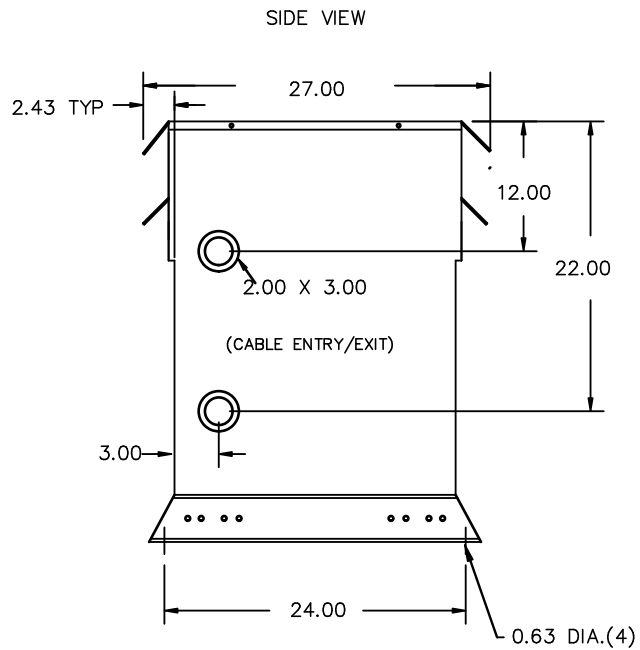
-30°

SEISMIC QUALIFICATIONS:
AS FLOOR MOUNT ONLY
IBC 2018/ASCE 7-16
SDS<=2.0g Z/n=1 Ip=1.5

d000190hb



All Dimensions in inches



ENCLOSURE COLOR :ANSI 61 GREY – OUTDOOR

HV TERMINAL DETAIL

LV TERMINAL DETAIL

X0 TERMINAL DETAIL

MECHANICAL TYPE LUGS INCLUDED
SUITABLE FOR 250MCM-6 CU/AL
CONDUCTORS
1 CONDUCTOR PER PHASE

MECHANICAL TYPE LUGS INCLUDED
SUITABLE FOR 600MCM-2 CU/AL
CONDUCTORS
1 CONDUCTOR PER PHASE

MECHANICAL TYPE LUGS INCLUDED
SUITABLE FOR 600MCM-2 CU/AL
CONDUCTORS
2 CONDUCTORS PER PHASE

CUSTOMER NOTES:

- HV TERMINATED AT BOTTOM FRONT
- LV TERMINATED AT TOP FRONT
- X0 TERMINATED AT TOP FRONT
- 200% RATED NEUTRAL X0 HAS QTY 2 LUGS



TITLE: 3PH DISTRIBUTION TRANSFORMER

3	21/11/25	CS	NPL IMPEDANCE AND WEIGHT UPDATE	DES: LCEN
2	21/07/16	PP	EDB UPDATE	DATE: 19/01/25
NO.	DATE	BY	REVISION	SCALE: NTS

SHEET 2 OF 3

EDBSH3U0075PB3S

ENCLOSURE BOTTOM VIEW



NOTE:
 WHEN BOTTOM CABLE ENTRY IS OPTED, THE SPACE USED FOR CONDUITS IN THE FRONT OF THE TRANSFORMER SHOULD NOT OBSTRUCT MORE THAN 50% OF THE FRONT AIR INTAKE AREA DEFINED BETWEEN THE BOTTOM PLATE AND THE SUPPORTING LEGS.
 SEE MANUAL FOR ADDITIONAL INFORMATION



TITLE: 3PH DISTRIBUTION TRANSFORMER
 ENCLOSURE BOTTOM VIEW

3	21/11/25	CS	NPL IMPEDANCE AND WEIGHT UPDATE	DES: LCEN
2	21/07/16	PP	EDB UPDATE	DATE: 19/01/25
NO.	DATE	BY	REVISION	SCALE: NTS

SHEET 3 OF 3

EDBSH3U0075PB3S