




TITLE: 3PH DISTRIBUTION TRANSFORMER
NAMEPLATE INFORMATION

3	21/11/25	CS	NPL IMPEDANCE AND WEIGHT UPDATE	DES: LCEN
2	21/07/16	PP	EDB UPDATE	DATE: 18/05/11
NO.	DATE	BY	REVISION	SCALE: NTS

SHEET 1 OF 3

EDB SH3U0075KB3S

3.0 httpd 2026/06/03 10:53



POWER SOLUTIONS

Guelph, ONT Compton, CA
Hyderabad, IN Compton, CA Monterrey, MX

hammond HPS Sentinel™ H

DRY TYPE HARMONIC MITIGATING TRANSFORMER
TRANSFORMATEUR À SEC POUR MITIGATION D'HARMONIQUES

Part No. SH3U0075KB3S

Serial No. [] No. de Serie []

Phase 3 Model K

Type HV/HT 480YV

Cooling Refroidissement ANN Term Bornes H1 H2 H3

kVA 75 LV/BT 208Z/120V

Temp. Rise Echauffement 150 °C Term Bornes X1 X2 X3

Temp Class Classe Temp 220 °C Neutral X0(200%)

Winding Enroulement AL Energy Regulations DOE 10 CFR PART 431:2016

Frequency Fréquence Hz 60 CEE ACT SOR/2018-201

Impedance % @ 170 °C 5 Z0 0.95 MAX

Encl Type Type De Coiffage 3R Number of Secondaries []

Weight Poids lbs 750

SPACINGS BETWEEN ANY VENTILATED ENCLOSURE PANEL AND ANY ADJACENT WALL SHALL BE A MINIMUM OF 3 INCHES
ESPACEMENTS ENTRE TOUTES LES PAROIS D'UNE ENCEINTE AEREE ET LES MURS ADJACENTS DOIVENT ÊTRE D'AU MOINS 3 POUCES

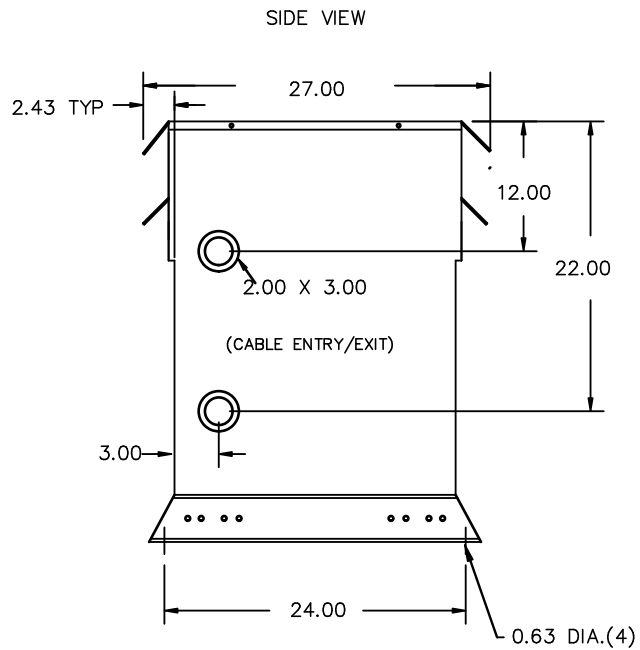
VOLTS	CURRENT COURANT	% RATED VOLTAGE / % TENSION NOMINALE	CONNECTIONS / CONNECTIONS PAR PHASE
504	85.9	105	1
492	88.0	102.5	2
480	90.2	100	3
468	92.5	97.5	4
456	95.0	95	5
444	97.5	92.5	6
432	100.2	90	7

SEISMIC QUALIFICATIONS:
AS FLOOR MOUNT ONLY
IBC 2018/ASCE 7-16
SDS<=2.0g Z/n=1 Ip=1.5

000190hb



All Dimensions in inches



ENCLOSURE COLOR :ANSI 61 GREY – OUTDOOR

HV TERMINAL DETAIL

LV TERMINAL DETAIL

MECHANICAL TYPE LUGS INCLUDED
SUITABLE FOR #2/0-14 CU/AL
CONDUCTORS
1 CONDUCTOR PER PHASE

MECHANICAL TYPE LUGS INCLUDED
SUITABLE FOR 600MCM-2 CU/AL
CONDUCTORS
1 CONDUCTOR PER PHASE

CUSTOMER NOTES:

- HV TERMINATED AT BOTTOM FRONT
- LV TERMINATED AT TOP FRONT
- 200% RATED NEUTRAL XO HAS QTY 2 LUGS



TITLE: 3PH DISTRIBUTION TRANSFORMER

3	21/11/25	CS	NPL IMPEDANCE AND WEIGHT UPDATE	DES: LCEN
2	21/07/16	PP	EDB UPDATE	DATE: 18/05/11
NO.	DATE	BY	REVISION	SCALE: NTS

SHEET 2 OF 3

EDBSH3U0075KB3S

ENCLOSURE BOTTOM VIEW



NOTE:
 WHEN BOTTOM CABLE ENTRY IS OPTED, THE SPACE USED FOR CONDUITS IN THE FRONT OF THE TRANSFORMER SHOULD NOT OBSTRUCT MORE THAN 50% OF THE FRONT AIR INTAKE AREA DEFINED BETWEEN THE BOTTOM PLATE AND THE SUPPORTING LEGS.
 SEE MANUAL FOR ADDITIONAL INFORMATION



TITLE: 3PH DISTRIBUTION TRANSFORMER
 ENCLOSURE BOTTOM VIEW

3	21/11/25	CS	NPL IMPEDANCE AND WEIGHT UPDATE	DES: LCEN
2	21/07/16	PP	EDB UPDATE	DATE: 18/05/11
NO.	DATE	BY	REVISION	SCALE: NTS

SHEET 3 OF 3

EDBSH3U0075KB3S