



TITLE: 3PH DISTRIBUTION TRANSFORMER  
NAMEPLATE INFORMATION


DES:	LCEN
DATE:	22/01/10
SCALE:	NTS

SHEET 1 OF 3

EDBSH3U0045PB3S

0.0 httpd 2026/04/03 17:54

THIS DRAWING CONTAINS STRICTLY CONFIDENTIAL INFORMATION BELONGING TO HAMMOND POWER SOLUTIONS AND MUST NOT BE DISTRIBUTED OUTSIDE AUTHORIZED PARTIES.



**POWER SOLUTIONS**


Guelph, ONT Compton, CA Hyderabad, IN

**HPS Sentinel™ H**

DRY TYPE HARMONIC MITIGATING TRANSFORMER

TRANSFORMATEUR À SEC POUR MITIGATION D'HARMONIQUES

Part No. SH3U0045PB3S



LR 3902

DRY TYPE TRANSFORMER E112313

ALSO VERIFIED IN ACCORDANCE TO ENERGY STANDARD CROZ-18 BY UNDERWITERS LABORATORIES INC. © 306

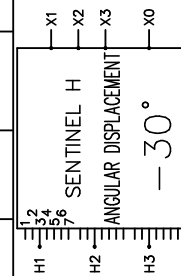
**LISTED**

Cust. Ref. Ref. du Client	Serial No. No. de Serie	Phase	Model	Type	HV/HT	Cooling Refroidissement	Term Bornes	kVA	LV/BT	Temp. Rise Echauffement	Term Bornes	Temp Class Classe Temp	Neutral	Winding Enroulement	Energy Regulations	Frequency Frequence Hz	Impedance % @ 170 °C	Z <sub>0</sub>	Encl Type Type De Coffrage	Number of Secondaries	Weight Poids	lbs/kg
		3	K	ANN	600YV	45	H1 H2 H3	150 °C	208Z/120V	220 °C	X1 X2 X3	X0(200%)		AL	DOE 10 CFR PART 431:2016	60	4.1		3R	531/241		

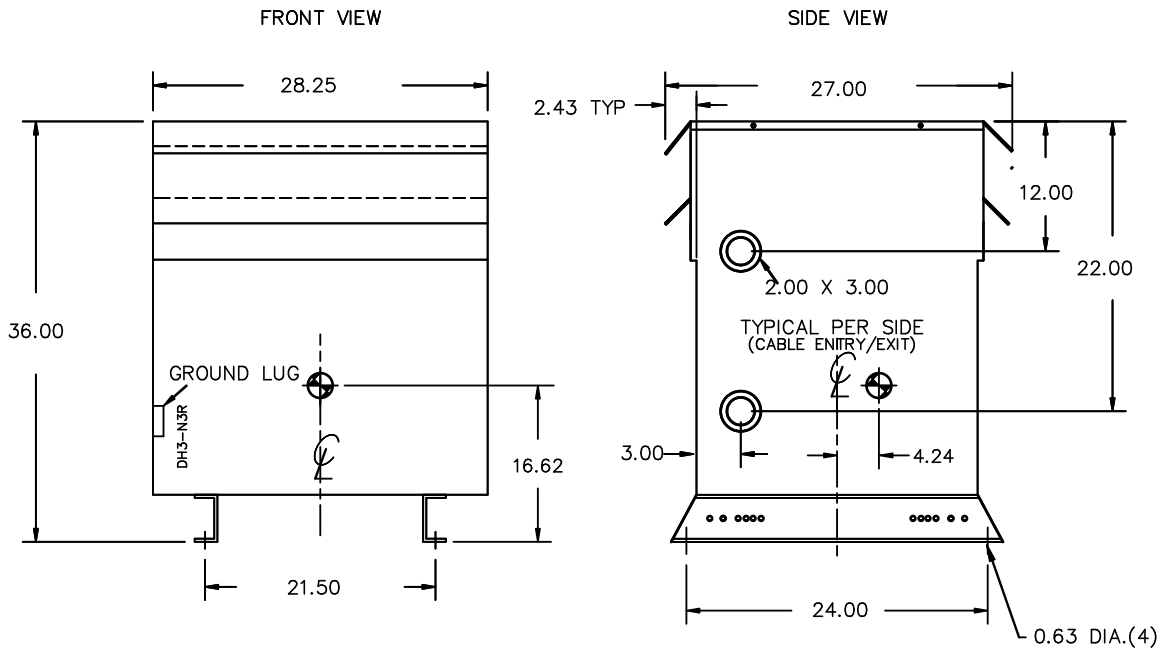
VOLTS	CURRENT COURANT	% RATED VOLTAGE % NOMINALE	CONNECTION THE CONNECTION PAR PHASE
630	41.2	105	1
615	42.2	102.5	2
600	43.3	100	3
585	44.4	97.5	4
570	45.6	95	5
555	46.8	92.5	6
540	48.1	90	7

SEISMIC QUALIFICATIONS:  
AS FLOOR MOUNT ONLY  
IBC 2018/ASCE 7-16  
SDS<=2.0g Z/n=1 Ip=1.5

SPACINGS BETWEEN ANY VENTILATED ENCLOSURE PANEL AND ANY ADJACENT WALL SHALL BE A MINIMUM OF 3 INCHES ELECTROSTATIC SHIELD



d000190hb



All Dimensions in inches

ENCLOSURE COLOR :ANSI 61 GREY – OUTDOOR

HV TERMINAL DETAIL

LV TERMINAL DETAIL

MECHANICAL TYPE LUGS INCLUDED  
SUITABLE FOR #14-2 CU/AL  
CONDUCTORS  
1 CONDUCTOR PER PHASE

MECHANICAL TYPE LUGS INCLUDED  
SUITABLE FOR 600MCM-2 CU/AL  
CONDUCTORS  
1 CONDUCTOR PER PHASE

CUSTOMER NOTES:

- HV TERMINATED AT TOP FRONT
- LV TERMINATED AT BOTTOM FRONT

THIS DRAWING CONTAINS STRICTLY CONFIDENTIAL INFORMATION BELONGING TO HAMMOND POWER SOLUTIONS AND MUST NOT BE DISTRIBUTED OUTSIDE AUTHORIZED PARTIES.



TITLE: 3PH DISTRIBUTION TRANSFORMER

DES:	LCEN
DATE:	22/01/10
SCALE:	NTS

NO.	DATE	BY	REVISION

SHEET 2 OF 3

EDBSH3U0045PB3S

0.0 httpd 2026/04/03 17:54

ENCLOSURE BOTTOM VIEW



NOTE:  
 WHEN BOTTOM CABLE ENTRY IS OPTED, THE SPACE USED FOR CONDUITS IN THE FRONT OF THE TRANSFORMER SHOULD NOT OBSTRUCT MORE THAN 50% OF THE FRONT AIR INTAKE AREA DEFINED BETWEEN THE BOTTOM PLATE AND THE SUPPORTING LEGS.  
 SEE MANUAL FOR ADDITIONAL INFORMATION



TITLE: 3PH DISTRIBUTION TRANSFORMER  
 ENCLOSURE BOTTOM VIEW

				DES: LCEN
				DATE: 22/01/10
NO.	DATE	BY	REVISION	SCALE: NTS

SHEET 3 OF 3

EDBSH3U0045PB3S