



TITLE: 3PH DISTRIBUTION TRANSFORMER
NAMEPLATE INFORMATION

| | | | | |
|-----|------|----|----------|----------------|
| NO. | DATE | BY | REVISION | DES: LCEN |
| | | | | DATE: 26/03/11 |
| | | | | SCALE: NTS |

SHEET 1 OF 3

EDBSH3T0750KB3K

POWER SOLUTIONS

Guelph, ONT Compton, CA
Hyderabad, IN

HPS Sentinel™ H

DRY TYPE HARMONIC MITIGATING TRANSFORMER

TRANSFORMATEUR À SEC POUR MITIGATION D'HARMONIQUES

Part No. SH3T0750KB3K

LR 3902

DRY TYPE TRANSFORMER E112313 ALSO VERIFIED IN ACCORDANCE TO ENERGY STANDARD CB02.2-12

LISTED

SPACINGS BETWEEN ANY VENTILATED ENCLOSURE PANEL AND ANY ADJACENT WALL SHALL BE A MINIMUM OF 12 INCHES ELECTROSTATIC SHIELD VOLTAGE ERROR +/-2%

| | | | | | | | | | | |
|-------------------------------|----------------------------|-------|-------|-------|-------------|-----------|-------------|---------|--------------------|--------------------------|
| Cust. Ref. Ref. du Client | Serial No. No. de Serie | Phase | Model | HV/HT | Term Bornes | LV/BT | Term Bornes | Neutral | Energy Regulations | DOE 10 CFR PART 431:2016 |
| | | 3 | K | 480V | H1 H2 H3 | 208Z/120V | X1 X2 X3 | Neutral | CU | CEE ACT SOR/2011-182 |
| Type | | | | | | | | | | 60 |
| Cooling Refrondissement | | | | | | | | | | 6.8 |
| kVA | | | | | | | | | | 3R |
| Temp. Rise Echauffement | 150 °C | | | | | | | | | 6050/2745 |
| Temp Class Classe Temp | 220 °C | | | | | | | | | |
| Winding Enroulement | | | | | | | | | | |
| Frequency Frequence Hz | | | | | | | | | | |
| Impedance % Z ₀ | | | | | | | | | | |
| Encl Type Type De Coffrage | | | | | | | | | | |
| Weight lbs/kg Poids | | | | | | | | | | |

| VOLTS | CURRENT COURANT | % RATED VOLTAGE % NOMINALE | CONNECTION LINES CONNECTION PAR PHASE |
|-------|--------------------|----------------------------------|--|
| 504 | 859 | 105 | 1-2 |
| 492 | 880 | 102.5 | 1-2 |
| 480 | 902 | 100 | 2-3 |
| 468 | 925 | 97.5 | 3-4 |
| 456 | 950 | 95 | 4-5 |
| 444 | 975 | 92.5 | 5-6 |
| 432 | 1002 | 90 | 6-7 |

H1 H2 H3

SENTINEL H

ANGULAR DISPLACEMENT

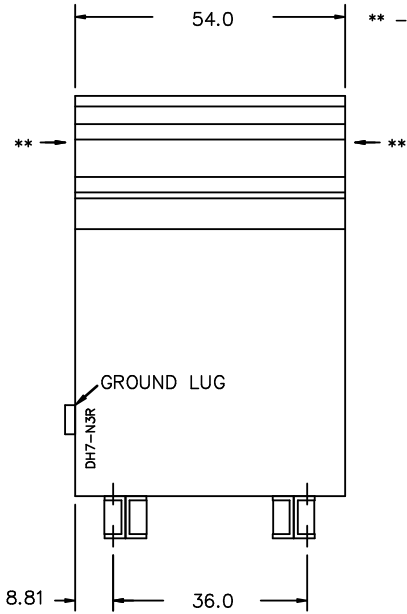
X1 X2 X3 X0

0°

SEISMIC QUALIFICATIONS:
AS FLOOR MOUNT ONLY
IBC 2018/ASCE 7-16
SDS<=2.0g Z/n=0 Ip=1.5

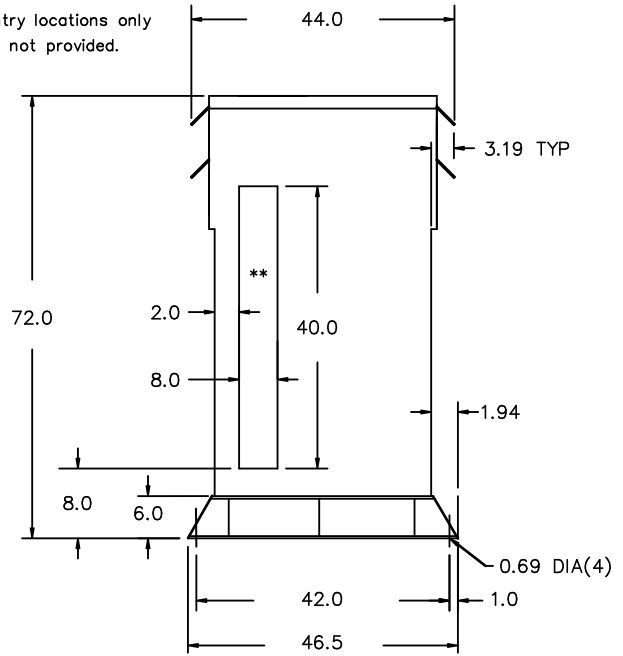
d000190hb

FRONT VIEW



** - Recommended cable entry locations only
cutouts & gland plates not provided.

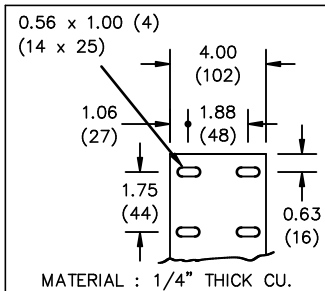
SIDE VIEW



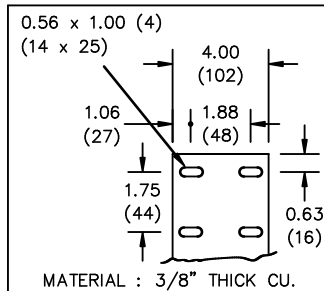
All Dimensions in inches

ENCLOSURE COLOR : ANSI 61 GREY - OUTDOOR

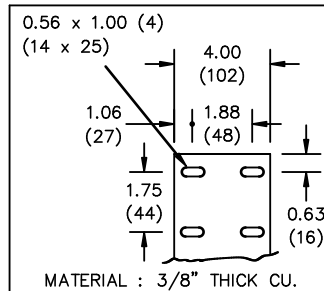
HV TERMINAL DETAIL



LV TERMINAL DETAIL



XO TERMINAL DETAIL



CUSTOMER NOTES:

- HV TERMINATED AT TOP FRONT
- LV TERMINATED AT BOTTOM FRONT
- XO TERMINATED AT BOTTOM FRONT
- (2) XO PADS - DISTRIBUTE CABLES EVENLY AMONG BOTH



TITLE: 3PH DISTRIBUTION TRANSFORMER

| | |
|--------|----------|
| DES: | LCEN |
| DATE: | 26/03/11 |
| SCALE: | NTS |

| NO. | DATE | BY | REVISION |
|-----|------|----|----------|
| | | | |

SHEET 2 OF 3

EDBSH310750KB3K

ENCLOSURE BOTTOM VIEW



NOTE:
 WHEN BOTTOM CABLE ENTRY IS OPTED, THE SPACE USED FOR CONDUITS IN THE FRONT OF THE TRANSFORMER SHOULD NOT OBSTRUCT MORE THAN 50% OF THE FRONT AIR INTAKE AREA DEFINED BETWEEN THE BOTTOM PLATE AND THE SUPPORTING LEGS.
 SEE MANUAL FOR ADDITIONAL INFORMATION



TITLE: 3PH DISTRIBUTION TRANSFORMER

| | | | | |
|-----|------|----|----------|----------------|
| | | | | DES: LCEN |
| | | | | DATE: 26/03/11 |
| NO. | DATE | BY | REVISION | SCALE: NTS |

SHEET 3 OF 3

EDBSH310750K3K