



TITLE: 3PH DISTRIBUTION TRANSFORMER
NAMEPLATE INFORMATION


NO.	DATE	BY	REVISION	SCALE:
2	21/07/16	PP	EDB UPDATE	DES: LCEN
1	20/03/17	PP	SEISMIC UPDATE	DATE: 18/03/26
				NTS

SHEET 1 OF 3

EDB SH3T0300KB3K

2.0 httpd 2026/04/04 19:26

THIS DRAWING CONTAINS STRICTLY CONFIDENTIAL INFORMATION BELONGING TO HAMMOND POWER SOLUTIONS AND MUST NOT BE DISTRIBUTED OUTSIDE AUTHORIZED PARTIES.



POWER SOLUTIONS

Guelph, ONT Compton, CA
Hyderabad, IN Compton, CA Monterrey, MX

hammond HPS Sentinel™ H

DRY TYPE HARMONIC MITIGATING TRANSFORMER

TRANSFORMATEUR À SEC POUR MITIGATION D'HARMONIQUES

Part No. SH3T0300KB3K

Serial No. [] No. de Serie []

Model [3] HV/HT [480V]

Term Bornes [ANN H1 H2 H3]

LV/BT [300 208Z/120V]

Temp. Rise Echauffement [150 °C] X1 X2 X3

Temp Class Classe Temp [220 °C] X0(200% NEUTRAL)

Winding Enroulement [CU] Energy Regulations [DOE 10 CFR PART 431:2016]

Frequency Fréquence Hz [60] CEE ACT SOR/2018-201

Impedance % Impédance % [5.0] Z₀ [1.0 MAX]

Encl Type Type De Coffrage [3R] Number of Secondaries [2550]

Weight Poids [] lbs

VOLTS	CURRENT COURANT	% RATED VOLTAGE / % TENSION NOMINALE	CONNECTION CONNECTION PAR PHASE
504	344	105	1
492	352	102.5	2
480	361	100	3
468	370	97.5	4
456	380	95	5
444	390	92.5	6
432	401	90	7

SEISMIC QUALIFICATIONS:
AS FLOOR MOUNT ONLY
IBC 2018/ASCE 7-16
SDS<=2.0g Z/n=0 Ip=1.5

SPACINGS BETWEEN ANY VENTILATED ENCLOSURE PANEL AND ANY ADJACENT WALL SHALL BE A MINIMUM OF 5 INCHES EXCEPT WHEN WALL MOUNTED USING APPROVED WALL MOUNTING KIT ELECTROSTATIC SHIELD. VOLTAGE TOLERANCE WITHIN +-0.77%

LISTED

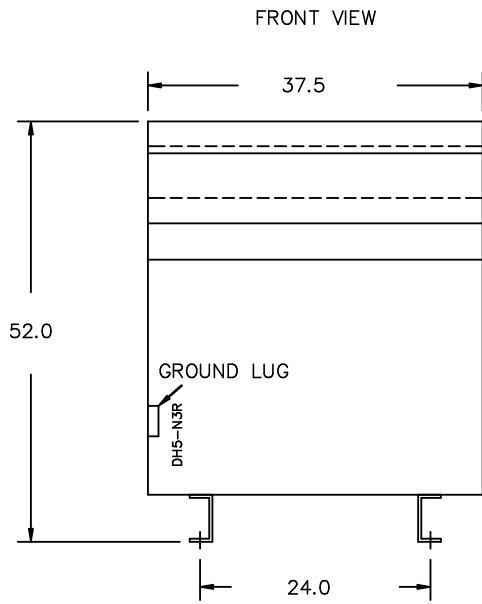
UL E112313

DRY TYPE TRANSFORMER 8 03423 13530 0

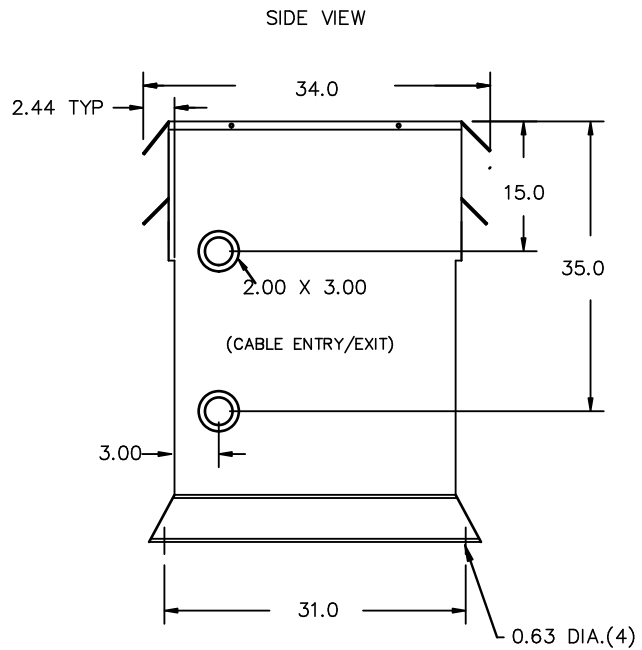
ALSO VERIFIED IN ACCORDANCE TO ENERGY STANDARD CRO22-18 BY UNDERMILLERS LABORATORIES INC. © 316

SP @ LR 3902

d000190hb

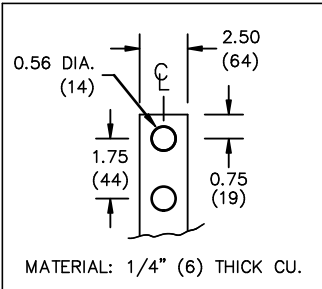


All Dimensions in inches

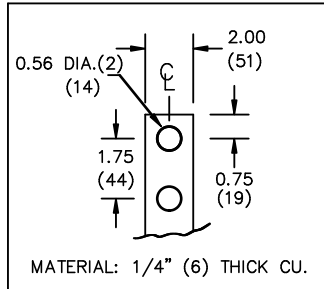


ENCLOSURE COLOR :ANSI 61 GREY – OUTDOOR

H.V.1. TERMINAL DETAIL



L.V.1. TERMINAL DETAIL



CUSTOMER NOTES:

- HV1 TERMINATED AT BOTTOM FRONT
- LV1 TERMINATED AT TOP FRONT
- 200% RATED NEUTRAL, TERMINATED AT TOP FRONT



TITLE: 3PH DISTRIBUTION TRANSFORMER

2	21/07/16	PP	EDB UPDATE	DES: LCEN
1	20/03/17	PP	SEISMIC UPDATE	DATE: 18/03/26
NO.	DATE	BY	REVISION	SCALE: NTS

SHEET 2 OF 3

EDBSH310300KBJK

ENCLOSURE BOTTOM VIEW



NOTE:
 WHEN BOTTOM CABLE ENTRY IS OPTED, THE SPACE USED FOR CONDUITS IN THE FRONT OF THE TRANSFORMER SHOULD NOT OBSTRUCT MORE THAN 50% OF THE FRONT AIR INTAKE AREA DEFINED BETWEEN THE BOTTOM PLATE AND THE SUPPORTING LEGS.
 SEE MANUAL FOR ADDITIONAL INFORMATION



TITLE: 3PH DISTRIBUTION TRANSFORMER
 ENCLOSURE BOTTOM VIEW

2	21/07/16	PP	EDB UPDATE	DES: LCEN
1	20/03/17	PP	SEISMIC UPDATE	DATE: 18/03/26
NO.	DATE	BY	REVISION	SCALE: NTS

SHEET 3 OF 3

EDB SH 310300K B3K