



TITLE: 3PH DISTRIBUTION TRANSFORMER
NAMEPLATE INFORMATION

| | | | | |
|-----|----------|----|----------------|----------------|
| 2 | 21/07/16 | PP | EDB UPDATE | DES: DCORTEZ |
| 1 | 20/03/17 | PP | SEISMIC UPDATE | DATE: 18/07/06 |
| NO. | DATE | BY | REVISION | SCALE: NTS |

SHEET 1 OF 3

EDBSH3T0112PB3K

2.0 httpd 2026/06/03 18:30

THIS DRAWING CONTAINS STRICTLY CONFIDENTIAL INFORMATION BELONGING TO HAMMOND POWER SOLUTIONS AND MUST NOT BE DISTRIBUTED OUTSIDE AUTHORIZED PARTIES.

POWER SOLUTIONS
Guelph, ONT Compton, CA
Hyderabad, IN

hammond HPS Sentinel™ H
DRY TYPE HARMONIC MITIGATING TRANSFORMER
TRANSFORMATEUR À SEC POUR MITIGATION D'HARMONIQUES
Baraboo, WI
Monterrey, MX Part No. SH3T0112PB3K

| | | | | | | | | | |
|------------------------------|----------------------------|-------------------------------|--------|---------------------------|-------------|-------------------------------|-------------|-----------------------|--------------------------|
| Cust. Ref. Ref. du Client | Serial No. No. de Serie | Phase | Model | HV/HT | Term Bornes | LV/BT | Term Bornes | Neutral | |
| | 3 | K | ANN | 600V | H1 H2 H3 | 208Z/120V | X1 X2 X3 | X0(200%) | |
| Type | 112.5 | Temp. Rise Echauffement | 150 °C | Temp Class Classe Temp | 220 °C | Winding Enroulement | CU | Energy Regulations | DOE 10 CFR PART 431:2016 |
| Cooling Refrondissement | ANN | Frequency Hz | 60 | Reglements Energétique | 60 | Impedance % Z ₀ | 0.95 MAX | CEE ACT SOR/2018-201 | |
| kVA | 112.5 | Encl Type Type De Coffrage | 3R | Number of Secondaries | 3R | Weight Poids | 1000 | | |

| VOLTS | CURRENT COURANT | % RATED VOLTAGE % NOMINALE | CONNECTION TYPE CONNECTION PAR PHASE |
|-------|--------------------|----------------------------------|---|
| 630 | 103.1 | 105 | 1 |
| 615 | 105.6 | 102.5 | 2 |
| 600 | 108.3 | 100 | 3 |
| 585 | 111 | 97.5 | 4 |
| 570 | 114 | 95 | 5 |
| 555 | 117 | 92.5 | 6 |
| 540 | 120 | 90 | 7 |

SEISMIC QUALIFICATIONS:
AS FLOOR MOUNT ONLY
IBC 2018/ASCE 7-16
SDS<=2.0g Z/n=1 Ip=1.5

SPACINGS BETWEEN ANY VENTILATED ENCLOSURE PANEL AND ANY ADJACENT WALL SHALL BE A MINIMUM OF 5 INCHES EXCEPT WHEN WALL MOUNTED USING APPROVED WALL MOUNTING KIT ELECTROSTATIC SHIELD

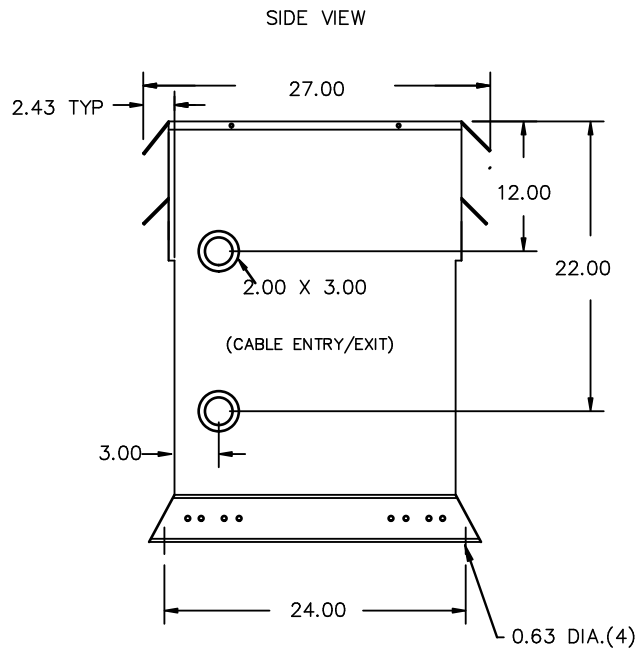
LISTED

DRY TYPE TRANSFORMER 8 03423 13538 6
ALSO VERIFIED IN ACCORDANCE TO ENERGY STANDARD C802.2-18 E1123.13 BY UNDERWITERS LABORATORIES INC. © 316

d000190hb



All Dimensions in inches



ENCLOSURE COLOR :ANSI 61 GREY – OUTDOOR

HV TERMINAL DETAIL

LV TERMINAL DETAIL

MECHANICAL TYPE LUGS INCLUDED
SUITABLE FOR 250MCM-6 CU/AL
CONDUCTORS
1 CONDUCTOR PER PHASE

MECHANICAL TYPE LUGS INCLUDED
SUITABLE FOR 350MCM-6 CU/AL
CONDUCTORS
2 CONDUCTORS PER PHASE

CUSTOMER NOTES:

- HV TERMINATED AT BOTTOM FRONT
- LV TERMINATED AT TOP FRONT
- 200% RATED NEUTRAL XO HAS TWO TERMINALS, DIVIDE CABLES EVENLY



TITLE: 3PH DISTRIBUTION TRANSFORMER

| | | | | |
|-----|----------|----|----------------|----------------|
| 2 | 21/07/16 | PP | EDB UPDATE | DES: DCORTEZ |
| 1 | 20/03/17 | PP | SEISMIC UPDATE | DATE: 18/07/06 |
| NO. | DATE | BY | REVISION | SCALE: NTS |

SHEET 2 OF 3

EDBSH3T0112PB3K

ENCLOSURE BOTTOM VIEW



NOTE:
 WHEN BOTTOM CABLE ENTRY IS OPTED, THE SPACE USED FOR CONDUITS IN THE FRONT OF THE TRANSFORMER SHOULD NOT OBSTRUCT MORE THAN 50% OF THE FRONT AIR INTAKE AREA DEFINED BETWEEN THE BOTTOM PLATE AND THE SUPPORTING LEGS.
 SEE MANUAL FOR ADDITIONAL INFORMATION



TITLE: 3PH DISTRIBUTION TRANSFORMER
 ENCLOSURE BOTTOM VIEW

| | | | | |
|-----|----------|----|----------------|----------------|
| 2 | 21/07/16 | PP | EDB UPDATE | DES: DCORTEZ |
| 1 | 20/03/17 | PP | SEISMIC UPDATE | DATE: 18/07/06 |
| NO. | DATE | BY | REVISION | SCALE: NTS |

SHEET 3 OF 3

EDBSH3T0112PB3K