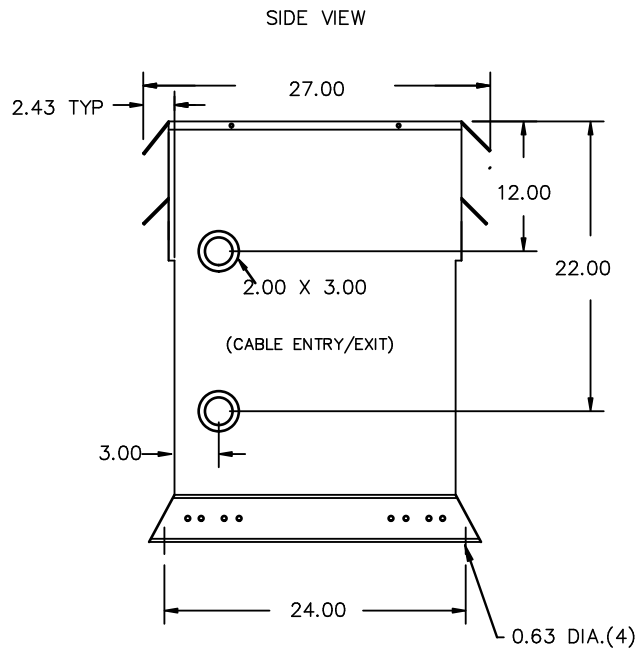




All Dimensions in inches



ENCLOSURE COLOR :ANSI 61 GREY – OUTDOOR

H.V.1. TERMINAL DETAIL

L.V.1. TERMINAL DETAIL

MECHANICAL TYPE LUGS INCLUDED
SUITABLE FOR 250MCM-6 CU/AL
CONDUCTORS
1 CONDUCTOR PER PHASE

MECHANICAL TYPE LUGS INCLUDED
SUITABLE FOR 350MCM-6 CU/AL
CONDUCTORS
2 CONDUCTORS PER PHASE

CUSTOMER NOTES:

- HV1 TERMINATED AT BOTTOM FRONT
- LV1 TERMINATED AT TOP FRONT
- X0(200% RATING)



TITLE: 3PH DISTRIBUTION TRANSFORMER

3	21/07/16	PP	EDB UPDATE	DES: LCEN
2	20/03/17	PP	SEISMIC UPDATE	DATE: 16/03/04
NO.	DATE	BY	REVISION	SCALE: NTS

SHEET 2 OF 3

EDBSH3T0112KB3K

ENCLOSURE BOTTOM VIEW



NOTE:
 WHEN BOTTOM CABLE ENTRY IS OPTED, THE SPACE USED FOR CONDUITS IN THE FRONT OF THE TRANSFORMER SHOULD NOT OBSTRUCT MORE THAN 50% OF THE FRONT AIR INTAKE AREA DEFINED BETWEEN THE BOTTOM PLATE AND THE SUPPORTING LEGS.
 SEE MANUAL FOR ADDITIONAL INFORMATION



TITLE: 3PH DISTRIBUTION TRANSFORMER

3	21/07/16	PP	EDB UPDATE	DES: LCEN
2	20/03/17	PP	SEISMIC UPDATE	DATE: 16/03/04
NO.	DATE	BY	REVISION	SCALE: NTS

SHEET 3 OF 3

EDBSH3T0112KBJK