



TITLE: 3PH DISTRIBUTION TRANSFORMER
NAMEPLATE INFORMATION

1	21/07/16	PP	EDB UPDATE	DES: CSHAH
NO.	DATE	BY	REVISION	SCALE: NTS

SHEET 1 OF 3

EDB3H3T0075PB3S

1.0 httpd 2026/06/03 18:29

THIS DRAWING CONTAINS STRICTLY CONFIDENTIAL INFORMATION BELONGING TO HAMMOND POWER SOLUTIONS AND MUST NOT BE DISTRIBUTED OUTSIDE AUTHORIZED PARTIES.

POWER SOLUTIONS
Guelph, ONT Compton, CA
Hyderabad, IN

hammond HPS Sentinel™ H
DRY TYPE HARMONIC MITIGATING TRANSFORMER
TRANSFORMATEUR À SEC POUR MITIGATION D'HARMONIQUES
Baraboo, WI Monterrey, MX
Part No. SH3T0075PB3S

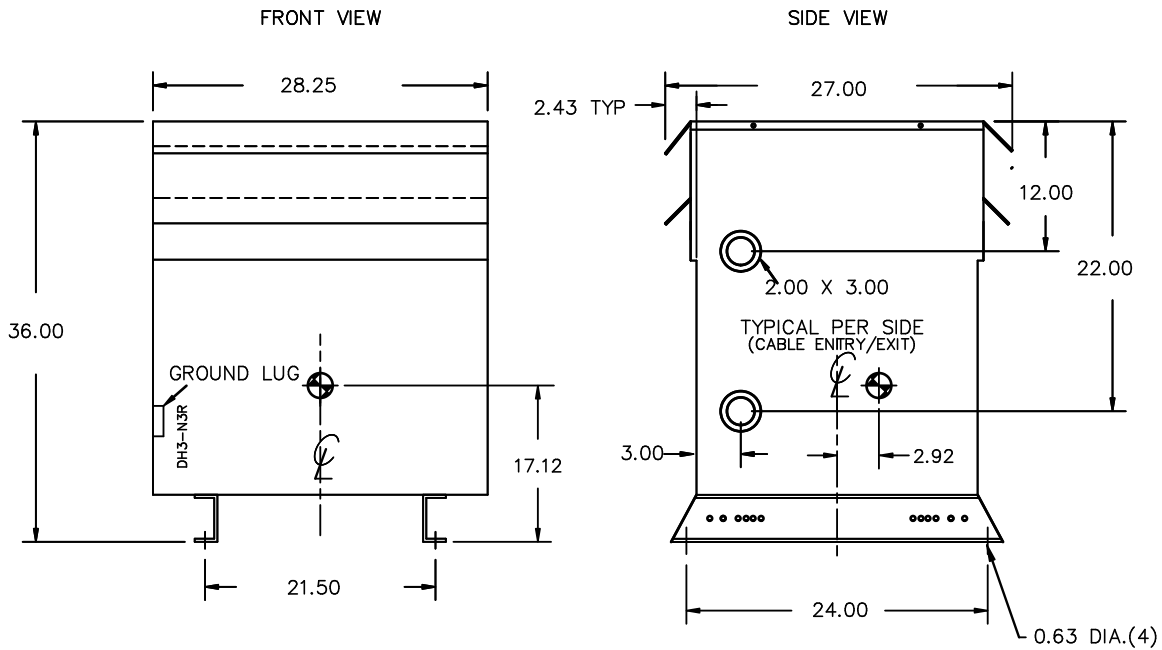
Cust. Ref. Ref. du Client	Serial No. No. de Serie	Phase	Model	HV/HT	Term Bornes	LV/BT	Term Bornes	Neutral	Energy Regulations Reglements Energetique	Frequency Hz	Impedance % Z ₀	Encl Type Type De Coffrage	Number of Secondaries	Weight Poids	lbs
		3	K	600V	H1 H2 H3	208Z/120V	X1 X2 X3	X0 (200% RATED)	DOE 10 CFR PART 431:2016	60	5.7	3R	725		

VOLTS	CURRENT COURANT	% RATED VOLTAGE % NOMINALE	CONNECTION FOR CONNECTION PAR PHASE
630	68.7	105	1
615	70.4	102.5	2
600	72.2	100	3
585	74.0	97.5	4
570	76.0	95	5
555	78.0	92.5	6
540	80.2	90	7

SPACINGS BETWEEN ANY VENTILATED ENCLOSURE PANEL AND ANY ADJACENT WALL SHALL BE A MINIMUM OF 3 INCHES
ELECTROSTATIC SHIELD

SEISMIC QUALIFICATIONS:
AS FLOOR MOUNT ONLY
IBC 2018/ASCE 7-16
SDS<=2.0g Z/n=1 Ip=1.5

d000190hb



All Dimensions in inches

ENCLOSURE COLOR :ANSI 61 GREY – OUTDOOR

HV TERMINAL DETAIL

LV TERMINAL DETAIL

X0 TERMINAL DETAIL

MECHANICAL TYPE LUGS INCLUDED
SUITABLE FOR #2/0-14 CU/AL
CONDUCTORS
1 CONDUCTOR PER PHASE

MECHANICAL TYPE LUGS INCLUDED
SUITABLE FOR 600MCM-2 CU/AL
CONDUCTORS
1 CONDUCTOR PER PHASE

MECHANICAL TYPE LUGS INCLUDED
SUITABLE FOR 600MCM-2 CU/AL
CONDUCTORS
2 CONDUCTORS PER PHASE

CUSTOMER NOTES:

- HV TERMINATED AT TOP FRONT
- LV TERMINATED AT BOTTOM FRONT
- X0 TERMINATED AT BOTTOM FRONT
- 200% RATED NEUTRAL



TITLE: 3PH DISTRIBUTION TRANSFORMER

1	21/07/16	PP	EDB UPDATE	DES: CSHAH
NO.	DATE	BY	REVISION	SCALE: NTS

SHEET 2 OF 3

EDBSH310075PB3S

ENCLOSURE BOTTOM VIEW



NOTE:
 WHEN BOTTOM CABLE ENTRY IS OPTED, THE SPACE USED FOR CONDUITS IN THE FRONT OF THE TRANSFORMER SHOULD NOT OBSTRUCT MORE THAN 50% OF THE FRONT AIR INTAKE AREA DEFINED BETWEEN THE BOTTOM PLATE AND THE SUPPORTING LEGS.
 SEE MANUAL FOR ADDITIONAL INFORMATION



TITLE: 3PH DISTRIBUTION TRANSFORMER
 ENCLOSURE BOTTOM VIEW

1	21/07/16	PP	EDB UPDATE	DES: CSHAH
NO.	DATE	BY	REVISION	SCALE: NTS

SHEET 3 OF 3

EDBSH310075PB3S