



TITLE: 3PH DISTRIBUTION TRANSFORMER  
NAMEPLATE INFORMATION

NO.	DATE	BY	REVISION	SCALE:
2	21/07/16	PP	EDB UPDATE	DES: LCEN
1	20/03/17	PP	SEISMIC UPDATE	DATE: 18/01/25
				SCALE: NTS

SHEET 1 OF 3

EDB SH310075PB3K

2.0 httpd 2026/06/19 21:20

THIS DRAWING CONTAINS STRICTLY CONFIDENTIAL INFORMATION BELONGING TO HAMMOND POWER SOLUTIONS AND MUST NOT BE DISTRIBUTED OUTSIDE AUTHORIZED PARTIES.

**hammond**  
POWER SOLUTIONS

Guelph, ONT Compton, CA  
Hyderabad, IN Compton, CA Monterrey, MX

**HPS Sentinel™ H**  
DRY TYPE HARMONIC MITIGATING TRANSFORMER  
TRANSFORMATEUR À SEC POUR MITIGATION D'HARMONIQUES

Part No. SH310075PB3K

Serial No. [ ] No. de Serie [ ]  
 Model [ ]  
 HV/HT [ ]  
 Term Bornes [ ]  
 LV/BT [ ]  
 Term Bornes [ ]  
 Neutral [ ]  
 Energy Regulations [ ]  
 Reglements Energetique [ ]  
 Z<sub>0</sub> [ ]  
 Number of Secondaries [ ]

Cust. Ref. [ ]  
 Phase [ ]  
 Type [ ]  
 Cooling Refroidissement [ ]  
 kVA [ ]  
 Temp. Rise Echauffement [ ]  
 Temp Class Classe Temp [ ]  
 Winding Enroulement [ ]  
 Frequency Fréquence Hz [ ]  
 Impedance % @ 170 °C [ ]  
 Encl Type Type De Coffrage [ ]  
 Weight Poids [ ]

VOLTS	CURRENT COURANT	% RATED VOLTAGE % NOMINALE	CONNECTION CONNECTION PAR PHASE
630	68.7	105	1
615	70.4	102.5	2
600	72.2	100	3
585	74.0	97.5	4
570	76.0	95	5
555	78.0	92.5	6
540	80.2	90	7

DOE 10 CFR PART 431:2016  
 CEE ACT SOR/2018-201  
 0.95 MAX

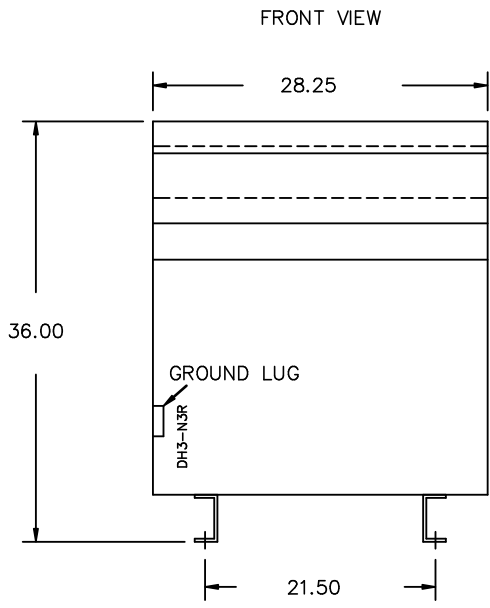
SEISMIC QUALIFICATIONS:  
 AS FLOOR MOUNT ONLY  
 IBC 2018/ASCE 7-16  
 SDS<=2.0g Z/n=1 Ip=1.5

SPACINGS BETWEEN ANY VENTILATED ENCLOSURE PANEL AND ANY ADJACENT WALL SHALL BE A MINIMUM OF 3 INCHES ELECTROSTATIC SHIELD

LISTED

DRY TYPE TRANSFORMER 8 03423 13537 19  
 ALSO VERIFIED IN ACCORDANCE TO ENERGY STANDARD C802.2-18 BY UNDERWITERS LABORATORIES INC. 3106

0000190hb



All Dimensions in inches



ENCLOSURE COLOR :ANSI 61 GREY – OUTDOOR

HV TERMINAL DETAIL

LV TERMINAL DETAIL

MECHANICAL TYPE LUGS INCLUDED  
SUITABLE FOR #2/0-14 CU/AL  
CONDUCTORS  
1 CONDUCTOR PER PHASE

MECHANICAL TYPE LUGS INCLUDED  
SUITABLE FOR 600MCM-2 CU/AL  
CONDUCTORS  
1 CONDUCTOR PER PHASE

CUSTOMER NOTES:

- HV TERMINATED AT BOTTOM FRONT
- LV TERMINATED AT TOP FRONT
- 200% RATED NEUTRAL XO HAS QTY 2 LUGS



TITLE: 3PH DISTRIBUTION TRANSFORMER				
2	21/07/16	PP	EDB UPDATE	DES: LCEN
1	20/03/17	PP	SEISMIC UPDATE	DATE: 18/01/25
NO.	DATE	BY	REVISION	SCALE: NTS

SHEET 2 OF 3  
EDBSH310075PB3K  
2.0 httpd 2026/06/19 21:20

THIS DRAWING CONTAINS STRICTLY CONFIDENTIAL INFORMATION BELONGING TO HAMMOND POWER SOLUTIONS AND MUST NOT BE DISTRIBUTED OUTSIDE AUTHORIZED PARTIES.

ENCLOSURE BOTTOM VIEW



NOTE:  
 WHEN BOTTOM CABLE ENTRY IS OPTED, THE SPACE USED FOR CONDUITS IN THE FRONT OF THE TRANSFORMER SHOULD NOT OBSTRUCT MORE THAN 50% OF THE FRONT AIR INTAKE AREA DEFINED BETWEEN THE BOTTOM PLATE AND THE SUPPORTING LEGS.  
 SEE MANUAL FOR ADDITIONAL INFORMATION



TITLE: 3PH DISTRIBUTION TRANSFORMER  
 ENCLOSURE BOTTOM VIEW

2	21/07/16	PP	EDB UPDATE	DES: LCEN
1	20/03/17	PP	SEISMIC UPDATE	DATE: 18/01/25
NO.	DATE	BY	REVISION	SCALE: NTS

SHEET 3 OF 3

EDBSH3T0075PB3K