



TITLE: 1PH DISTRIBUTION TRANSFORMER  
NAMEPLATE INFORMATION

NO.	DATE	BY	REVISION
2	21/07/16	PP	EDB UPDATE
1	20/03/17	PP	SEISMIC UPDATE
			DES: PPICASSI DATE: 17/04/27 SCALE: NTS

SHEET 1 OF 4

EDBSG3N0075LEOC

2.0 httpd 2026/06/25 23:33

THIS DRAWING CONTAINS STRICTLY CONFIDENTIAL INFORMATION BELONGING TO HAMMOND POWER SOLUTIONS AND MUST NOT BE DISTRIBUTED OUTSIDE AUTHORIZED PARTIES.

**POWER SOLUTIONS**  
Guelph, ONT  
Hyderabad, IN Compton, CA

**hammond** HPS Sentinel™ G  
Energy Efficient Distribution Transformer  
Transformateur de Distribution à Bon Rendement Énergétique

Baraboo, WI  
Monterrey, MX

Part No. SG3N0075LEOC

Cust. Ref. [ ] Serial No. [ ]  
Ref. du Client [ ] No. de Serie [ ]

Phase 1 HV/HT 240X480V 312.5/156A

Type F BIL 10 kV

Cooling Refroidissement ANN Term Bornes H1 H3 H2 H4

kVA 75 LV/BT 120/240V 625/312A

Temp. Rise Echauffement 150 °C BIL 10 kV

Temp Class Classe Temp 220 °C Term Bornes X4 X2 X3 X1

Winding Enroulement CU Energy Regulations DOE 10 CFR PART 431:2016

Frequency Fréquence Hz 60 Reglements de l'Energétique CEE ACT SOR/2018-201

Impedance % @ 170 °C 5.7

Encl. Type Type de Coffrage 3R

Weight Poids lbs 520

DRY TYPE TRANSFORMER 80034231407719  
77US ALSO REFER TO ENERGY STANDARDS CROQ 18-18 BY UNDERWRITERS LABORATORIES INC. 0148

LR 3902  
E112313 LISTED

SPACINGS BETWEEN ANY VENTILATED ENCLOSURE PANEL AND ANY ADJACENT WALL SHALL BE A MINIMUM OF 3 INCHES  
ESPACEMENTS ENTRE LES PANNEAUX DE BOTTIER VENTILE ET LES MURS ADJACENT DOIVENT ÊTRE UN MINIMUM DE 3 POUNCES

VOLTS	CURRENT COURANT	% RATED VOLTAGE % TENSION NOMINALE	CONNECTION EACH PHASE CONNECTION PAR PHASE
504	149	105	H1, H4
492	152	102.5	H1, H4
480	156	100	H1, H4
468	160	97.5	H1, H4
456	164	95	H1, H4
444	169	92.5	H1, H4
432	174	90	H1, H4
252	297.6	105	H1&H3, H2&H4
240	312.5	100	H1&H3, H2&H4
228	328.9	95	H1&H3, H2&H4
216	347.2	90	H1&H3, H2&H4

SEISMIC QUALIFICATIONS:  
AS FLOOR MOUNT ONLY  
IBC 2018/ASCE 7-16  
SDS<=2.0g Z/h=1 Ip=1.5

d000186hb

PRIMARY VOLTS	CONNECTION LINES TO	INTER-CONNECT
504	H1,H4	1-H2,2-H3,H2-H3
492	H1,H4	3-H2,2-H3,H2-H3
480	H1,H4	3-H2,4-H3,H2-H3
468	H1,H4	5-H2,4-H3,H2-H3
456	H1,H4	5-H2,6-H3,H2-H3
444	H1,H4	7-H2,6-H3,H2-H3
432	H1,H4	7-H2,8-H3,H2-H3
252	H1&H3, H2&H4	1-H2,2-H3,H1-H3,H2-H4
240	H1&H3, H2&H4	3-H2,4-H3,H1-H3,H2-H4
228	H1&H3, H2&H4	5-H2,6-H3,H1-H3,H2-H4
216	H1&H3, H2&H4	7-H2,8-H3,H1-H3,H2-H4
SECONDARY VOLTS	CONNECTION LINES TO	INTER-CONNECT
240	X1,X4	X2-X3
120	X1&X3, X2&X4	X1-X3,X2-X4
120/240	X1, X2orX3, X4	X2-X3

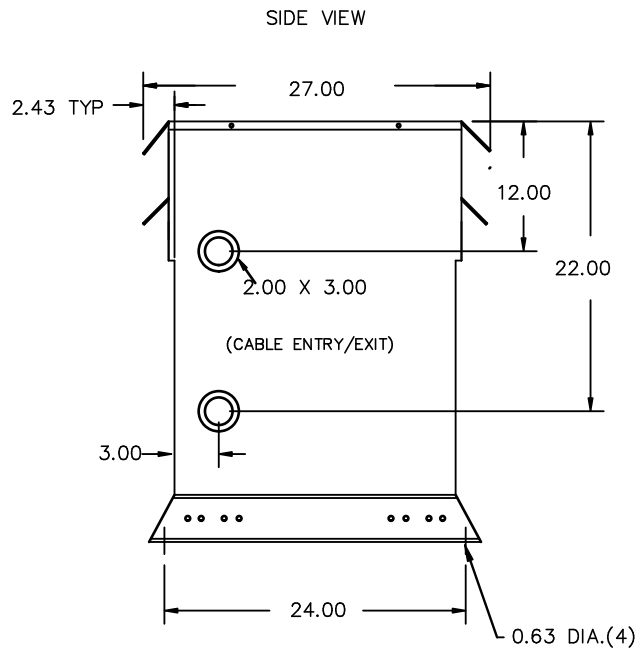
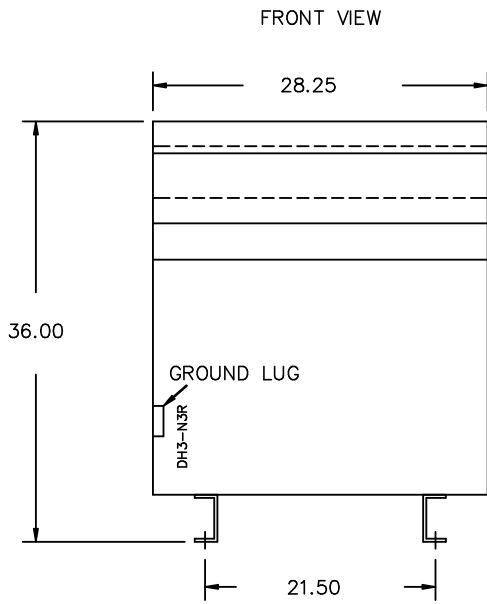


TITLE: 1PH DISTRIBUTION TRANSFORMER

2	21/07/16	PP	EDB UPDATE	DES: PPICASSI
1	20/03/17	PP	SEISMIC UPDATE	DATE: 17/04/27
NO.	DATE	BY	REVISION	SCALE: NTS

SHEET 2 OF 4

EDBSC3N0075LEOC



All Dimensions in inches

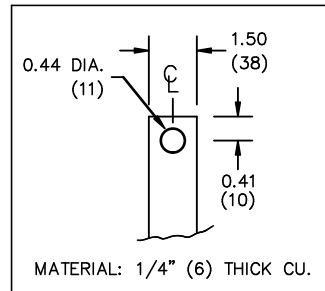
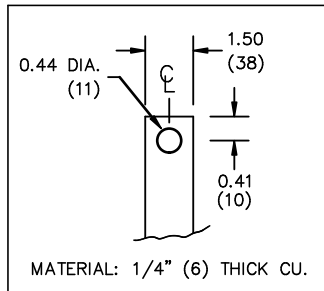
ENCLOSURE COLOR :ANSI 61 GREY – OUTDOOR

HV TERMINAL DETAIL

LV1 TERMINAL DETAIL

LV2 TERMINAL DETAIL

MECHANICAL TYPE LUGS INCLUDED  
SUITABLE FOR 350MCM-6 CU/AL  
CONDUCTORS  
1 CONDUCTOR PER PHASE



CUSTOMER NOTES:

- HV TERMINATED AT TOP FRONT
- LV1 TERMINATED AT BOTTOM FRONT
- LV2 TERMINATED AT BOTTOM FRONT



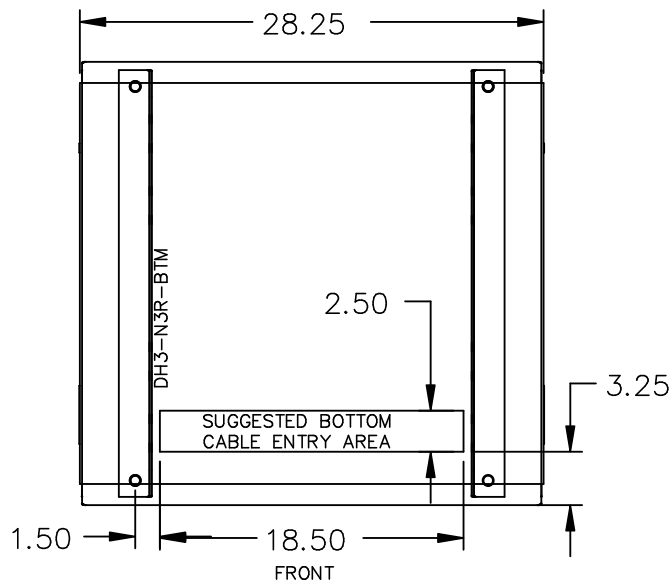
TITLE: 1PH DISTRIBUTION TRANSFORMER

2	21/07/16	PP	EDB UPDATE	DES: PPICASSI
1	20/03/17	PP	SEISMIC UPDATE	DATE: 17/04/27
NO.	DATE	BY	REVISION	SCALE: NTS

SHEET 3 OF 4

EDBSC3N0075LEOC

ENCLOSURE BOTTOM VIEW



NOTE:  
 WHEN BOTTOM CABLE ENTRY IS OPTED, THE SPACE USED FOR CONDUITS IN THE FRONT OF THE TRANSFORMER SHOULD NOT OBSTRUCT MORE THAN 50% OF THE FRONT AIR INTAKE AREA DEFINED BETWEEN THE BOTTOM PLATE AND THE SUPPORTING LEGS.  
 SEE MANUAL FOR ADDITIONAL INFORMATION



TITLE: 1PH DISTRIBUTION TRANSFORMER  
 ENCLOSURE BOTTOM VIEW

2	21/07/16	PP	EDB UPDATE	DES: PPICASSI
1	20/03/17	PP	SEISMIC UPDATE	DATE: 17/04/27
NO.	DATE	BY	REVISION	SCALE: NTS

SHEET 4 OF 4

EDBSC3N0075LEOC