



TITLE: 1PH DISTRIBUTION TRANSFORMER
NAMEPLATE INFORMATION

| | |
|--------|----------|
| DES: | LCEN |
| DATE: | 25/08/21 |
| SCALE: | NTS |

SHEET 1 OF 4

EDBSC3M0025XE

0.1 httpd 2026/06/03 18:04

POWER SOLUTIONS
Guelph, ONT
Hyderabad, IN Compton, CA

HPS Sentinel™ G
Energy Efficient Distribution Transformer
Transformateur de Distribution à Bon Rendement Énergétique

Baraboo, WI
Monterrey, MX

Part No. **SG3M0025XE**

LISTED **LR 3902**
 DRY TYPE TRANSFORMER 8003423174132 15
 ALSO LISTED TO THE ENERGY STANDARDS CODES BY UNDERWRITERS LABORATORIES INC. @ 016

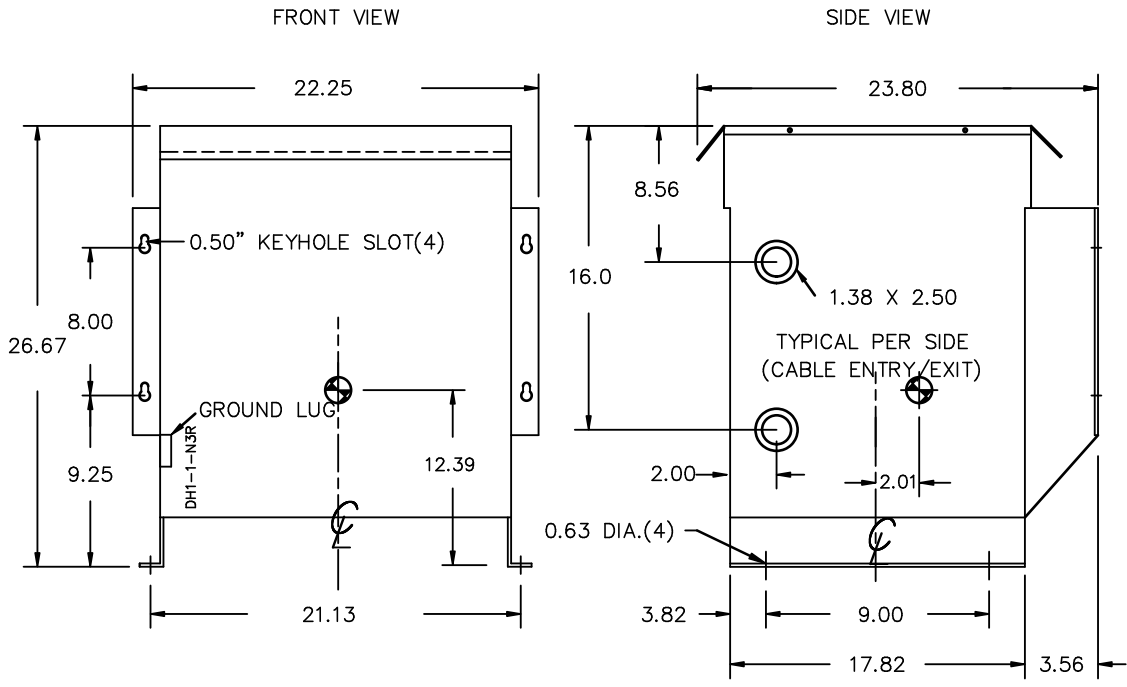
| | | | | | |
|--------------------------------|----------------------------|---------------------------------|--------------------------|----------|--|
| Cust. Ref. Ref. du Client | Serial No. No. de Serie | 220X440V | 56.8A | | |
| Phase | HV/HT | 10 kV | | | |
| Type | BIL | H1 H3 H2 H4 | | | |
| Cooling Refrondissement | Term Bornes | LV/BT | 120/240V | 208/104A | |
| kVA | 25 | 150 °C | 10 kV | | |
| Temp. Rise Échauffement | 220 °C | Term Bornes | X4 X2 X3 X1 | | |
| Temp Class Classe Temp | AL | Energy Regulations | DOE 10 CFR PART 431:2016 | | |
| Winding Enroulement | 60 | Reglements de Énergétique | CEE ACT SOR/2018-201 | | |
| Frequency Hz | 5.7 | | | | |
| Impedance % @ 170 °C | 3R | | | | |
| Encl. Type Type de Coffrage | 307/140 | | | | |
| Weight lbs/kg Poids | | | | | |

| VOLTS | CURRENT COURANT | % RATED % TENSION NOMINALE | CONNECTION EACH PHASE CONNECTION PAR PHASE |
|-------|--------------------|----------------------------------|---|
| 440 | 56.8 | SEE CHART | H1, H4 |
| 416 | 60.1 | | H1, H4 |
| 400 | 62.5 | | H1, H4 |
| 380 | 65.8 | | H1, H4 |
| 220 | 113.6 | | H1&H3, H2&H4 |
| 208 | 120.2 | | H1&H3, H2&H4 |
| 200 | 133.0 | | H1&H3, H2&H4 |
| 190 | 131.6 | | H1&H3, H2&H4 |
| 120 | 208.3 | | X4&X2, X3&X1 |
| 240 | 104.2 | | X1, X4 |

SPACINGS BETWEEN ANY VENTILATED ENCLOSURE PANEL AND ANY ADJACENT WALL SHALL BE A MINIMUM OF 3 INCHES
SUITABLE FOR OPERATION AT 50HZ

SEISMIC QUALIFICATIONS:
OSP=0.136/IBC 2018/ASCE 7-16
SDS<=2.0g Z/h=1 Ip=1.5

d000186hb



All Dimensions in inches

ENCLOSURE COLOR : ANSI 61 GREY – OUTDOOR

HV TERMINAL DETAIL

LV TERMINAL DETAIL

MECHANICAL TYPE LUGS INCLUDED
SUITABLE FOR #14-2 CU/AL
CONDUCTORS
1 CONDUCTOR PER PHASE

MECHANICAL TYPE LUGS INCLUDED
SUITABLE FOR #2/0-14 CU/AL
CONDUCTORS
1 CONDUCTOR PER PHASE

CUSTOMER NOTES:

- HV TERMINATED AT TOP FRONT
- LV TERMINATED AT BOTTOM FRONT



TITLE: 1PH DISTRIBUTION TRANSFORMER

| | |
|--------|----------|
| DES: | LCEN |
| DATE: | 25/08/21 |
| SCALE: | NTS |

| NO. | DATE | BY | REVISION |
|-----|------|----|----------|
| | | | |

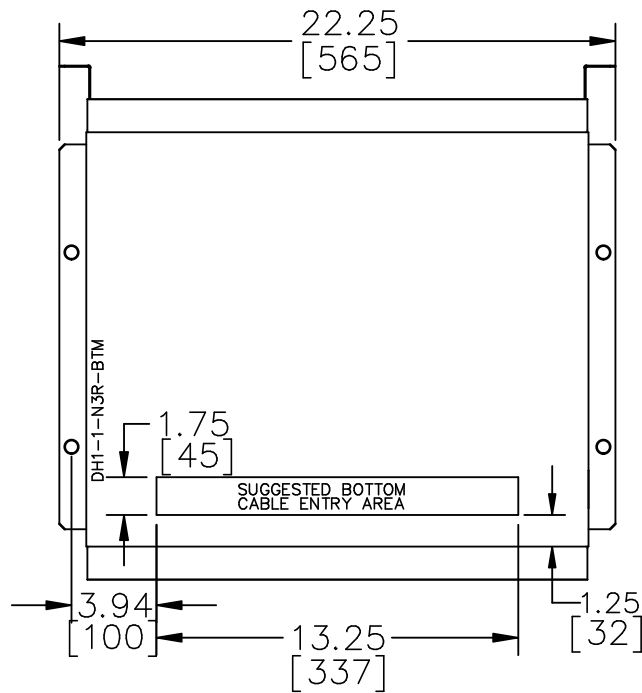
SHEET 2 OF 4

EDBSC3M0025XE

0.1 htpd 2026/06/03 18:04

THIS DRAWING CONTAINS STRICTLY CONFIDENTIAL INFORMATION BELONGING TO HAMMOND POWER SOLUTIONS AND MUST NOT BE DISTRIBUTED OUTSIDE AUTHORIZED PARTIES.

ENCLOSURE BOTTOM VIEW



NOTE:
 WHEN BOTTOM CABLE ENTRY IS OPTED, THE SPACE USED FOR CONDUITS IN THE FRONT OF THE TRANSFORMER SHOULD NOT OBSTRUCT MORE THAN 50% OF THE FRONT AIR INTAKE AREA DEFINED BETWEEN THE BOTTOM PLATE AND THE SUPPORTING LEGS.
 SEE MANUAL FOR ADDITIONAL INFORMATION



TITLE: 1PH DISTRIBUTION TRANSFORMER
 ENCLOSURE BOTTOM VIEW

| | | | | |
|-----|------|----|----------|----------------|
| | | | | DES: LCEN |
| | | | | DATE: 25/08/21 |
| NO. | DATE | BY | REVISION | SCALE: NTS |

SHEET 3 OF 4

EDBSC3M0025XE

| PRIMARY VOLTS | CONNECTION LINES TO | INTER-CONNECT |
|-----------------|---------------------|-----------------------|
| 440 | H1,H4 | 1-H2,2-H3,H2-H3 |
| 416 | H1,H4 | 3-H2,4-H3,H2-H3 |
| 400 | H1,H4 | 5-H2,6-H3,H2-H3 |
| 380 | H1,H4 | 7-H2,8-H3,H2-H3 |
| 220 | H1,H4 | 1-H2,2-H3,H1-H3,H2-H4 |
| 208 | H1,H4 | 3-H2,4-H3,H1-H3,H2-H4 |
| 200 | H1,H4 | 5-H2,6-H3,H1-H3,H2-H4 |
| 190 | H1,H4 | 7-H2,8-H3,H1-H3,H2-H4 |
| SECONDARY VOLTS | CONNECTION LINES TO | INTER-CONNECT |
| 240 | X1,X4 | X2-X3 |
| 120 | X1,X4 | X1-X3,X2-X4 |
| 120/240 | X1,X2,X4 | X2-X3 |



TITLE: 1PH DISTRIBUTION TRANSFORMER

| | |
|--------|----------|
| DES: | LCEN |
| DATE: | 25/08/21 |
| SCALE: | NTS |

| NO. | DATE | BY | REVISION |
|-----|------|----|----------|
| | | | |

SHEET 4 OF 4

EDBSC3M0025XE