



TITLE: 1PH DISTRIBUTION TRANSFORMER
NAMEPLATE INFORMATION

NO.	DATE	BY	REVISION
2	21/07/16	PP	EDB UPDATE
1	20/03/17	PP	SEISMIC UPDATE
			DES: PPICASSI DATE: 18/02/08 SCALE: NTS

SHEET 1 OF 3

EDBSG3L0167PE

2.0 httpd 2026/05/13 09:45

THIS DRAWING CONTAINS STRICTLY CONFIDENTIAL INFORMATION BELONGING TO HAMMOND POWER SOLUTIONS AND MUST NOT BE DISTRIBUTED OUTSIDE AUTHORIZED PARTIES.

POWER SOLUTIONS
Guelph, ONT
Hyderabad, IN Compton, CA

HPS Sentinel™ G
Energy Efficient Distribution Transformer
Transformateur de Distribution à Bon Rendement Énergétique

Baraboo, WI
Monterrey, MX

Part No. **SG3L0167PE**

LR 3902
DRY TYPE
77US
E112313

LISTED

8 03423174122 6
ALSO REFER TO STANDARD CRO20-18
BY UNDERWRITERS LABORATORIES INC. @ 0168

VOLTS	CURRENT COURANT	% RATED VOLTAGE % TENSION NOMINALE	CONNECTION EACH PHASE CONNECTION PAR PHASE
630	265	105	1
615	272	102.5	2
600	278	100	3
585	285	97.5	4
570	293	95	5
120	1392		X4&X2, X3&X1
240	696		X1, X4

Serial No.
No. de Serie

1 HV/HT 278A

F BIL 10 kV

ANN Term Bornes H1 H2

167 LV/BT 120/240V 1392/696A

150 °C BIL 10 kV

220 °C Term Bornes X4 X2 X3 X1

AL Energy Regulations DOE 10 CFR PART 431:2016

60 Reglements CEE ACT SOR/2018-201

6.3 Impedance % @ 170 °C

3R Encl. Type

835 Weight lbs

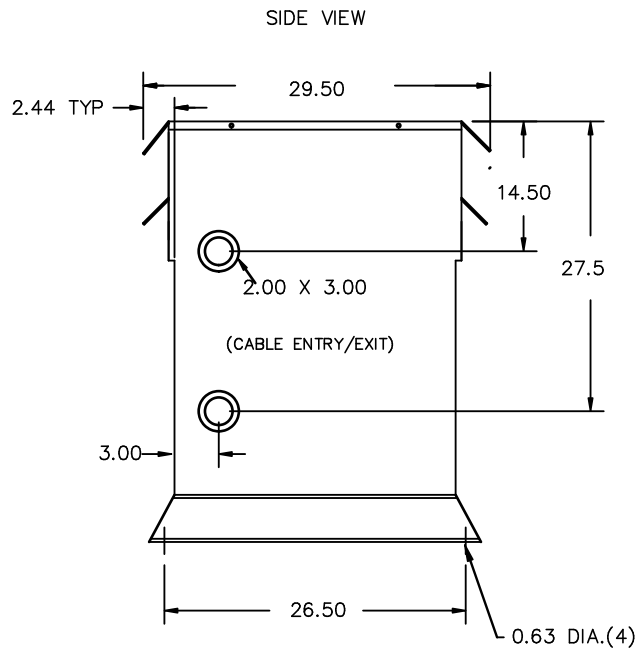
SPACINGS BETWEEN ANY VENTILATED ENCLOSURE PANEL AND ANY ADJACENT WALL SHALL BE A MINIMUM OF 5 INCHES EXCEPT WHEN WALL MOUNTED USING APPROVED WALL MOUNTING KIT

SEISMIC QUALIFICATIONS:
AS FLOOR MOUNT ONLY
IBC 2018/ASCE 7-16
SDS<=2.0g Z/h=1 Ip=1.5

d000186hb

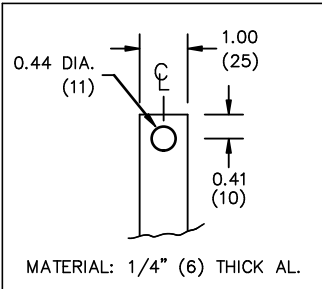


All Dimensions in inches

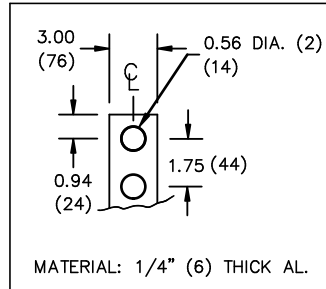


ENCLOSURE COLOR :ANSI 61 GREY – OUTDOOR

HV TERMINAL DETAIL



LV TERMINAL DETAIL



CUSTOMER NOTES:

- HV TERMINATED AT TOP FRONT
- LV TERMINATED AT BOTTOM FRONT



TITLE: 1PH DISTRIBUTION TRANSFORMER

2	21/07/16	PP	EDB UPDATE	DES: PPLICASSI
1	20/03/17	PP	SEISMIC UPDATE	DATE: 18/02/08
NO.	DATE	BY	REVISION	SCALE: NTS

SHEET 2 OF 3

EDBSG3L0167PE



NOTE:
 WHEN BOTTOM CABLE ENTRY IS OPTED, THE SPACE USED FOR CONDUITS IN THE FRONT OF THE TRANSFORMER SHOULD NOT OBSTRUCT MORE THAN 50% OF THE FRONT AIR INTAKE AREA DEFINED BETWEEN THE BOTTOM PLATE AND THE SUPPORTING LEGS.
 SEE MANUAL FOR ADDITIONAL INFORMATION



TITLE: 1PH DISTRIBUTION TRANSFORMER
 ENCLOSURE BOTTOM VIEW

2	21/07/16	PP	EDB UPDATE	DES: PPLICASSI
1	20/03/17	PP	SEISMIC UPDATE	DATE: 18/02/08
NO.	DATE	BY	REVISION	SCALE: NTS

SHEET 3 OF 3

EDBSG3L0167PE