



TITLE: 1PH DISTRIBUTION TRANSFORMER
NAMEPLATE INFORMATION

NO.	DATE	BY	REVISION	SCALE:
2	21/07/16	PP	EDB UPDATE	DES: PPICASSI
1	20/03/17	PP	SEISMIC UPDATE	DATE: 17/06/19
				SCALE: NTS

SHEET 1 OF 3

EDBSG3L0150PE

2.0 httpd 2026/07/11 19:10

THIS DRAWING CONTAINS STRICTLY CONFIDENTIAL INFORMATION BELONGING TO HAMMOND POWER SOLUTIONS AND MUST NOT BE DISTRIBUTED OUTSIDE AUTHORIZED PARTIES.

POWER SOLUTIONS
Energy Efficient Distribution Transformer
Transformateur de Distribution à Bon Rendement Énergétique

Hyderabad, IN Guelph, ONT Baraboo, WI Part No. **SG3L0150PE**
Compton, CA Monterrey, MX

UL LISTED LR 3902

DRY TYPE TRANSFORMER
77US E112313

8 034231741219
ALSO REFER TO THE FOLLOWING STANDARDS:
UL 1568 AND IEC 60076-18
BY UNDERWRITERS LABORATORIES INC. @ 0168

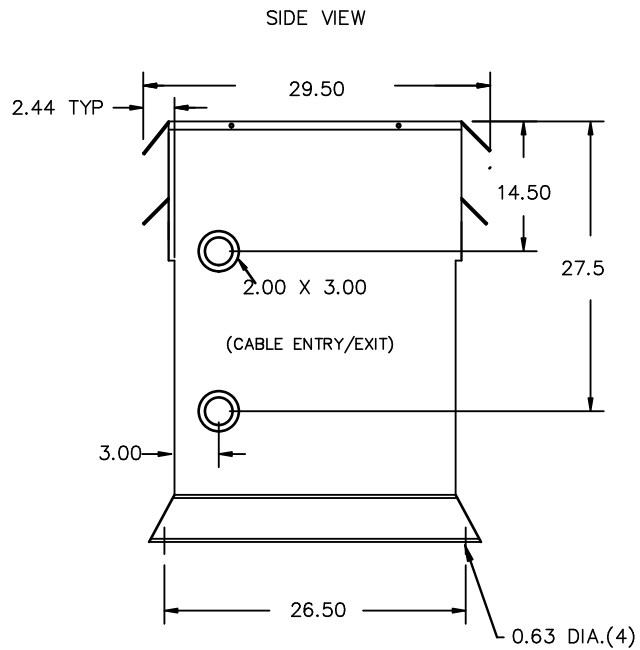
Cust. Ref. Ref. du Client	Serial No. No. de Serie	600V 250A	
Phase	HV/HT	10 kV	
Type	BIL	H1 H2	
Cooling Refroidissement	Term Bornes	120/240V 1250/625A	
kVA	LV/BT	10 kV	
Temp. Rise Échauffement	BIL	X4 X2 X3 X1	
Temp Class Classe Temp	Term Bornes	DOE 10 CFR PART 431:2016	
Winding Enroulement	Energy Regulations	CEE ACT SOR/2018-201	
Frequency Fréquence Hz	Reglements de Énergétique		
Impedance % @ 170 °C			
Encl. Type Type de Coffrage			
Weight Poids		775	

VOLTS	CURRENT COURANT	% RATED VOLTAGE % TENSION NOMINALE	CONNECTION EACH PHASE CONNECTION PAR PHASE
630	238	105	1
615	244	102.5	2
600	250	100	3
585	256	97.5	4
570	263	95	5
120	1250		X4&X2, X3&X1
240	625		X1, X4

SPACINGS BETWEEN ANY VENTILATED ENCLOSURE PANEL AND ANY ADJACENT WALL SHALL BE A MINIMUM OF 5 INCHES EXCEPT WHEN WALL MOUNTED USING APPROVED WALL MOUNTING KIT

SEISMIC QUALIFICATIONS:
AS FLOOR MOUNT ONLY
IBC 2018/ASCE 7-16
SDS<=2.0g Z/h=1 Ip=1.5

d000186hb



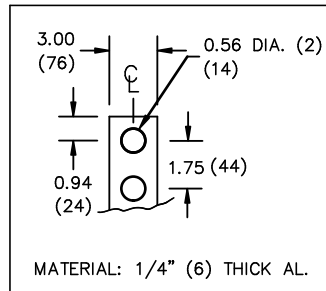
All Dimensions in inches

ENCLOSURE COLOR :ANSI 61 GREY – OUTDOOR

HV TERMINAL DETAIL

LV TERMINAL DETAIL

MECHANICAL TYPE LUGS INCLUDED
SUITABLE FOR 600MCM-2 CU/AL
CONDUCTORS
1 CONDUCTOR PER PHASE



CUSTOMER NOTES:

- HV TERMINATED AT TOP FRONT
- LV TERMINATED AT BOTTOM FRONT



TITLE: 1PH DISTRIBUTION TRANSFORMER

2	21/07/16	PP	EDB UPDATE	DES: PPLICASSI
1	20/03/17	PP	SEISMIC UPDATE	DATE: 17/06/19
NO.	DATE	BY	REVISION	SCALE: NTS

SHEET 2 OF 3

EDBSG3L0150PE



NOTE:
 WHEN BOTTOM CABLE ENTRY IS OPTED, THE SPACE USED FOR CONDUITS IN THE FRONT OF THE TRANSFORMER SHOULD NOT OBSTRUCT MORE THAN 50% OF THE FRONT AIR INTAKE AREA DEFINED BETWEEN THE BOTTOM PLATE AND THE SUPPORTING LEGS.
 SEE MANUAL FOR ADDITIONAL INFORMATION



TITLE: 1PH DISTRIBUTION TRANSFORMER
 ENCLOSURE BOTTOM VIEW

2	21/07/16	PP	EDB UPDATE	DES: PPLICASSI
1	20/03/17	PP	SEISMIC UPDATE	DATE: 17/06/19
NO.	DATE	BY	REVISION	SCALE: NTS

SHEET 3 OF 3

EDBSG3L0150PE