



TITLE: 1PH DISTRIBUTION TRANSFORMER
NAMEPLATE INFORMATION


DES:	LCEN
DATE:	22/06/27
SCALE:	NTS

SHEET 1 OF 3

EDBSG3L0150BE

0.1 httpd 2026/06/23 20:27

THIS DRAWING CONTAINS STRICTLY CONFIDENTIAL INFORMATION BELONGING TO HAMMOND POWER SOLUTIONS AND MUST NOT BE DISTRIBUTED OUTSIDE AUTHORIZED PARTIES.




POWER SOLUTIONS
Guelph, ONT
Hyderabad, IN Compton, CA

HPS Sentinel™ G
Energy Efficient Distribution Transformer
Transformateur de Distribution à Bon Rendement Énergétique

Baraboo, WI
Monterrey, MX

Part No. **SG3L0150BE**


LR 3902
DRY TYPE
FORMER
77US
E112313



ALSO REFER TO CATALOGUE
TO ENERGY STANDARDS C22.2-18
BY UNDERWRITERS LABORATORIES INC. 0148

LISTED

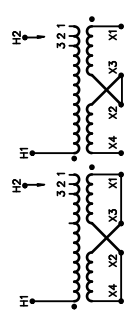
0342314053 3



SPACINGS BETWEEN ANY VENTILATED ENCLOSURE PANEL AND ANY ADJACENT WALL SHALL BE A MINIMUM OF 5 INCHES

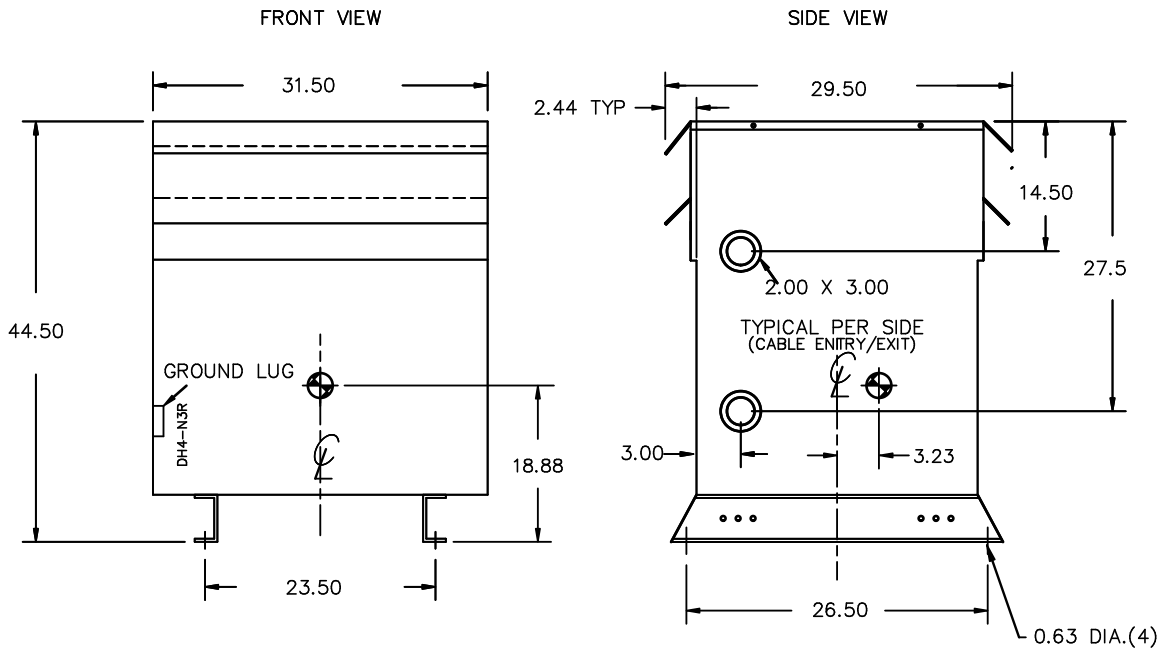
VOLTS	CURRENT COURANT	% RATED % TENSION NOMINALE	CONNECTION EACH PHASE CONNECTION PAR PHASE
216	694	103.8	1
208	721	100	2
200	750	96.2	3
120	1250		X4&X2, X3&X1
240	625		X1, X4

Cust. Ref. Ref. du Client	Serial No. No. de Serie	208V	721A
Phase	HV/HT	10 kV	
Type	BIL	H1 H2	
Cooling Refroidissement	ANN	120/240V	1250/625A
kVA	150	10 kV	
Temp. Rise Échauffement	150 °C	X4 X2 X3 X1	
Temp Class Classe Temp	220 °C	DOE 10 CFR PART 431:2016	
Winding Enroulement	AL	CEE ACT SOR/2018-201	
Frequency Fréquence Hz	60		
Impedance % @ 170 °C	5.8		
Encl. Type Type de Coffrage	3R		
Weight lbs/kg Poids	790/359		



SEISMIC QUALIFICATIONS:
AS FLOOR MOUNT ONLY
IBC 2018/ASCE 7-16
SDS<=2.0g Z/h=1 Ip=1.5

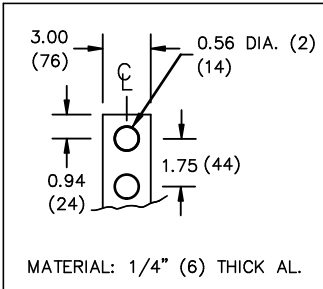
d000186hb



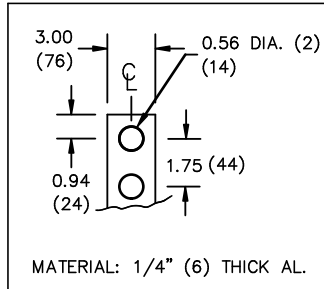
All Dimensions in inches

ENCLOSURE COLOR :ANSI 61 GREY – OUTDOOR

HV TERMINAL DETAIL



LV TERMINAL DETAIL



CUSTOMER NOTES:

- HV TERMINATED AT TOP FRONT
- LV TERMINATED AT BOTTOM FRONT



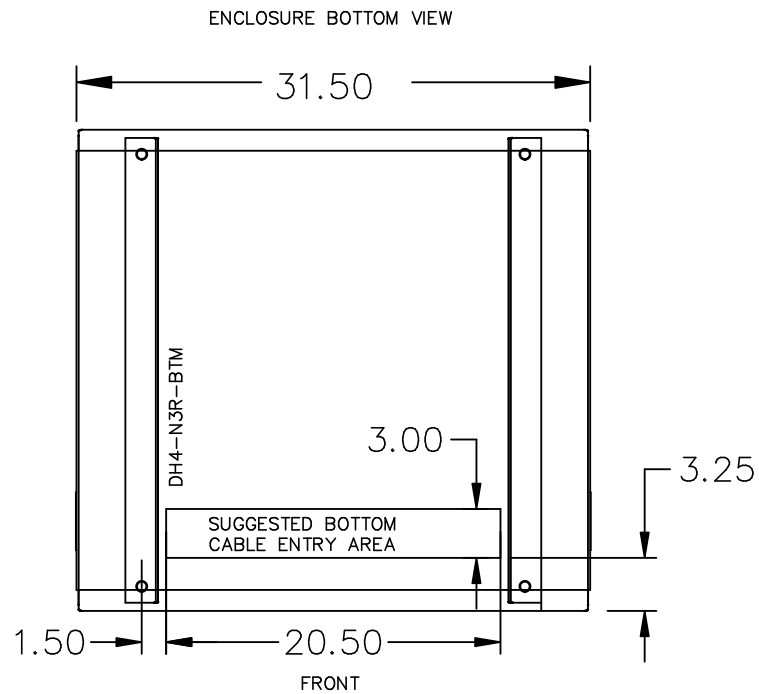
TITLE: 1PH DISTRIBUTION TRANSFORMER

DES:	LCEN
DATE:	22/06/27
SCALE:	NTS

NO.	DATE	BY	REVISION

SHEET 2 OF 3

EDBSG3L0150BE



NOTE:
 WHEN BOTTOM CABLE ENTRY IS OPTED, THE SPACE USED FOR CONDUITS IN THE FRONT OF THE TRANSFORMER SHOULD NOT OBSTRUCT MORE THAN 50% OF THE FRONT AIR INTAKE AREA DEFINED BETWEEN THE BOTTOM PLATE AND THE SUPPORTING LEGS.
 SEE MANUAL FOR ADDITIONAL INFORMATION



TITLE: 1PH DISTRIBUTION TRANSFORMER
ENCLOSURE BOTTOM VIEW

				DES: LCEN
				DATE: 22/06/27
NO.	DATE	BY	REVISION	SCALE: NTS

SHEET 3 OF 3

EDBSG3L0150BE