



TITLE: 1PH DISTRIBUTION TRANSFORMER
NAMEPLATE INFORMATION

1	21/07/16	PP	EDB UPDATE	DES: PPICASSI
NO.	DATE	BY	REVISION	SCALE: NTS

SHEET 1 OF 3

EDBSC3L0100BE0C

1:1 httpd 2026/04/02 18:46

THIS DRAWING CONTAINS STRICTLY CONFIDENTIAL INFORMATION BELONGING TO HAMMOND POWER SOLUTIONS AND MUST NOT BE DISTRIBUTED OUTSIDE AUTHORIZED PARTIES.

POWER SOLUTIONS
Guelph, ONT
Hyderabad, IN Compton, CA

HPS Sentinel™ G
Energy Efficient Distribution Transformer
Transformateur de Distribution à Bon Rendement Énergétique

Baraboo, WI
Monterrey, MX

Part No. **SG3L0100BE0C**

LISTED **LR 3902**
DRY TYPE
TRANSFORMER
77US
E112313
 ALSO LISTED IN CONNECTION WITH ENERGY STANDARDS CPD215-18 BY UNDERWRITERS LABORATORIES INC. @ 3148

Cust. Ref.

Ref. du Client

Serial No.

No. de Serie

Phase 1 HV/HT 208V 481A

Type F BIL 10 kV

Cooling ANN Term H1 H2

Refroidissement

kVA 100 LV/BT 120/240V 833/417A

Temp. Rise 150 °C

Echauffement

Temp Class 220 °C

Classe Temp

Winding CU Energy

Enroulement

Regulations

Frequency 60 Reglements

Frequency Hz

Impedance %

@ 170 °C 5.7

Encl. Type

Type de Coffrage 3R

Weight lbs/kg 660/300

Poids

VOLTS	CURRENT COURANT	% RATED % TENSION NOMINALE	CONNECTION EACH PHASE CONNECTION PAR PHASE
218	458	105	1-2
213	469	102.5	2-3
208	481	100	3-4
203	493	97.5	4-5
198	506	95	5-6
120	833		X4&X2, X3&X1
240	417		X1, X4

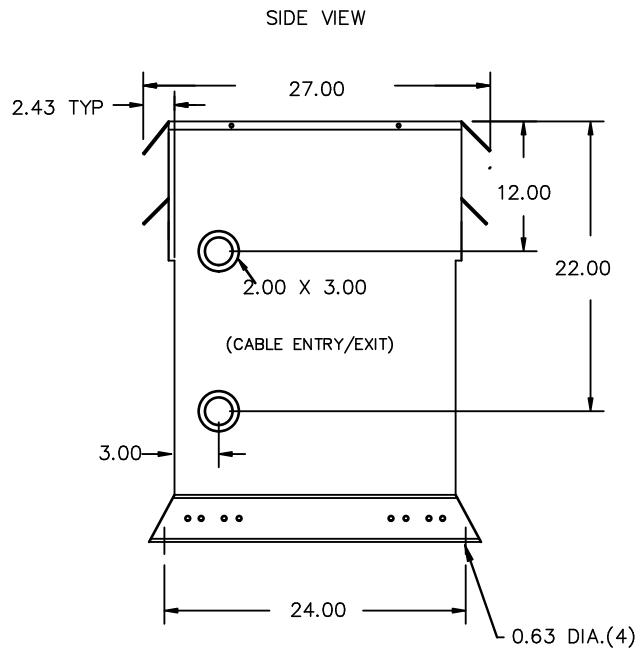
SPACINGS BETWEEN ANY VENTILATED ENCLOSURE PANEL AND ANY ADJACENT WALL SHALL BE A MINIMUM OF 5 INCHES EXCEPT WHEN WALL MOUNTED USING APPROVED WALL MOUNTING KIT

SEISMIC QUALIFICATIONS:
AS FLOOR MOUNT ONLY
IBC 2018/ASCE 7-16
SDS<=2.0g Z/h=0 Ip=1.5

0000186hb

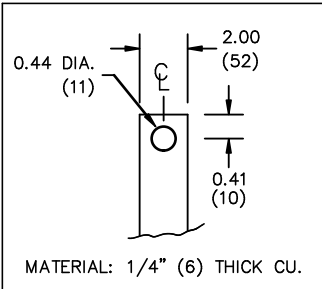


All Dimensions in inches

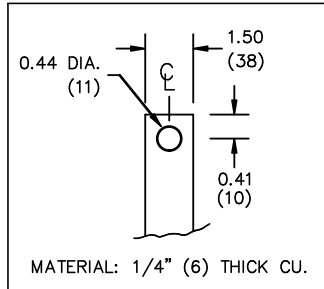


ENCLOSURE COLOR :ANSI 61 GREY – OUTDOOR

HV TERMINAL DETAIL



LV TERMINAL DETAIL



CUSTOMER NOTES:

- HV TERMINATED AT TOP FRONT
- LV TERMINATED AT BOTTOM FRONT



TITLE: 1PH DISTRIBUTION TRANSFORMER

1	21/07/16	PP	EDB UPDATE	DES: PPICASSI
NO.	DATE	BY	REVISION	SCALE: NTS

SHEET 2 OF 3

EDBSC31010BEOC

ENCLOSURE BOTTOM VIEW



NOTE:
 WHEN BOTTOM CABLE ENTRY IS OPTED, THE SPACE USED FOR CONDUITS IN THE FRONT OF THE TRANSFORMER SHOULD NOT OBSTRUCT MORE THAN 50% OF THE FRONT AIR INTAKE AREA DEFINED BETWEEN THE BOTTOM PLATE AND THE SUPPORTING LEGS.
 SEE MANUAL FOR ADDITIONAL INFORMATION



TITLE: 1PH DISTRIBUTION TRANSFORMER
 ENCLOSURE BOTTOM VIEW

1	21/07/16	PP	EDB UPDATE	DES: PPICASSI
NO.	DATE	BY	REVISION	SCALE: NTS

SHEET 3 OF 3

EDBSC31010BEOC