



TITLE: 1PH DISTRIBUTION TRANSFORMER
NAMEPLATE INFORMATION

NO.	DATE	BY	REVISION	DES:	RMOVVA
3	21/07/16	PP	EDB UPDATE	DATE:	17/07/10
2	20/07/21	RM	CHANGED NPL VER:	SCALE:	NTS

SHEET 1 OF 3

EDBSG3L0100BE

3.0 httpd 2026/06/25 03:19

POWER SOLUTIONS
Guelph, ONT
Hyderabad, IN Compton, CA

HPS Sentinel™ G
Energy Efficient Distribution Transformer
Transformateur de Distribution à Bon Rendement Énergétique

Baraboo, WI
Monterrey, MX

Part No. **SG3L0100BE**

Cust. Ref. [] Serial No. []
Ref. du Client [] No. de Serie []

Phase 1 HV/HT 208V 481A

Type F BIL 10 kV

Cooling Refroidissement ANN Term Bornes H1 H2

kVA 100 LV/BT 120/240V 833/417A

Temp. Rise Echauffement 150 °C BIL 10 kV

Temp Class Classe Temp 220 °C Term Bornes X4 X2 X3 X1

Winding Enroulement AL Energy Regulations DOE 10 CFR PART 431:2016

Frequency Fréquence Hz 60 Reglements de l'Energétique CEE ACT SOR/2018-201

Impedance % @ 170 °C 6

Encl. Type Type de Coffrage 3R

Weight Poids lbs 535

VOLTS	CURRENT COURANT	% RATED VOLTAGE % TENSION NOMINALE	CONNECTION EACH PHASE CONNECTION PAR PHASE
218	458	105	1-2
213	469	102.5	2-3
208	481	100	3-4
203	493	97.5	4-5
198	505	95	5-6
120	833		X4&X2, X3&X1
240	417		X1, X4

LISTED LR 3902

DRY TYPE TRANSFORMER 8003423174052 6

UL ALSO LISTED TO ENERGY STANDARD CPD 05-18 BY UNDERWRITERS LABORATORIES INC. @ 016

SPACINGS BETWEEN ANY VENTILATED ENCLOSURE PANEL AND ANY ADJACENT WALL SHALL BE A MINIMUM OF 5 INCHES EXCEPT WHEN WALL MOUNTED USING APPROVED WALL MOUNTING KIT

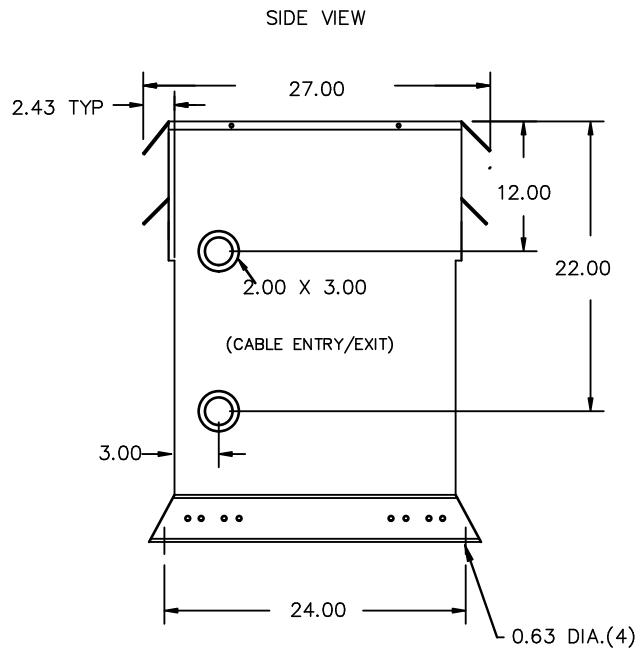
SEISMIC QUALIFICATIONS:
AS FLOOR MOUNT ONLY
IBC 2018/ASCE 7-16
SDS<=2.0g Z/h=1 Ip=1.5

d000186hb

THIS DRAWING CONTAINS STRICTLY CONFIDENTIAL INFORMATION BELONGING TO HAMMOND POWER SOLUTIONS AND MUST NOT BE DISTRIBUTED OUTSIDE AUTHORIZED PARTIES.

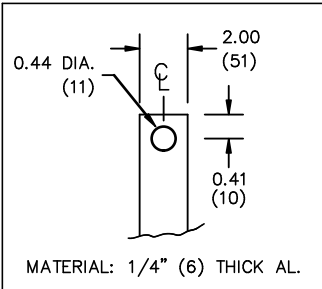


All Dimensions in inches

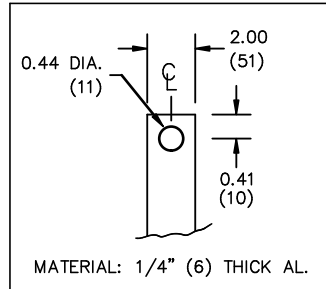


ENCLOSURE COLOR :ANSI 61 GREY – OUTDOOR

HV TERMINAL DETAIL



LV TERMINAL DETAIL



CUSTOMER NOTES:

- HV TERMINATED AT TOP FRONT
- LV TERMINATED AT BOTTOM FRONT



TITLE: 1PH DISTRIBUTION TRANSFORMER

3	21/07/16	PP	EDB UPDATE	DES: RMOVVA
2	20/07/21	RM	CHANGED NPL VER:	DATE: 17/07/10
NO.	DATE	BY	REVISION	SCALE: NTS

SHEET 2 OF 3

EDBSG3L0100BE

ENCLOSURE BOTTOM VIEW



NOTE:
 WHEN BOTTOM CABLE ENTRY IS OPTED, THE SPACE USED FOR CONDUITS IN THE FRONT OF THE TRANSFORMER SHOULD NOT OBSTRUCT MORE THAN 50% OF THE FRONT AIR INTAKE AREA DEFINED BETWEEN THE BOTTOM PLATE AND THE SUPPORTING LEGS.
 SEE MANUAL FOR ADDITIONAL INFORMATION



TITLE: 1PH DISTRIBUTION TRANSFORMER
 ENCLOSURE BOTTOM VIEW

3	21/07/16	PP	EDB UPDATE	DES: RMOVVA
2	20/07/21	RM	CHANGED NPL VER:	DATE: 17/07/10
NO.	DATE	BY	REVISION	SCALE: NTS

SHEET 3 OF 3

EDBSG3L0100BE