



TITLE: 1PH DISTRIBUTION TRANSFORMER
NAMEPLATE INFORMATION

NO.	DATE	BY	REVISION
2	21/07/16	PP	EDB UPDATE
1	20/03/17	PP	SEISMIC UPDATE
			DES: PPICASSI
			DATE: 17/04/27
			SCALE: NTS

SHEET 1 OF 3

EDB SG3L0037PE

2.0 httpd 2026/05/28 13:18

THIS DRAWING CONTAINS STRICTLY CONFIDENTIAL INFORMATION BELONGING TO HAMMOND POWER SOLUTIONS AND MUST NOT BE DISTRIBUTED OUTSIDE AUTHORIZED PARTIES.

POWER SOLUTIONS
Guelph, ONT Compton, CA Hyderabad, IN
Baraboo, WI Monterrey, MX

HPS Sentinel™ G
Energy Efficient Distribution Transformer
Transformateur de Distribution à Bon Rendement Énergétique

Part No. **SG3L0037PE**

DRY TYPE TRANSFORMER
77US E112313
ALSO REFER TO THE COMPANY'S
TY ENERGY STANDARDS CRO20-18
BY UNDERWRITERS LABORATORIES INC. @ 316

LR 3902
034231417 2

LISTED

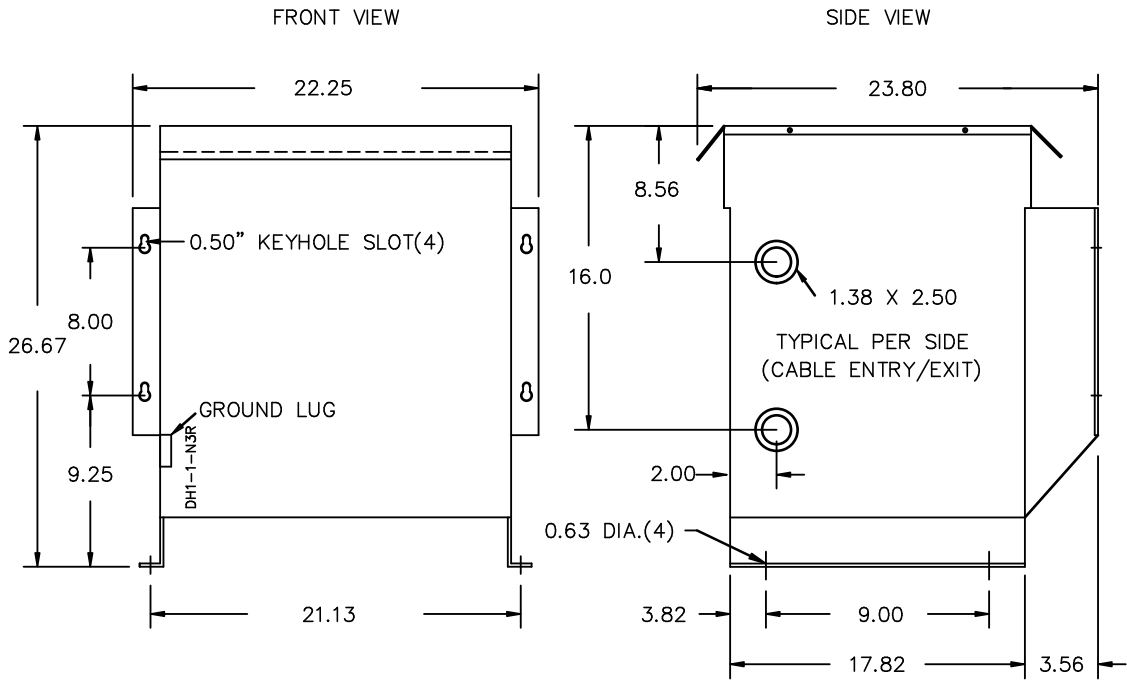
SPACINGS BETWEEN ANY VENTILATED ENCLOSURE PANEL AND ANY ADJACENT WALL SHALL BE A MINIMUM OF 3 INCHES

VOLTS	CURRENT COURANT	% RATED VOLTAGE % TENSION NOMINALE	CONNECTION EACH PHASE CONNECTION PAR PHASE
630	59.5	105	1-2
615	61.0	102.5	2-3
600	62.5	100	3-4
585	64.1	97.5	4-5
570	65.8	95	5-6
120	312.5		X4&X2, X3&X1
240	156.3		X1, X4

Cust. Ref.	Serial No.
Ref. du Client	No. de Serie
Phase	HV/HT
Type	BIL
Cooling	Term
Refroidissement	Bornes
kVA	LV/BT
Temp. Rise	120/240V 312.5/156A
Echauffement	BIL
Temp Class	10 kV
Classe Temp	220 °C
Winding	AL
Enroulement	Energy Regulations
Frequency Hz	60
Impedance %	Reglements de l'Energétique
@ 170 °C	5.9
Encl. Type	3R
Type de Coffrage	Weight lbs
	Poids
	260

SEISMIC QUALIFICATIONS:
OSP=0136/IBC 2018/ASCE 7-16
SDS<=2.0g Z/h=1 Ip=1.5

d000186hb



All Dimensions in inches

ENCLOSURE COLOR : ANSI 61 GREY – OUTDOOR

HV TERMINAL DETAIL

LV TERMINAL DETAIL

MECHANICAL TYPE LUGS INCLUDED
SUITABLE FOR #14-2 CU/AL
CONDUCTORS
1 CONDUCTOR PER PHASE

MECHANICAL TYPE LUGS INCLUDED
SUITABLE FOR 250MCM-6 CU/AL
CONDUCTORS
1 CONDUCTOR PER PHASE

CUSTOMER NOTES:

- HV TERMINATED AT TOP FRONT
- LV TERMINATED AT BOTTOM FRONT



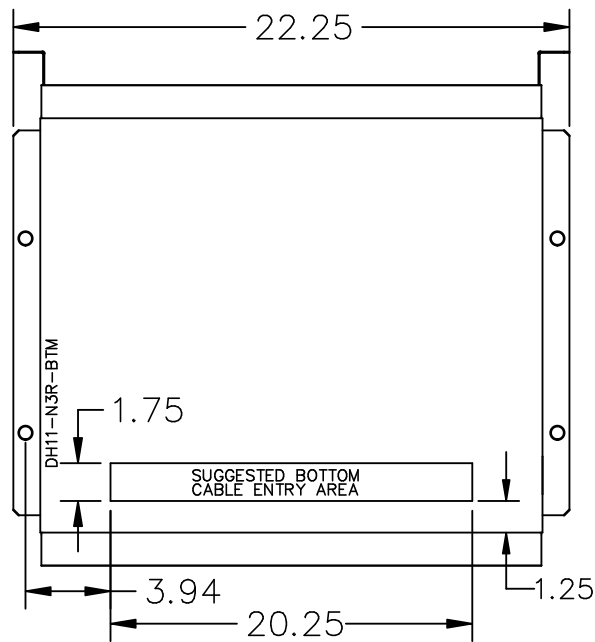
TITLE: 1PH DISTRIBUTION TRANSFORMER

2	21/07/16	PP	EDB UPDATE	DES: PPICASSI
1	20/03/17	PP	SEISMIC UPDATE	DATE: 17/04/27
NO.	DATE	BY	REVISION	SCALE: NTS

SHEET 2 OF 3

EDBSC3L0037PE

ENCLOSURE BOTTOM VIEW



NOTE:
 WHEN BOTTOM CABLE ENTRY IS OPTED, THE SPACE USED FOR CONDUITS IN THE FRONT OF THE TRANSFORMER SHOULD NOT OBSTRUCT MORE THAN 50% OF THE FRONT AIR INTAKE AREA DEFINED BETWEEN THE BOTTOM PLATE AND THE SUPPORTING LEGS.
 SEE MANUAL FOR ADDITIONAL INFORMATION



TITLE: 1PH DISTRIBUTION TRANSFORMER
 ENCLOSURE BOTTOM VIEW

2	21/07/16	PP	EDB UPDATE	DES: PPICASSI
1	20/03/17	PP	SEISMIC UPDATE	DATE: 17/04/27
NO.	DATE	BY	REVISION	SCALE: NTS

SHEET 3 OF 3

EDBSC3L0037PE