



TITLE: 3PH DISTRIBUTION TRANSFORMER  
NAMEPLATE INFORMATION


DES:	DCORTEZ
DATE:	25/01/16
SCALE:	NTS

SHEET 1 OF 3

EDBSG3C0750KDOC

0.1 httpd 2026/05/21 13:15

THIS DRAWING CONTAINS STRICTLY CONFIDENTIAL INFORMATION BELONGING TO HAMMOND POWER SOLUTIONS AND MUST NOT BE DISTRIBUTED OUTSIDE AUTHORIZED PARTIES.




**POWER SOLUTIONS**  
Guelph, ONT  
Hyderabad, IN Compton, CA

**HPS Sentinel™ G**  
Energy Efficient Distribution Transformer  
Transformateur de Distribution à Bon Rendement Énergétique


Baraboo, WI  
Monterrey, MX

Part No. **SG3C0750KDOC**

LR 3902  
DRY TYPE  
77US  
E112313



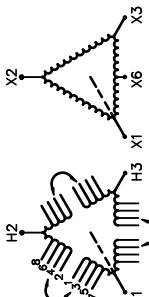
ALSO REFER TO THE LISTING IN THE IEC CATALOGUE  
BY UNDERWRITERS LABORATORIES INC. 316



8 03423 1279 6

SPACINGS BETWEEN ANY VENTILATED ENCLOSURE PANEL AND ANY ADJACENT WALL SHALL BE A MINIMUM OF 12 INCHES  
X6=120V CT, 5% OF KVA RATING MAXIMUM

VOLTS	CURRENT COURANT	% RATED VOLTAGE TENSION NOMINALE	CONNECTION EACH PHASE CONNECTION PAR PHASE
504	859	105	1-2
492	880	102.5	2-3
480	902	100	3-4
468	925	97.5	4-5
456	950	95	5-6
444	975	92.5	6-7
432	1002	90	7-8



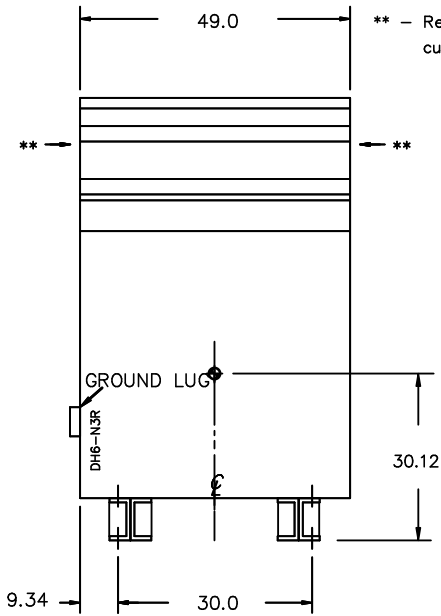
H1 H2 H3 X1 X2 X3 X6

SEISMIC QUALIFICATIONS:  
AS FLOOR MOUNT ONLY  
IBC 2018/ASCE 7-16  
SDS<=2.0g Z/h=0 Ip=1.5

Cust. Ref.	Serial No.	
Ref. du Client	No. de Serie	
Phase	HV/HT	480V 902A
Type	BIL	10 kV
Cooling Refroidissement	Term Bornes	H1 H2 H3
kVA	LV/BT	240V 1804A
Temp. Rise Échauffement	BIL	10 kV
Temp Class Classe Temp	Term Bornes	X1 X2 X3
Winding Enroulement	Energy Regulations	DOE 10 CFR PART 431:2016
Frequency Fréquence Hz	Reglements de Énergétique	CEE ACT SOR/2018-201
Impedance % @ 170°C		
Encl. Type Type de Coffrage		
Weight Poids		4710/2137

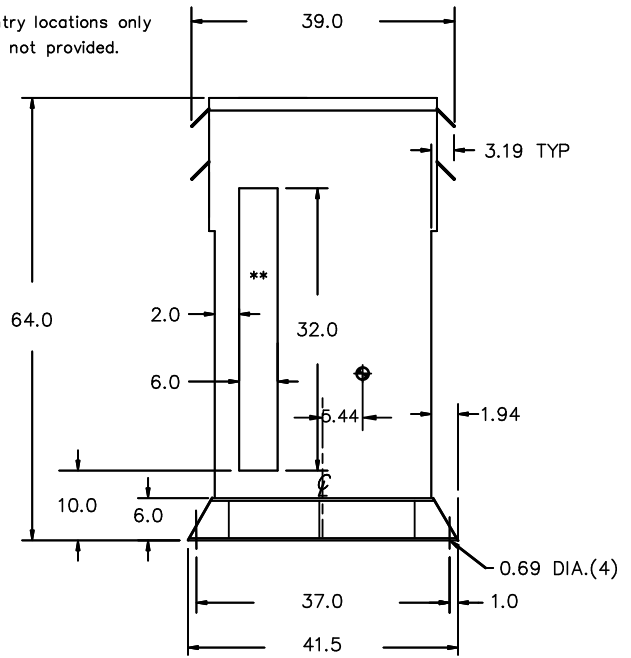
d000186hb

FRONT VIEW



\*\* - Recommended cable entry locations only cutouts & gland plates not provided.

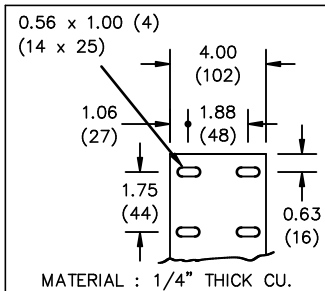
SIDE VIEW



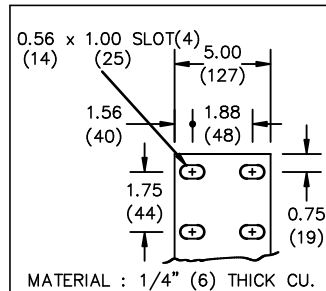
All Dimensions in inches

ENCLOSURE COLOR : ANSI 61 GREY - OUTDOOR

HV TERMINAL DETAIL



LV TERMINAL DETAIL



CUSTOMER NOTES:

- HV TERMINATED AT TOP FRONT
- LV TERMINATED AT BOTTOM FRONT FOR X1 X2 X3
- LV TERMINATED AT BOTTOM FRONT FOR X6



TITLE: 3PH DISTRIBUTION TRANSFORMER

DES:	DCORTEZ
DATE:	25/01/16
SCALE:	NTS

NO.	DATE	BY	REVISION

SHEET 2 OF 3

EDBSG3C0750KDDC

ENCLOSURE BOTTOM VIEW



NOTE:  
 WHEN BOTTOM CABLE ENTRY IS OPTED, THE SPACE USED FOR CONDUITS IN THE FRONT OF THE TRANSFORMER SHOULD NOT OBSTRUCT MORE THAN 50% OF THE FRONT AIR INTAKE AREA DEFINED BETWEEN THE BOTTOM PLATE AND THE SUPPORTING LEGS.  
 SEE MANUAL FOR ADDITIONAL INFORMATION



TITLE: 3PH DISTRIBUTION TRANSFORMER  
 ENCLOSURE BOTTOM VIEW

				DES: DCORTEZ
				DATE: 25/01/16
NO.	DATE	BY	REVISION	SCALE: NTS

SHEET 3 OF 3

EDBSC3C0750KDDC