



TITLE: 3PH DISTRIBUTION TRANSFORMER  
NAMEPLATE INFORMATION


NO.	DATE	BY	REVISION
2	21/07/16	PP	EDB UPDATE
1	20/03/17	PP	SEISMIC UPDATE
			DES: PPICASSI
			DATE: 18/10/11
			SCALE: NTS

SHEET 1 OF 3

EDB SG3C0750KD

2.0 httpd 2026/06/25 00:05

THIS DRAWING CONTAINS STRICTLY CONFIDENTIAL INFORMATION BELONGING TO HAMMOND POWER SOLUTIONS AND MUST NOT BE DISTRIBUTED OUTSIDE AUTHORIZED PARTIES.



**POWER SOLUTIONS**  
Guelph, ONT  
Hyderabad, IN Compton, CA

**HPS Sentinel™ G**  
Energy Efficient Distribution Transformer  
Transformateur de Distribution à Bon Rendement Énergétique

Baraboo, WI  
Monterrey, MX

Part No. **SG3C0750KD**

**hammond** LR 3902  
DRY TYPE DISTRIBUTION TRANSFORMER  
77US E112313

ALSO REFER TO THE FOLLOWING STANDARDS:  
UL 1568 AND IEC 60076-18  
BY UNDERWRITERS LABORATORIES INC. 0148

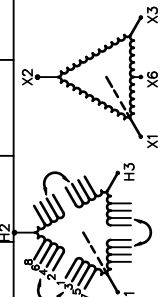
**LISTED**

SPACINGS BETWEEN ANY VENTILATED ENCLOSURE PANEL AND ANY ADJACENT WALL SHALL BE A MINIMUM OF 12 INCHES  
X6=120V CT, 5% OF KVA RATING MAXIMUM

SEISMIC QUALIFICATIONS:  
AS FLOOR MOUNT ONLY  
IBC 2018/ASCE 7-16  
SDS<=2.0g Z/h=0 Ip=1.5

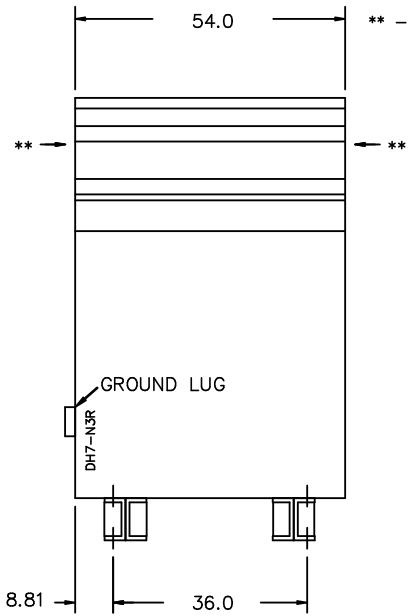
0000186hb

VOLTS	CURRENT COURANT	% RATED VOLTAGE % TENSION NOMINALE	CONNECTION EACH PHASE CONNECTION PAR PHASE
504	859	105	1-2
492	880	102.5	2-3
480	902	100	3-4
468	925	97.5	4-5
456	950	95	5-6
444	975	92.5	6-7
432	1002	90	7-8



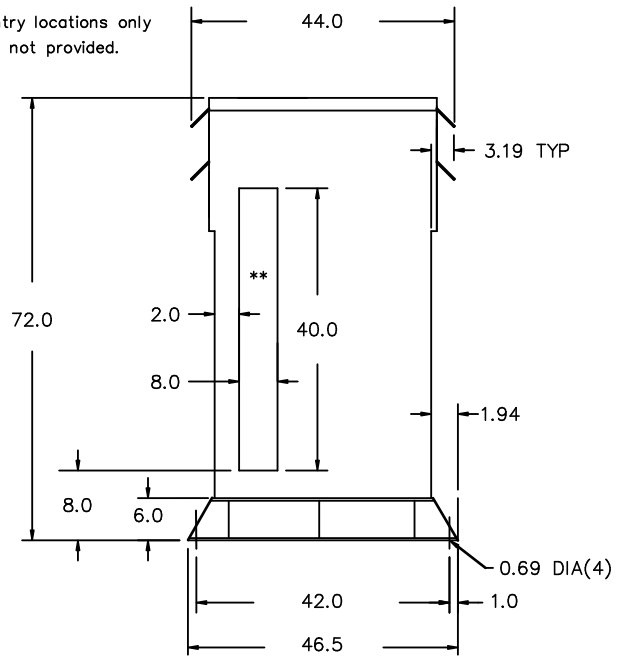
Cust. Ref. Ref. du Client	Serial No. No. de Serie	480V	902A
Phase	HV/HT	10 kV	
Type	BIL	H1 H2 H3	
Cooling Refroidissement	ANN	240V	1804A
kVA	750	10 kV	
Temp. Rise Échauffement	150 °C	X1 X2 X3	
Temp Class Classe Temp	220 °C	DOE 10 CFR PART 431:2016	
Winding Enroulement	AL	CEE ACT SOR/2018-201	
Frequency Fréquence Hz	60		
Impedance % @ 170 °C	7.4		
Encl. Type Type de Coffrage	3R		
Weight Poids	4250		

FRONT VIEW



\*\* - Recommended cable entry locations only  
cutouts & gland plates not provided.

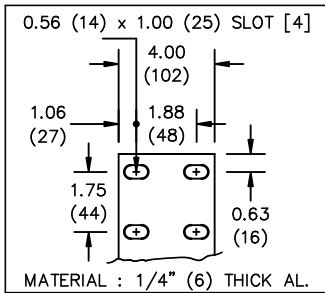
SIDE VIEW



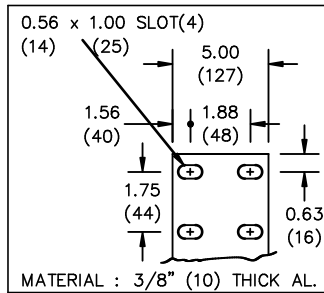
All Dimensions in inches

ENCLOSURE COLOR : ANSI 61 GREY - OUTDOOR

HV TERMINAL DETAIL



LV TERMINAL DETAIL



CUSTOMER NOTES:

- HV TERMINATED AT TOP FRONT
- LV TERMINATED AT BOTTOM FRONT



TITLE: 3PH DISTRIBUTION TRANSFORMER

2	21/07/16	PP	EDB UPDATE	DES: PPLICASSI
1	20/03/17	PP	SEISMIC UPDATE	DATE: 18/10/11
NO.	DATE	BY	REVISION	SCALE: NTS

SHEET 2 OF 3

EDBSC3C0750KD

ENCLOSURE BOTTOM VIEW



NOTE:  
 WHEN BOTTOM CABLE ENTRY IS OPTED, THE SPACE USED FOR CONDUITS IN THE FRONT OF THE TRANSFORMER SHOULD NOT OBSTRUCT MORE THAN 50% OF THE FRONT AIR INTAKE AREA DEFINED BETWEEN THE BOTTOM PLATE AND THE SUPPORTING LEGS.  
 SEE MANUAL FOR ADDITIONAL INFORMATION



TITLE: 3PH DISTRIBUTION TRANSFORMER  
ENCLOSURE BOTTOM VIEW

2	21/07/16	PP	EDB UPDATE	DES: PPICASSI
1	20/03/17	PP	SEISMIC UPDATE	DATE: 18/10/11
NO.	DATE	BY	REVISION	SCALE: NTS

SHEET 3 OF 3

EDBSC3C0750KD