




TITLE: 3PH DISTRIBUTION TRANSFORMER
NAMEPLATE INFORMATION

NO.	DATE	BY	REVISION
3	21/07/16	PP	EDB UPDATE
2	20/03/17	PP	SEISMIC UPDATE
			DES: JWEN
			DATE: 15/11/09
			SCALE: NTS

SHEET 1 OF 3

EDB SG3C0150KDOC


3.0 httpd 2026/06/12 20:31



POWER SOLUTIONS
Guelph, ONT Compton, CA Hyderabad, IN

HPS Sentinel™ G
Energy Efficient Distribution Transformer
Transformateur de Distribution à Bon Rendement Énergétique


Baraboo, WI Monterrey, MX
Part No. SG3C0150KDOC

LISTED  **LR 3902**
 DRY TYPE TRANSFORMER 8003423172467
 ALSO LISTED TO ENERGY STANDARDS C900-18
 BY UNDERWRITERS LABORATORIES INC. @ 016

VOLTS	CURRENT COURANT	% RATED % TENSION NOMINALE	CONNECTION EACH PHASE CONNECTION PAR PHASE
504	172	105	1
492	176	102.5	2
480	180	100	3
468	185	97.5	4
456	190	95	5
444	195	92.5	6
432	200	90	7

Serial No. []
 No. de Serie []
 HV/HT []
 BIL []
 Term Bornes []
 LV/BT []
 BIL []
 Term Bornes []
 Energy Regulations []
 Reglements de l'Energétique []
 Frequency Hz []
 Impedance % @ 170°C []
 Encl. Type []
 Type de Coffrage []
 Weight lbs []
 Poids []

480V
 10 kV
 H1 H2 H3
 240V
 10 kV
 X1 X2 X3
 DOE 10 CFR PART 431:2016
 CEE ACT SOR/2018-201



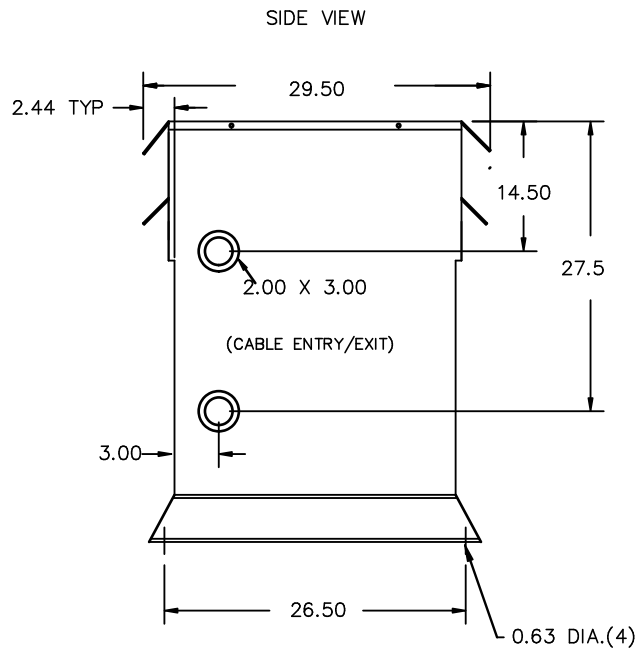
SEISMIC QUALIFICATIONS:
 AS FLOOR MOUNT ONLY
 IBC 2018/ASCE 7-16
 SDS<=2.0g Z/h=1 Ip=1.5

d000186hb

THIS DRAWING CONTAINS STRICTLY CONFIDENTIAL INFORMATION BELONGING TO HAMMOND POWER SOLUTIONS AND MUST NOT BE DISTRIBUTED OUTSIDE AUTHORIZED PARTIES.



All Dimensions in inches

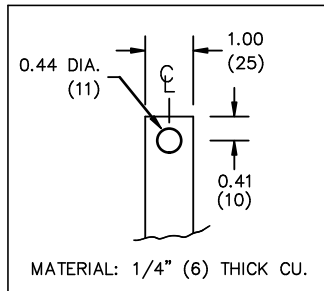


ENCLOSURE COLOR :ANSI 61 GREY – OUTDOOR

H.V.1. TERMINAL DETAIL

L.V.1. TERMINAL DETAIL

MECHANICAL TYPE LUGS INCLUDED
SUITABLE FOR 350MCM-6 CU/AL
CONDUCTORS
1 CONDUCTOR PER PHASE



CUSTOMER NOTES:

- HV1 TERMINATED AT TOP FRONT
- LV1 TERMINATED AT BOTTOM FRONT



TITLE: 3PH DISTRIBUTION TRANSFORMER

3	21/07/16	PP	EDB UPDATE	DES: JWEN
2	20/03/17	PP	SEISMIC UPDATE	DATE: 15/11/09
NO.	DATE	BY	REVISION	SCALE: NTS

SHEET 2 OF 3

EDBSC0150KDOC



NOTE:
 WHEN BOTTOM CABLE ENTRY IS OPTED, THE SPACE USED FOR CONDUITS IN THE FRONT OF THE TRANSFORMER SHOULD NOT OBSTRUCT MORE THAN 50% OF THE FRONT AIR INTAKE AREA DEFINED BETWEEN THE BOTTOM PLATE AND THE SUPPORTING LEGS.
 SEE MANUAL FOR ADDITIONAL INFORMATION



TITLE: 3PH DISTRIBUTION TRANSFORMER
 ENCLOSURE BOTTOM VIEW

3	21/07/16	PP	EDB UPDATE	DES: JWEN
2	20/03/17	PP	SEISMIC UPDATE	DATE: 15/11/09
NO.	DATE	BY	REVISION	SCALE: NTS

SHEET 3 OF 3

EDBSC3C0150KDOC