




TITLE: 3PH DISTRIBUTION TRANSFORMER
NAMEPLATE INFORMATION

| | | | | |
|-----|----------|----|------------|-------|
| NO. | DATE | BY | REVISION | SCALE |
| 1 | 21/07/16 | PP | EDB UPDATE | NTS |

SHEET 1 OF 3

EDBSG3A1000PKOC

1.0 httpd 2026/06/05 20:26



POWER SOLUTIONS
Guelph, ONT
Hyderabad, IN Compton, CA


HPS Sentinel™ G
Energy Efficient Distribution Transformer
Transformateur de Distribution à Bon Rendement Énergétique

Baraboo, WI
Monterrey, MX

Part No. **SG3A1000PKOC**

hammond LR 3902
DRY TYPE DISTRIBUTION TRANSFORMER
77US E112313

8 03423 12856 2
ALSO REFER TO UNDERWRITERS LABORATORIES INC. 0148
TO ENERGY STANDARDS CODES



LISTED

SPACINGS BETWEEN ANY VENTILATED ENCLOSURE PANEL AND ANY ADJACENT WALL SHALL BE A MINIMUM OF 12 INCHES

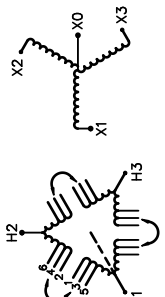
| | | | |
|--------------------------------|---------------------------------|--------------------------|-------|
| Cust. Ref. Ref. du Client | Serial No. No. de Serie | | |
| Phase | HV/HT | 600V | 962A |
| Type | BIL | 10 kV | |
| Cooling Refrondissement | Term Bornes | H1 H2 H3 | |
| kVA | LV/BT | 480Y/277V | 1203A |
| Temp. Rise Echauffement | BIL | 10 kV | |
| Temp Class Classe Temp | Term Bornes | X0 X1 X2 X3 | |
| Winding Enroulement | Energy Regulations | DOE 10 CFR PART 431:2016 | |
| Frequency Hz | Reglements de Énergétique | CEE ACT SOR/2018-201 | |
| Impedance % @ 170°C | | | |
| Encl. Type Type de Coffrage | | | |
| Weight Poids | lbs | 5050 | |

SP LR 3902
DRY TYPE DISTRIBUTION TRANSFORMER
77US E112313

8 03423 12856 2
ALSO REFER TO UNDERWRITERS LABORATORIES INC. 0148
TO ENERGY STANDARDS CODES

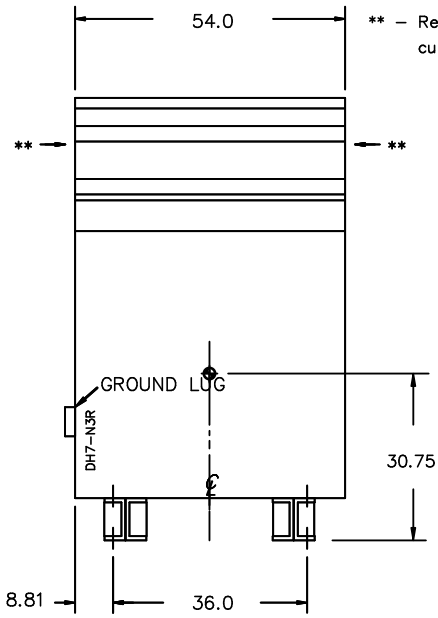
SEISMIC QUALIFICATIONS:
AS FLOOR MOUNT ONLY
IBC 2018/ASCE 7-16
SDS<=2.0g Z/h=0 Ip=1.5

| VOLTS | CURRENT COURANT | % RATED VOLTAGE TENSION NOMINALE | CONNECTION EACH PHASE CONNECTION PAR PHASE |
|-------|--------------------|---|---|
| 630 | 916 | 105 | 1-2 |
| 615 | 939 | 102.5 | 2-3 |
| 600 | 962 | 100 | 3-4 |
| 585 | 987 | 97.5 | 4-5 |
| 570 | 1013 | 95 | 5-6 |

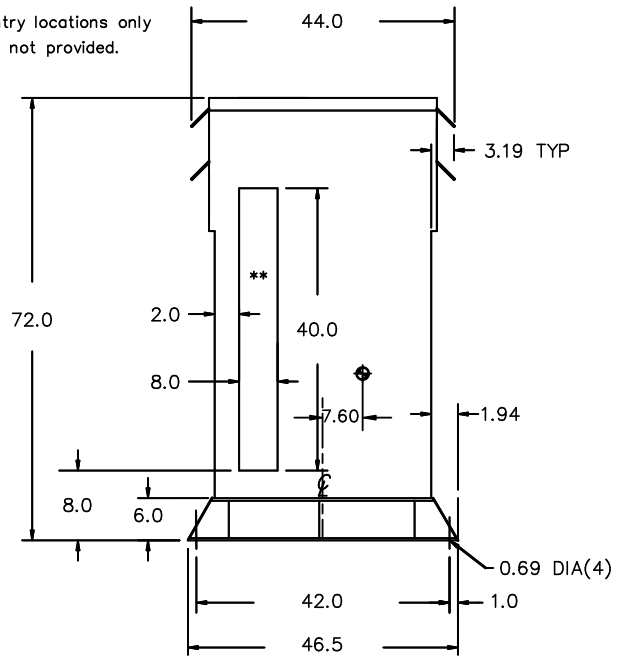


d000186hb

FRONT VIEW



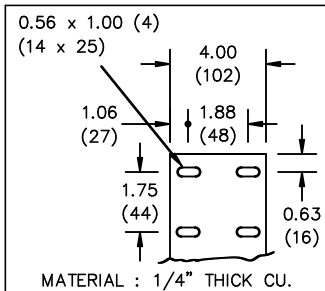
SIDE VIEW



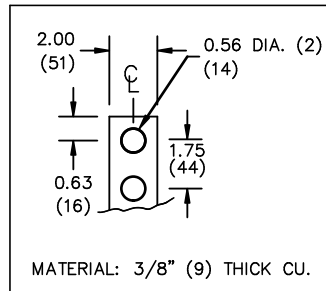
All Dimensions in inches

ENCLOSURE COLOR : ANSI 61 GREY - OUTDOOR

HV TERMINAL DETAIL



LV TERMINAL DETAIL



CUSTOMER NOTES:

- HV TERMINATED AT TOP FRONT
- LV TERMINATED AT BOTTOM FRONT



TITLE: 3PH DISTRIBUTION TRANSFORMER

| | | | | |
|-----|----------|----|------------|----------------|
| 1 | 21/07/16 | PP | EDB UPDATE | DES: PPLICASSI |
| NO. | DATE | BY | REVISION | SCALE: NTS |

SHEET 2 OF 3

EDBSC3A100PKOC

ENCLOSURE BOTTOM VIEW



NOTE:
 WHEN BOTTOM CABLE ENTRY IS OPTED, THE SPACE USED FOR CONDUITS IN THE FRONT OF THE TRANSFORMER SHOULD NOT OBSTRUCT MORE THAN 50% OF THE FRONT AIR INTAKE AREA DEFINED BETWEEN THE BOTTOM PLATE AND THE SUPPORTING LEGS.
 SEE MANUAL FOR ADDITIONAL INFORMATION



TITLE: 3PH DISTRIBUTION TRANSFORMER
 ENCLOSURE BOTTOM VIEW

| | | | | |
|-----|----------|----|------------|---------------|
| 1 | 21/07/16 | PP | EDB UPDATE | DES: PPICASSI |
| NO. | DATE | BY | REVISION | SCALE: NTS |

SHEET 3 OF 3

EDBSG3A100PK0C