



TITLE: 3PH DISTRIBUTION TRANSFORMER.
NAMEPLATE INFORMATION

NO.	DATE	BY	REVISION	DES:	SCALE:
5	24/06/13	DC	ADDED LV AMPS(HCN:81122)	RBHATIA	NTS
4	21/11/25	CS	NPL IMPEDANCE AND WEIGHT UPDATE	DATE: 16/09/19	

SHEET 1 OF 3

EDBSG3A1000PK

5.0 httpd 2026/07/11 19:12

THIS DRAWING CONTAINS STRICTLY CONFIDENTIAL INFORMATION BELONGING TO HAMMOND POWER SOLUTIONS AND MUST NOT BE DISTRIBUTED OUTSIDE AUTHORIZED PARTIES.

Energy Efficient Distribution Transformer
Transformateur de Distribution à Bon Rendement Énergétique

Baraboo, WI
Guelph, ONT
Hyderabad, IN Compton, CA Monterrey, MX

Part No. **SG3A1000PK**

LR 3902
DRY TYPE
CASTFORMER
77US
E112313

LISTED

8 03423 11285Z 4
ALSO REFER TO THE ENERGY STANDARDS BOARD (ESB) BY UNDERWRITERS LABORATORIES INC. @ 316

VOLTS	CURRENT COURANT	% RATED VOLTAGE % TENSION NOMINALE	CONNECTION EACH PHASE CONNECTION PAR PHASE
630	916	105	1-2
615	939	102.5	2-3
600	962	100	3-4
585	987	97.5	4-5
570	1013	95	5-6

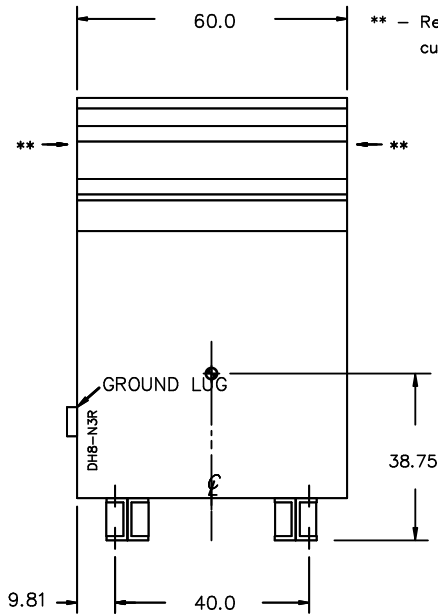
Cust. Ref.	Serial No.	
Ref. du Client	No. de Serie	
Phase	HV/HT	600V 962A
Type	BIL	10 kV
Cooling Refroidissement	Term Bornes	H1 H2 H3
kVA	LV/BT	480Y/277V 1203A
Temp. Rise Échauffement	BIL	10 kV
Temp Class Classe Temp	Term Bornes	X0 X1 X2 X3
Winding Enroulement	Energy Regulations	DOE 10 CFR PART 431:2016
Frequency Hz	Reglements Énergétique	CEE ACT SOR/2018-201
Impedance % @ 170°C		
Encl. Type Type de Coffrage		
Weight lbs/kg Poids		5600/2541

SPACINGS BETWEEN ANY VENTILATED ENCLOSURE PANEL AND ANY ADJACENT WALL SHALL BE A MINIMUM OF 12 INCHES

SEISMIC QUALIFICATIONS:
AS FLOOR MOUNT ONLY
IBC 2018/ASCE 7-16
SDS<=2.0g Z/h=0 Ip=1.5

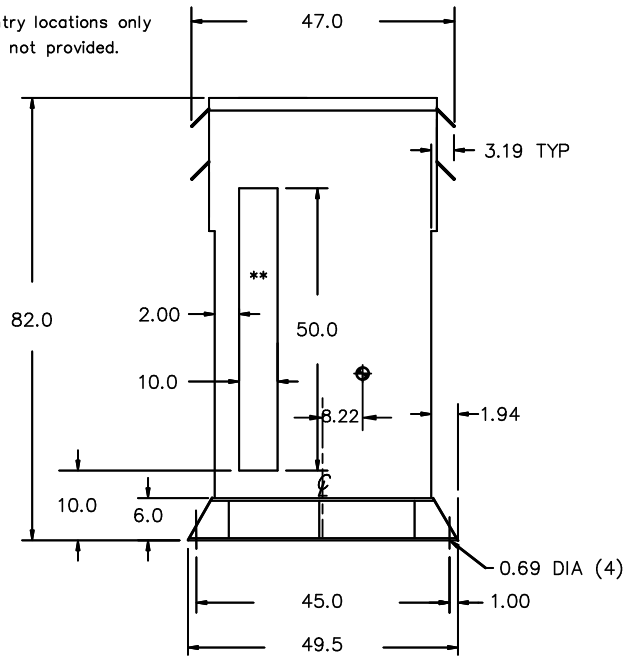
d000186hb

FRONT VIEW



** - Recommended cable entry locations only
cutouts & gland plates not provided.

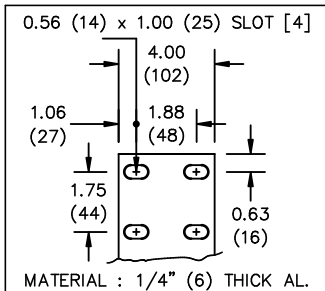
SIDE VIEW



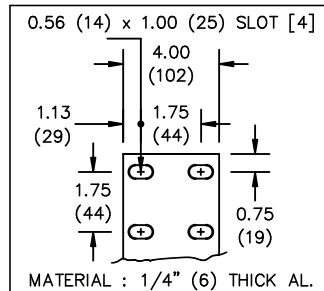
All Dimensions in inches

ENCLOSURE COLOR : ANSI 61 GREY - OUTDOOR

HV TERMINAL DETAIL



LV TERMINAL DETAIL



CUSTOMER NOTES:

- HV TERMINATED AT TOP FRONT
- LV TERMINATED AT BOTTOM FRONT



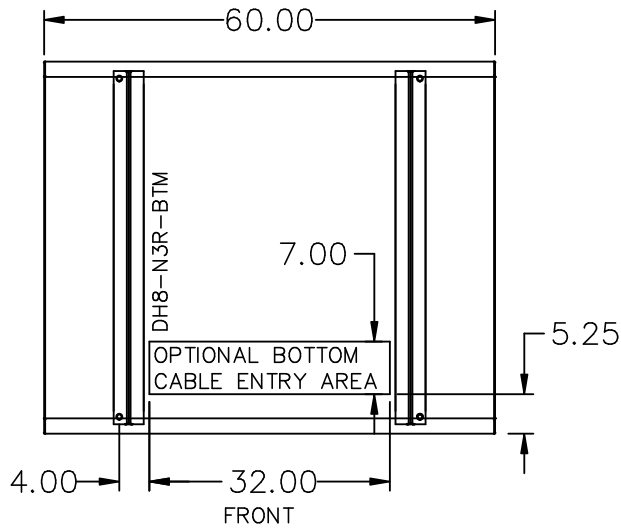
TITLE: 3PH DISTRIBUTION TRANSFORMER.

5	24/06/13	DC	ADDED LV AMPS(HCN: 81122)	DES: RBHATIA
4	21/11/25	CS	NPL IMPEDANCE AND WEIGHT UPDATE	DATE: 16/09/19
NO.	DATE	BY	REVISION	SCALE: NTS

SHEET 2 OF 3

EDBSC3A1000PK

ENCLOSURE BOTTOM VIEW



NOTE:
 WHEN BOTTOM CABLE ENTRY IS OPTED, THE SPACE USED FOR CONDUITS IN THE FRONT OF THE TRANSFORMER SHOULD NOT OBSTRUCT MORE THAN 50% OF THE FRONT AIR INTAKE AREA DEFINED BETWEEN THE BOTTOM PLATE AND THE SUPPORTING LEGS.
 SEE MANUAL FOR ADDITIONAL INFORMATION



TITLE: 3PH DISTRIBUTION TRANSFORMER.
 ENCLOSURE BOTTOM VIEW

5	24/06/13	DC	ADDED LV AMPS(HCN: 81122)	DES: RBHATIA
4	21/11/25	CS	NPL IMPEDANCE AND WEIGHT UPDATE	DATE: 16/09/19
NO.	DATE	BY	REVISION	SCALE: NTS

SHEET 3 OF 3

EDBSC3A1000PK