


- IMPEDANCE SHOWN IS CALCULATED VALUE
- TESTED IMPEDANCE WILL BE SHOWN ON TRANSFORMER NAMEPLATE



POWER SOLUTIONS
Guelph, ONT
Hyderabad, IN Compton, CA

HPS Sentinel™ G
Energy Efficient Distribution Transformer
Transformateur de Distribution à Bon Rendement Énergétique

Baraboo, WI
Monterrey, MX

Part No. **SG3A1000K**

Cust. Ref. [] Serial No. []
Ref. du Client [] No. de Serie []

Phase 3 HV/HT 480V 1203A

Type K BIL 10 kV

Cooling Refroidissement ANN Term Bornes H1 H2 H3

kVA 1000 LV/BT 480Y/277V 1203A

Temp. Rise Echauffement 150 °C BIL 10 kV

Temp Class Classe Temp 220 °C Term Bornes X0 X1 X2 X3

Winding Enroulement AL Energy Regulations DOE 10 CFR PART 431:2016

Frequency Fréquence Hz 60 Reglements de l'Energétique CEE ACT SOR/2018-201

Impedance % @ 170 °C 5.6

Encl. Type Type de Coffrage 3R

Weight Poids lbs 5450

LISTED

UL E112313

LR 3902

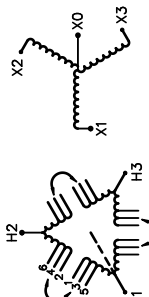
DRY TYPE DISTRIBUTION TRANSFORMER ALSO REFER TO ENERGY STANDARDS CODES BY UNDERWRITERS LABORATORIES INC. @ 316

8 03423112816 6

SPACINGS BETWEEN ANY VENTILATED ENCLOSURE PANEL AND ANY ADJACENT WALL SHALL BE A MINIMUM OF 12 INCHES

VOLTS	CURRENT COURANT	% RATED VOLTAGE % TENSION NOMINALE	CONNECTION EACH PHASE CONNECTION PAR PHASE
509	1135	106	1-2
494	1168	103	2-3
480	1203	100	3-4
466	1240	97	4-5
451	1280	94	5-6

SEISMIC QUALIFICATIONS:
AS FLOOR MOUNT ONLY
IBC 2018/ASCE 7-16
SDS<=2.0g Z/h=0 Ip=1.5



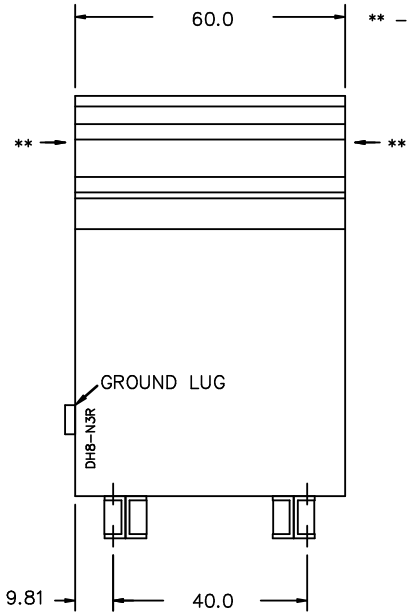


TITLE:		3PH DISTRIBUTION TRANSFORMER NAMEPLATE INFORMATION	
NO.	DATE	BY	REVISION
2	21/07/16	PP	EDB UPDATE
1	20/03/17	PP	SEISMIC UPDATE
			DES: MABDELAT
			DATE: 18/03/29
			SCALE: NTS

SHEET 1 OF 3

EDBSG3A1000K

FRONT VIEW



** - Recommended cable entry locations only
cutouts & gland plates not provided.

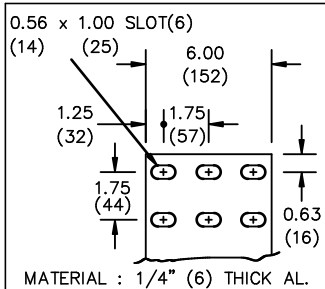
SIDE VIEW



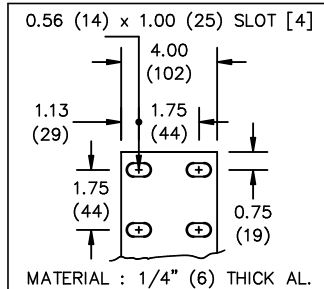
All Dimensions in inches

ENCLOSURE COLOR : ANSI 61 GREY - OUTDOOR

HV TERMINAL DETAIL



LV TERMINAL DETAIL



CUSTOMER NOTES:

- HV TERMINATED AT TOP FRONT
- LV TERMINATED AT BOTTOM FRONT

THIS DRAWING CONTAINS STRICTLY CONFIDENTIAL INFORMATION BELONGING TO HAMMOND POWER SOLUTIONS AND MUST NOT BE DISTRIBUTED OUTSIDE AUTHORIZED PARTIES.



TITLE: 3PH DISTRIBUTION TRANSFORMER

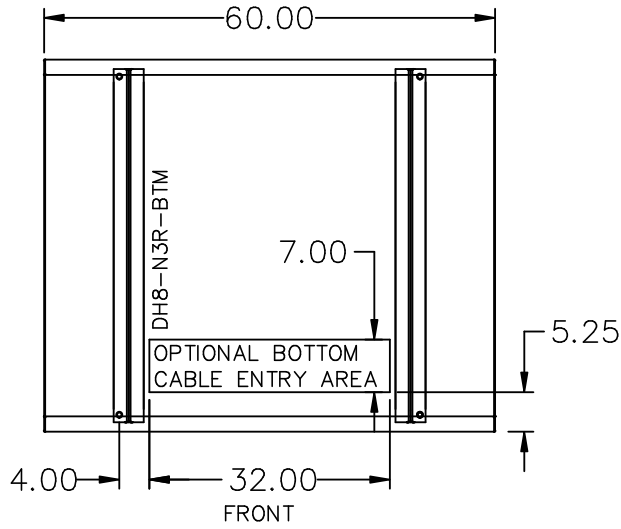
2	21/07/16	PP	EDB UPDATE	DES: MABDELAT
1	20/03/17	PP	SEISMIC UPDATE	DATE: 18/03/29
NO.	DATE	BY	REVISION	SCALE: NTS

SHEET 2 OF 3

EDBSC3A1000KK

2.0 httpd 2026/06/03 18:08

ENCLOSURE BOTTOM VIEW



NOTE:
 WHEN BOTTOM CABLE ENTRY IS OPTED, THE SPACE USED FOR CONDUITS IN THE FRONT OF THE TRANSFORMER SHOULD NOT OBSTRUCT MORE THAN 50% OF THE FRONT AIR INTAKE AREA DEFINED BETWEEN THE BOTTOM PLATE AND THE SUPPORTING LEGS.
 SEE MANUAL FOR ADDITIONAL INFORMATION



TITLE: 3PH DISTRIBUTION TRANSFORMER
 ENCLOSURE BOTTOM VIEW

2	21/07/16	PP	EDB UPDATE	DES: MABELLAT
1	20/03/17	PP	SEISMIC UPDATE	DATE: 18/03/29
NO.	DATE	BY	REVISION	SCALE: NTS

SHEET 3 OF 3

EDBSG3A1000KK