




TITLE: 3PH DISTRIBUTION TRANSFORMER
NAMEPLATE INFORMATION

NO.	DATE	BY	REVISION	DES:	SCALE:
5	21/11/25	CS	NPL IMPEDANCE AND WEIGHT UPDATE	RBHATIA	NTS
4	21/07/16	PP	EDB UPDATE	DATE: 16/12/21	

SHEET 1 OF 3

EDB SG3A1000KB



POWER SOLUTIONS
Guelph, ONT
Hyderabad, IN Compton, CA

HPS Sentinel™ G
Energy Efficient Distribution Transformer
Transformateur de Distribution à Bon Rendement Énergétique

Baraboo, WI
Monterrey, MX

Part No. **SG3A1000KB**

LISTED  **LR 3902**
 DRY TYPE DISTRIBUTION TRANSFORMER
 ALSO LISTED TO ENERGY STANDARDS CANADA C22.2-18
 BY UNDERWRITERS LABORATORIES INC. @ 3148

Cust. Ref.

Ref. du Client

Serial No.

No. de Serie

Phase HV/HT

Type BIL

Cooling Term Bornes

Refroidissement Term Bornes

kVA LV/BT

Temp. Rise °C

Echauffement °C

Temp Class °C

Classe Temp °C

Winding Energy Regulations

Enroulement Energy Regulations

Frequency Hz

Fréquence Hz

Impedance %

Impédance %

Encl. Type

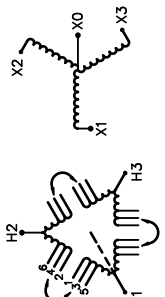
Type de Coffrage

Weight lbs

Poids

VOLTS	CURRENT COURANT	% RATED VOLTAGE TENSION NOMINALE	CONNECTION EACH PHASE CONNECTION PAR PHASE
504	1146	105	1-2
482	1173	102.5	2-3
480	1203	100	3-4
468	1234	97.5	4-5
456	1266	95	5-6

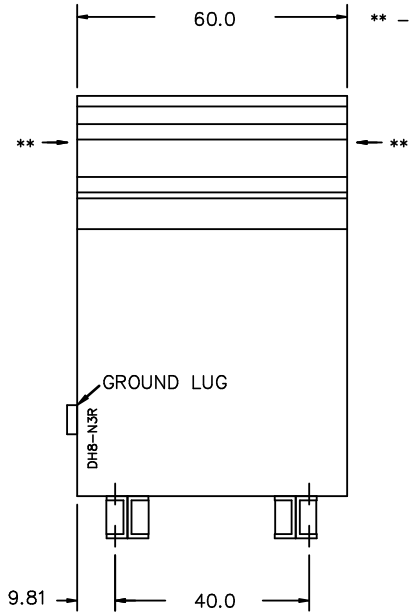
SPACINGS BETWEEN ANY VENTILATED ENCLOSURE PANEL AND ANY ADJACENT WALL SHALL BE A MINIMUM OF 12 INCHES



SEISMIC QUALIFICATIONS:
AS FLOOR MOUNT ONLY
IBC 2018/ASCE 7-16
SDS<=2.0g Z/h=0 Ip=1.5

d000186hb

FRONT VIEW



** - Recommended cable entry locations only
cutouts & gland plates not provided.

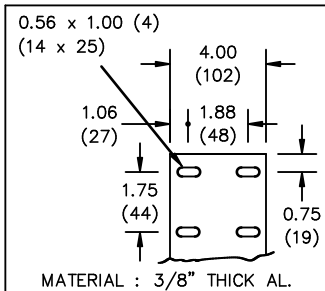
SIDE VIEW



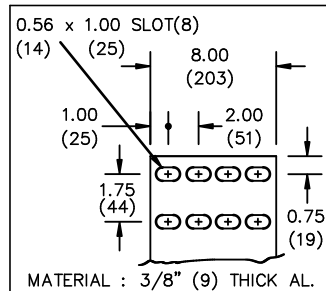
All Dimensions in inches

ENCLOSURE COLOR : ANSI 61 GREY - OUTDOOR

HV TERMINAL DETAIL



LV TERMINAL DETAIL



CUSTOMER NOTES:

- HV TERMINATED AT TOP FRONT
- LV TERMINATED AT BOTTOM FRONT



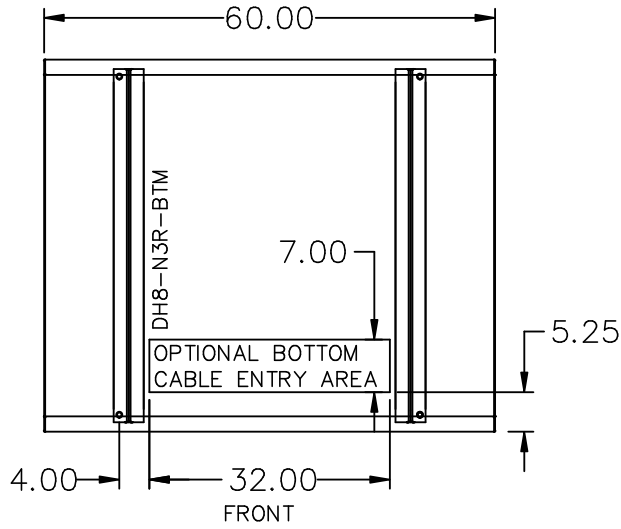
TITLE: 3PH DISTRIBUTION TRANSFORMER

5	21/11/25	CS	NPL IMPEDANCE AND WEIGHT UPDATE	DES: RBHATIA
4	21/07/16	PP	EDB UPDATE	DATE: 16/12/21
NO.	DATE	BY	REVISION	SCALE: NTS

SHEET 2 OF 3

EDBSC3A1000KB

ENCLOSURE BOTTOM VIEW



NOTE:
 WHEN BOTTOM CABLE ENTRY IS OPTED, THE SPACE USED FOR CONDUITS IN THE FRONT OF THE TRANSFORMER SHOULD NOT OBSTRUCT MORE THAN 50% OF THE FRONT AIR INTAKE AREA DEFINED BETWEEN THE BOTTOM PLATE AND THE SUPPORTING LEGS.
 SEE MANUAL FOR ADDITIONAL INFORMATION



TITLE: 3PH DISTRIBUTION TRANSFORMER
 ENCLOSURE BOTTOM VIEW

5	21/11/25	CS	NPL IMPEDANCE AND WEIGHT UPDATE	DES: RBHATIA
4	21/07/16	PP	EDB UPDATE	DATE: 16/12/21
NO.	DATE	BY	REVISION	SCALE: NTS

SHEET 3 OF 3

EDBSC3A1000KB