



TITLE: 3PH DISTRIBUTION TRANSFORMER
NAMEPLATE INFORMATION


NO.	DATE	BY	REVISION
2	21/07/16	PP	EDB UPDATE
1	20/03/17	PP	SEISMIC UPDATE
			DES: DCORTEZ
			DATE: 18/07/23
			SCALE: NTS

SHEET 1 OF 3

EDB SG3A0750PKOC

2.0 httpd 2026/04/01 20:07

THIS DRAWING CONTAINS STRICTLY CONFIDENTIAL INFORMATION BELONGING TO HAMMOND POWER SOLUTIONS AND MUST NOT BE DISTRIBUTED OUTSIDE AUTHORIZED PARTIES.



POWER SOLUTIONS
Guelph, ONT
Hyderabad, IN Compton, CA

HPS Sentinel™ G
Energy Efficient Distribution Transformer
Transformateur de Distribution à Bon Rendement Énergétique

Baraboo, WI
Monterrey, MX

Part No. **SG3A0750PKOC**

DRY TYPE TRANSFORMER
77US E112313

LR 3902

03423172855

ALSO REFER TO ENERGY STANDARDS CRO2015-18
BY UNDERWRITERS LABORATORIES INC. 0148

LISTED

Serial No. []
No. de Serie []

Phase 3 HV/HT

Type K BIL

Cooling Refroidissement ANN Term Bornes

kVA 750 LV/BT 480Y/277V 902A

Temp. Rise Echauffement 150 °C

Temp Class Classe Temp 220 °C

Winding Enroulement CU Energy Regulations

Frequency Fréquence Hz 60 Reglements de l'Energétique

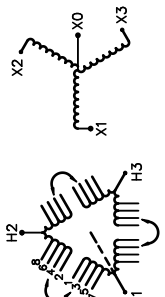
Impedance % @ 170 °C 5.7

Encl. Type Type de Coffrage 3R

Weight Poids lbs 4250

VOLTS	CURRENT COURANT	% RATED VOLTAGE % TENSION NOMINALE	CONNECTION EACH PHASE CONNECTION PAR PHASE
630	687	105	1-2
615	704	102.5	2-3
600	722	100	3-4
585	740	97.5	4-5
570	760	95	5-6
555	780	92.5	6-7
540	802	90	7-8

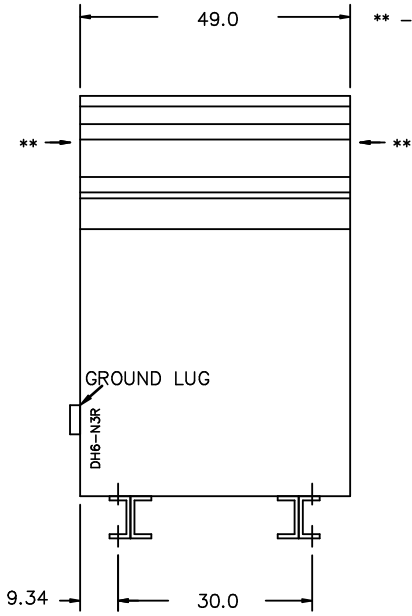
SPACINGS BETWEEN ANY VENTILATED ENCLOSURE PANEL AND ANY ADJACENT WALL SHALL BE A MINIMUM OF 12 INCHES



SEISMIC QUALIFICATIONS:
AS FLOOR MOUNT ONLY
IBC 2018/ASCE 7-16
SDS<=2.0g Z/h=0 Ip=1.5

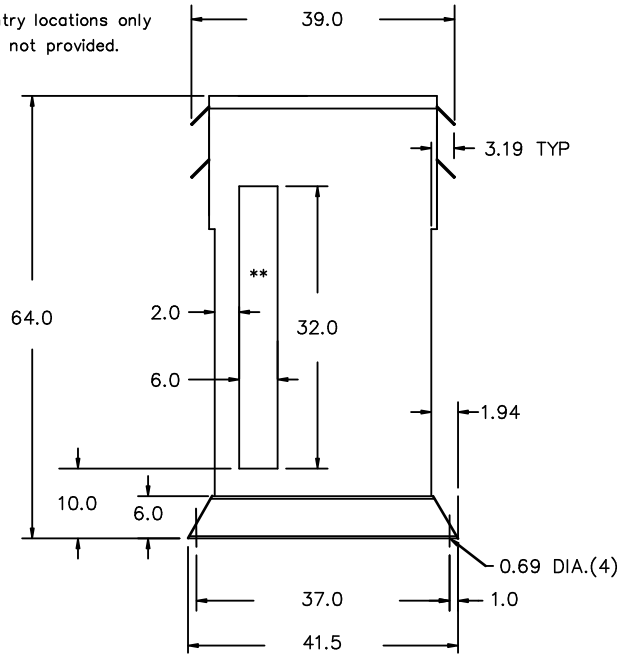
d000186hb

FRONT VIEW



** - Recommended cable entry locations only
cutouts & gland plates not provided.

SIDE VIEW



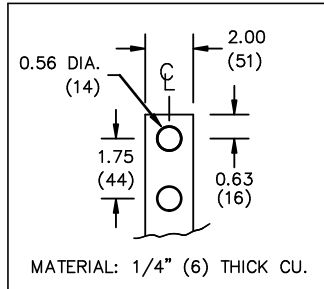
All Dimensions in inches

ENCLOSURE COLOR : ANSI 61 GREY - OUTDOOR

HV TERMINAL DETAIL



LV TERMINAL DETAIL



CUSTOMER NOTES:

- HV TERMINATED AT TOP FRONT
- LV TERMINATED AT BOTTOM FRONT



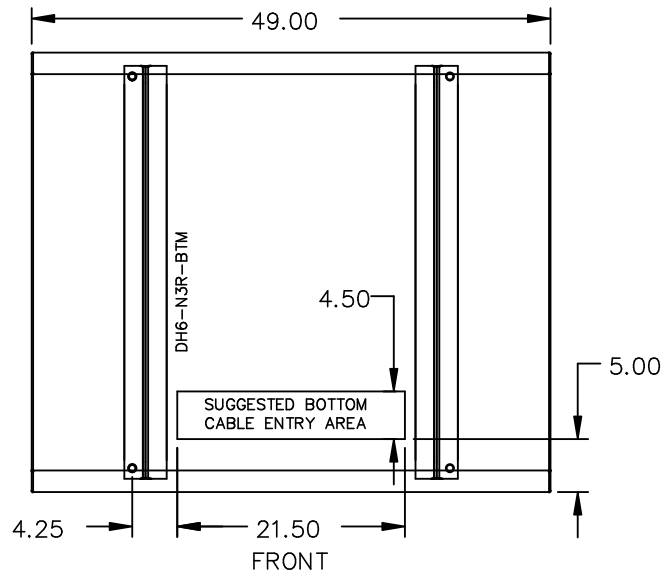
TITLE: 3PH DISTRIBUTION TRANSFORMER

2	21/07/16	PP	EDB UPDATE	DES: DCORTEZ
1	20/03/17	PP	SEISMIC UPDATE	DATE: 18/07/23
NO.	DATE	BY	REVISION	SCALE: NTS

SHEET 2 OF 3

EDBSC3A0750PKOC

ENCLOSURE BOTTOM VIEW



NOTE:
 WHEN BOTTOM CABLE ENTRY IS OPTED, THE SPACE USED FOR CONDUITS IN THE FRONT OF THE TRANSFORMER SHOULD NOT OBSTRUCT MORE THAN 50% OF THE FRONT AIR INTAKE AREA DEFINED BETWEEN THE BOTTOM PLATE AND THE SUPPORTING LEGS.
 SEE MANUAL FOR ADDITIONAL INFORMATION



TITLE: 3PH DISTRIBUTION TRANSFORMER
 ENCLOSURE BOTTOM VIEW

2	21/07/16	PP	EDB UPDATE	DES: DCORTEZ
1	20/03/17	PP	SEISMIC UPDATE	DATE: 18/07/23
NO.	DATE	BY	REVISION	SCALE: NTS

SHEET 3 OF 3

EDBSC3A0750PKOC