

- IMPEDANCE SHOWN IS CALCULATED VALUE - NOT GUARANTEED




TITLE: 3PH DISTRIBUTION TRANSFORMER
NAMEPLATE INFORMATION

DES:	DCORTEZ
DATE:	23/09/13
SCALE:	NTS

SHEET 1 OF 3

EDBSG3A0750KYOC

0.3 httpd 2026/05/05 10:26




POWER SOLUTIONS
Guelph, ONT
Hyderabad, IN Compton, CA

HPS Sentinel™ G
Energy Efficient Distribution Transformer
Transformateur de Distribution à Bon Rendement Énergétique

Baraboo, WI
Monterrey, MX

Part No. **SG3A0750KYOC**


LISTED



UL 715 E112313
UL 3902
UL 155

DRY TYPE DISTRIBUTION TRANSFORMER
ALSO REFER TO THE FOLLOWING STANDARDS:
UL 715 AND IEC 60074-18
BY UNDERWRITERS LABORATORIES INC. @ 316

034231128135



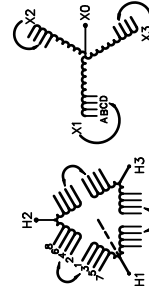
0000186hb

VOLTS	CURRENT COURANT	% RATED VOLTAGE % TENSION NOMINALE	CONNECTION EACH PHASE CONNECTION PAR PHASE
504	859	105	1-2
492	880	102.5	2-3
480	902	100	3-4
468	925	97.5	4-5
456	950	95	5-6
444	975	92.5	6-7
432	1002	90	7-8
SECONDARY			
440	984.1		A
416	1040.8		B
393	1101.8		C
370	1170.3		D

SPACINGS BETWEEN ANY VENTILATED ENCLOSURE PANEL AND ANY ADJACENT WALL SHALL BE A MINIMUM OF 12 INCHES

RATOR ERROR +/- 1.3% MAXIMUM AT SOME SECONDARY TAPS ONLY ONE LV TAP IN USE AT A TIME

FOR DESIRED SECONDARY TAP VOLTAGE, RE-LOCATE PROVIDED TERMINATION PADS

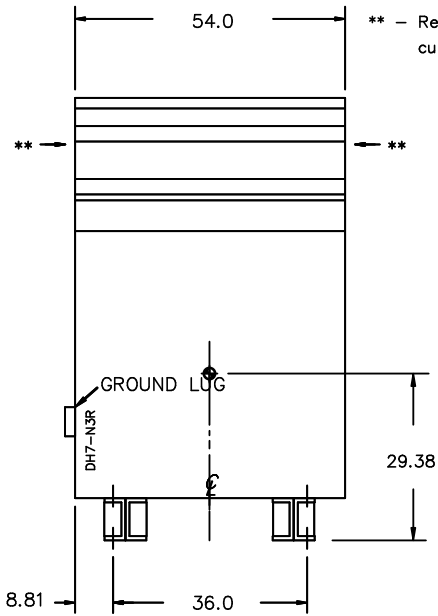


SEISMIC QUALIFICATIONS:
AS FLOOR MOUNT ONLY
IBC 2018/ASCE 7-16
SDS<=2.0g Z/h=0 Ip=1.5

Cust. Ref.	Serial No.	
Ref. du Client	No. de Serie	
Phase	HV/HT	480V 902A
Type	BIL	10 kV
Cooling Refroidissement	Term Bornes	H1 H2 H3
kVA	LV/BT	393Y /227V 1101.8A
Temp. Rise Échauffement	BIL	10 kV
Temp Class Classe Temp	Term Bornes	X0 X1 X2 X3
Winding Enroulement	CU	DOE 10 CFR PART 431:2016
Frequency Fréquence Hz	60	Reglements de Énergétique
Impedance % @ 170 °C	6.0	CEE ACT SOR/2018-201
Encl. Type Type de Coffrage	3R	
Weight Poids	4680/2123	

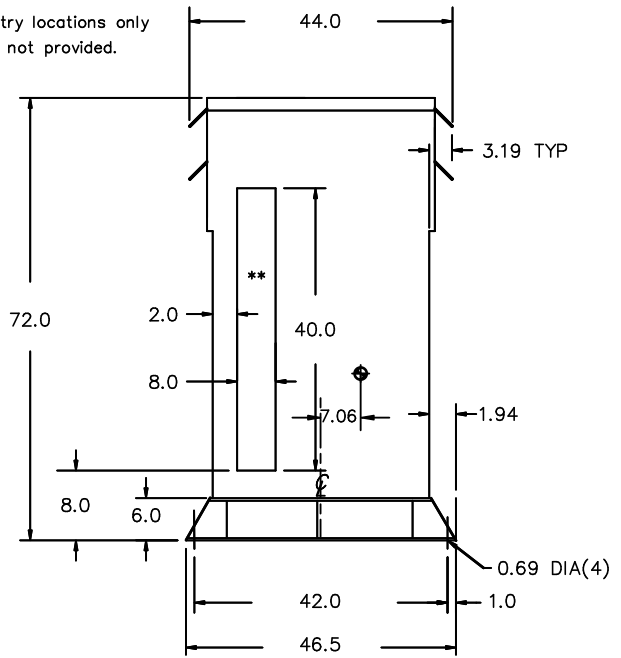
THIS DRAWING CONTAINS STRICKLY CONFIDENTIAL INFORMATION BELONGING TO HAMMOND POWER SOLUTIONS AND MUST NOT BE DISTRIBUTED OUTSIDE AUTHORIZED PARTIES.

FRONT VIEW



** - Recommended cable entry locations only cutouts & gland plates not provided.

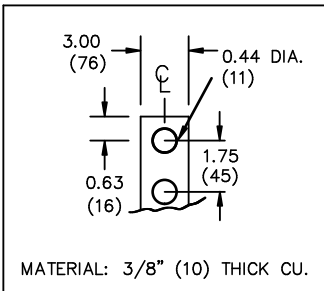
SIDE VIEW



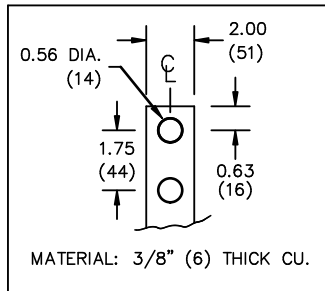
All Dimensions in inches

ENCLOSURE COLOR : ANSI 61 GREY - OUTDOOR

HV TERMINAL DETAIL



LV TERMINAL DETAIL



CUSTOMER NOTES:

- HV TERMINATED AT TOP FRONT
- LV TERMINATED AT BOTTOM FRONT



TITLE: 3PH DISTRIBUTION TRANSFORMER

DES:	DCORTEZ
DATE:	23/09/13
SCALE:	NTS

SHEET 2 OF 3

EDBSC3A0750K100

ENCLOSURE BOTTOM VIEW



NOTE:
 WHEN BOTTOM CABLE ENTRY IS OPTED, THE SPACE USED FOR CONDUITS IN THE FRONT OF THE TRANSFORMER SHOULD NOT OBSTRUCT MORE THAN 50% OF THE FRONT AIR INTAKE AREA DEFINED BETWEEN THE BOTTOM PLATE AND THE SUPPORTING LEGS.
 SEE MANUAL FOR ADDITIONAL INFORMATION



TITLE: 3PH DISTRIBUTION TRANSFORMER
 ENCLOSURE BOTTOM VIEW

				DES: DCORTEZ
				DATE: 23/09/13
NO.	DATE	BY	REVISION	SCALE: NTS

SHEET 3 OF 3

EDBSC3A0750K10C