



TITLE: 3PH DISTRIBUTION TRANSFORMER
NAMEPLATE INFORMATION


3	21/07/16	PP	EDB UPDATE	DES: MABDELAT
2	20/03/17	PP	SEISMIC UPDATE	DATE: 16/03/29
NO.	DATE	BY	REVISION	SCALE: NTS

SHEET 1 OF 3

EDBSC3A0750BK

3.1 httpd 2026/05/27 17:12

THIS DRAWING CONTAINS STRICTLY CONFIDENTIAL INFORMATION BELONGING TO HAMMOND POWER SOLUTIONS AND MUST NOT BE DISTRIBUTED OUTSIDE AUTHORIZED PARTIES.



POWER SOLUTIONS
Guelph, ONT
Hyderabad, IN Compton, CA

HPS Sentinel™ G
Energy Efficient Distribution Transformer
Transformateur de Distribution à Bon Rendement Énergétique

Baraboo, WI
Monterrey, MX

Part No. **SG3A0750BK**

Serial No.
No. de Serie

3

HV/HT

480Y/277V

902A

BIL

10 kV

Term Bornes

H0 H1 H2 H3

2082A

150 °C

10 kV

X1 X2 X3

220 °C

DOE 10 CFR PART 431:2016

CEE ACT SOR/2018-201

AL

Energy Regulations

60

5.4

Reglements de l'Energétique

3R

4990/2264

Weight lbs/kg

Foids

Cust. Ref.
Ref. du Client

Serial No.
No. de Serie

HV/HT

3

480Y/277V

902A

K

10 kV

Term Bornes

ANN

H0 H1 H2 H3

2082A

750

10 kV

X1 X2 X3

150 °C

10 kV

DOE 10 CFR PART 431:2016

220 °C

CEE ACT SOR/2018-201

60

AL

Energy Regulations

5.4

3R

Reglements de l'Energétique

4990/2264

4990/2264

Weight lbs/kg

Foids

Cust. Ref.
Ref. du Client

Serial No.
No. de Serie

HV/HT

3

480Y/277V

902A

K

10 kV

Term Bornes

ANN

H0 H1 H2 H3

2082A

750

10 kV

X1 X2 X3

150 °C

10 kV

DOE 10 CFR PART 431:2016

220 °C

CEE ACT SOR/2018-201

60

AL

Energy Regulations

5.4

3R

Reglements de l'Energétique

4990/2264

4990/2264

Weight lbs/kg

Foids

Cust. Ref.
Ref. du Client

Serial No.
No. de Serie

HV/HT

3

480Y/277V

902A

K

10 kV

Term Bornes

ANN

H0 H1 H2 H3

2082A

750

10 kV

X1 X2 X3

150 °C

10 kV

DOE 10 CFR PART 431:2016

220 °C

CEE ACT SOR/2018-201

60

AL

Energy Regulations

5.4

3R

Reglements de l'Energétique

4990/2264

4990/2264

Weight lbs/kg

Foids

Cust. Ref.
Ref. du Client

Serial No.
No. de Serie

HV/HT

3

480Y/277V

902A

K

10 kV

Term Bornes

ANN

H0 H1 H2 H3

2082A

750

10 kV

X1 X2 X3

150 °C

10 kV

DOE 10 CFR PART 431:2016

220 °C

CEE ACT SOR/2018-201

60

AL

Energy Regulations

5.4

3R

Reglements de l'Energétique

4990/2264

4990/2264

Weight lbs/kg

Foids

Cust. Ref.
Ref. du Client

Serial No.
No. de Serie

HV/HT

3

480Y/277V

902A

K

10 kV

Term Bornes

ANN

H0 H1 H2 H3

2082A

750

10 kV

X1 X2 X3

150 °C

10 kV

DOE 10 CFR PART 431:2016

220 °C

CEE ACT SOR/2018-201

60

AL

Energy Regulations

5.4

3R

Reglements de l'Energétique

4990/2264

4990/2264

Weight lbs/kg

Foids

Cust. Ref.
Ref. du Client

Serial No.
No. de Serie

HV/HT

3

480Y/277V

902A

K

10 kV

Term Bornes

ANN

H0 H1 H2 H3

2082A

750

10 kV

X1 X2 X3

150 °C

10 kV

DOE 10 CFR PART 431:2016

220 °C

CEE ACT SOR/2018-201

60

AL

Energy Regulations

5.4

3R

Reglements de l'Energétique

4990/2264

4990/2264

Weight lbs/kg

Foids

Cust. Ref.
Ref. du Client

Serial No.
No. de Serie

HV/HT

3

480Y/277V

902A

K

10 kV

Term Bornes

ANN

H0 H1 H2 H3

2082A

750

10 kV

X1 X2 X3

150 °C

10 kV

DOE 10 CFR PART 431:2016

220 °C

CEE ACT SOR/2018-201

60

AL

Energy Regulations

5.4

3R

Reglements de l'Energétique

4990/2264

4990/2264

Weight lbs/kg

Foids

Cust. Ref.
Ref. du Client

Serial No.
No. de Serie

HV/HT

3

480Y/277V

902A

K

10 kV

Term Bornes

ANN

H0 H1 H2 H3

2082A

750

10 kV

X1 X2 X3

150 °C

10 kV

DOE 10 CFR PART 431:2016

220 °C

CEE ACT SOR/2018-201

60

AL

Energy Regulations

5.4

3R

Reglements de l'Energétique

4990/2264

4990/2264

Weight lbs/kg

Foids

Cust. Ref.
Ref. du Client

Serial No.
No. de Serie

HV/HT

3

480Y/277V

902A

K

10 kV

Term Bornes

ANN

H0 H1 H2 H3

2082A

750

10 kV

X1 X2 X3

150 °C

10 kV

DOE 10 CFR PART 431:2016

220 °C

CEE ACT SOR/2018-201

60

AL

Energy Regulations

5.4

3R

Reglements de l'Energétique

4990/2264

4990/2264

Weight lbs/kg

Foids

Cust. Ref.
Ref. du Client

Serial No.
No. de Serie

HV/HT

3

480Y/277V

902A

K

10 kV

Term Bornes

ANN

H0 H1 H2 H3

2082A

750

10 kV

X1 X2 X3

150 °C

10 kV

DOE 10 CFR PART 431:2016

220 °C

CEE ACT SOR/2018-201

60

AL

Energy Regulations

5.4

3R

Reglements de l'Energétique

4990/2264

4990/2264

Weight lbs/kg

Foids

Cust. Ref.
Ref. du Client

Serial No.
No. de Serie

HV/HT

3

480Y/277V

902A

K

10 kV

Term Bornes

ANN

H0 H1 H2 H3

2082A

750

10 kV

X1 X2 X3

150 °C

10 kV

DOE 10 CFR PART 431:2016

220 °C

CEE ACT SOR/2018-201

60

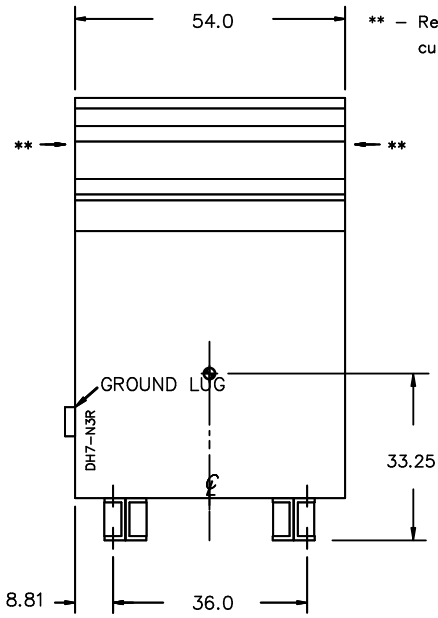
AL

Energy Regulations

5.4

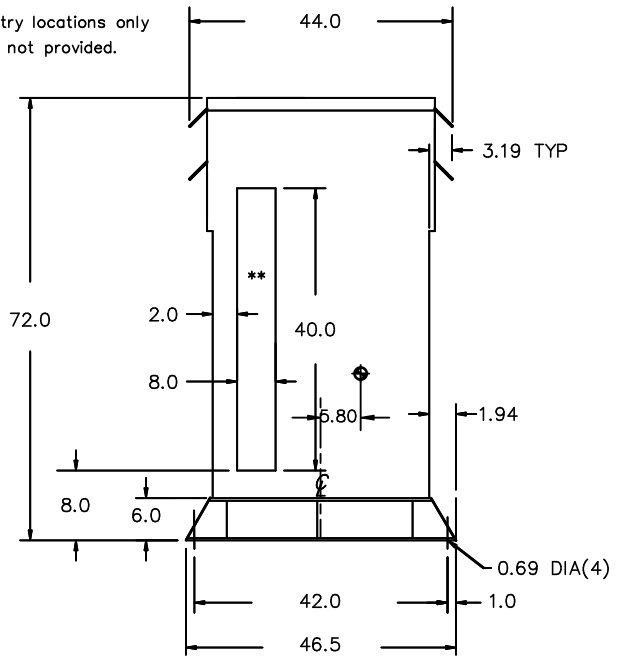
</

FRONT VIEW



** - Recommended cable entry locations only cutouts & gland plates not provided.

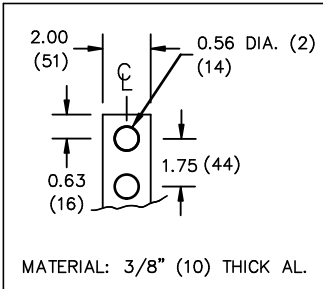
SIDE VIEW



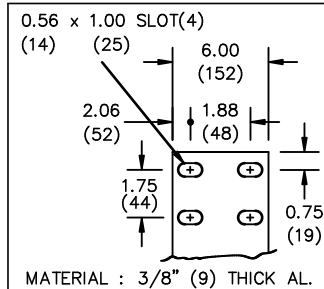
All Dimensions in inches

ENCLOSURE COLOR : ANSI 61 GREY - OUTDOOR

HV TERMINAL DETAIL



LV TERMINAL DETAIL



CUSTOMER NOTES:

- HV TERMINATED AT BOTTOM FRONT
- LV TERMINATED AT TOP FRONT



TITLE: 3PH DISTRIBUTION TRANSFORMER

3	21/07/16	PP	EDB UPDATE	DES: MABDELAT
2	20/03/17	PP	SEISMIC UPDATE	DATE: 16/03/29
NO.	DATE	BY	REVISION	SCALE: NTS

SHEET 2 OF 3

EDBSC3A0750BK

3.1 httpd 2026/05/27 17:12

THIS DRAWING CONTAINS STRICTLY CONFIDENTIAL INFORMATION BELONGING TO HAMMOND POWER SOLUTIONS AND MUST NOT BE DISTRIBUTED OUTSIDE AUTHORIZED PARTIES.

ENCLOSURE BOTTOM VIEW



NOTE:
 WHEN BOTTOM CABLE ENTRY IS OPTED, THE SPACE USED FOR CONDUITS IN THE FRONT OF THE TRANSFORMER SHOULD NOT OBSTRUCT MORE THAN 50% OF THE FRONT AIR INTAKE AREA DEFINED BETWEEN THE BOTTOM PLATE AND THE SUPPORTING LEGS.
 SEE MANUAL FOR ADDITIONAL INFORMATION



TITLE: 3PH DISTRIBUTION TRANSFORMER
 ENCLOSURE BOTTOM VIEW

3	21/07/16	PP	EDB UPDATE	DES: MABDELAT
2	20/03/17	PP	SEISMIC UPDATE	DATE: 16/03/29
NO.	DATE	BY	REVISION	SCALE: NTS

SHEET 3 OF 3

EDBSC3A0750BK