



TITLE: 3PH DISTRIBUTION TRANSFORMER
NAMEPLATE INFORMATION


NO.	DATE	BY	REVISION	SCALE:
2	21/07/16	PP	EDB UPDATE	DES: PPI/CASSI
1	20/03/17	PP	SEISMIC UPDATE	DATE: 19/03/01
				SCALE: NTS

SHEET 1 OF 3

EDB SG3A0500PBOC

2.1 httpd 2026/04/04 18:52

THIS DRAWING CONTAINS STRICTLY CONFIDENTIAL INFORMATION BELONGING TO HAMMOND POWER SOLUTIONS AND MUST NOT BE DISTRIBUTED OUTSIDE AUTHORIZED PARTIES.



POWER SOLUTIONS
Guelph, ONT
Hyderabad, IN Compton, CA

HPS Sentinel™ G
Energy Efficient Distribution Transformer
Transformateur de Distribution à Bon Rendement Énergétique

Baraboo, WI
Monterrey, MX

Part No. **SG3A0500PBOC**

Cust. Ref. []
Ref. du Client []

Phase 3

Type K

Cooling Refroidissement ANN

kVA 500

Temp. Rise Echauffement 150 °C

Temp Class Classe Temp 220 °C

Winding Enroulement CU

Frequency Fréquence Hz 60

Impedance % @ 170 °C 5.2

Encl. Type Type de Coffrage 3R

Weight Poids lbs 3300

Serial No. No. de Serie []

HV/HT 600V

BIL 481A

Term Bornes 10 kV

LV/BT 208Y/120V

BIL 1388A

Term Bornes 10 kV

Energy Regulations de Réglementation Énergétique X0 X1 X2 X3

DOE 10 CFR PART 431:2016

CEE ACT SOR/2018-201

DRY TYPE TRANSFORMER 77US E112313

UL LISTED

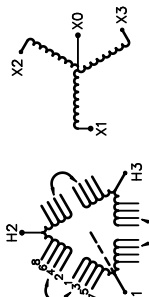
LR 3902

03423172825

ALSO REFER TO ENERGY STANDARDS BOARD BY UNDERWRITERS LABORATORIES INC. @ 316

VOLTS	CURRENT COURANT	% RATED VOLTAGE % TENSION NOMINALE	CONNECTION EACH PHASE CONNECTION PAR PHASE
630	458	105	1-2
615	469	102.5	2-3
600	481	100	3-4
585	493	97.5	4-5
570	506	95	5-6
555	520	92.5	6-7
540	535	90	7-8

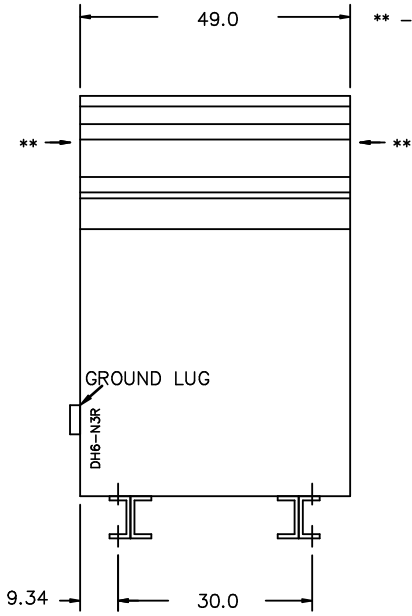
SPACINGS BETWEEN ANY VENTILATED ENCLOSURE PANEL AND ANY ADJACENT WALL SHALL BE A MINIMUM OF 12 INCHES



SEISMIC QUALIFICATIONS:
AS FLOOR MOUNT ONLY
IBC 2018/ASCE 7-16
SDS<=2.0g Z/h=0 Ip=1.5

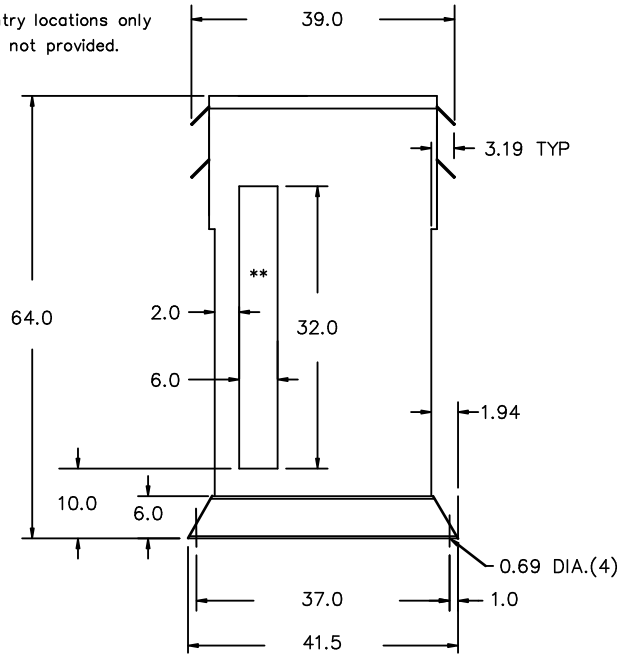
d000186hb

FRONT VIEW



** - Recommended cable entry locations only
cutouts & gland plates not provided.

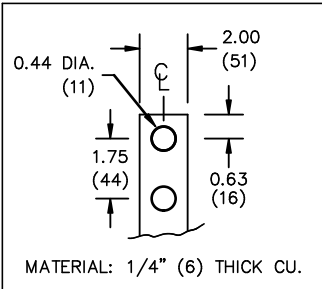
SIDE VIEW



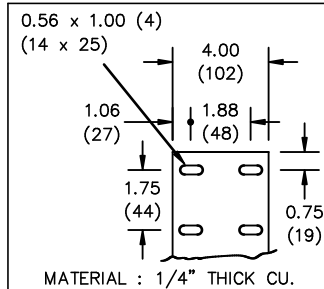
All Dimensions in inches

ENCLOSURE COLOR : ANSI 61 GREY - OUTDOOR

HV TERMINAL DETAIL



LV TERMINAL DETAIL



CUSTOMER NOTES:

- HV TERMINATED AT TOP FRONT
- LV TERMINATED AT BOTTOM FRONT



TITLE: 3PH DISTRIBUTION TRANSFORMER

2	21/07/16	PP	EDB UPDATE	DES: PPLICASSI
1	20/03/17	PP	SEISMIC UPDATE	DATE: 19/03/01
NO.	DATE	BY	REVISION	SCALE: NTS

SHEET 2 OF 3

EDBSC3A0500PBOC

2.1 httpd 2026/04/04 18:52

THIS DRAWING CONTAINS STRICTLY CONFIDENTIAL INFORMATION BELONGING TO HAMMOND POWER SOLUTIONS AND MUST NOT BE DISTRIBUTED OUTSIDE AUTHORIZED PARTIES.

ENCLOSURE BOTTOM VIEW



NOTE:
 WHEN BOTTOM CABLE ENTRY IS OPTED, THE SPACE USED FOR CONDUITS IN THE FRONT OF THE TRANSFORMER SHOULD NOT OBSTRUCT MORE THAN 50% OF THE FRONT AIR INTAKE AREA DEFINED BETWEEN THE BOTTOM PLATE AND THE SUPPORTING LEGS.
 SEE MANUAL FOR ADDITIONAL INFORMATION



TITLE: 3PH DISTRIBUTION TRANSFORMER
 ENCLOSURE BOTTOM VIEW

2	21/07/16	PP	EDB UPDATE	DES: PPICASSI
1	20/03/17	PP	SEISMIC UPDATE	DATE: 19/03/01
NO.	DATE	BY	REVISION	SCALE: NTS

SHEET 3 OF 3

EDBSC3A0500PBOC