



TITLE: 3PH DISTRIBUTION TRANSFORMER  
NAMEPLATE INFORMATION


NO.	DATE	BY	REVISION
3	21/07/16	PP	EDB UPDATE
2	20/03/17	PP	SEISMIC UPDATE
			DES: JWEN
			DATE: 15/11/09
			SCALE: NTS

SHEET 1 OF 3

EDBSC3A0500PB

3.1 httpd 2026/05/28 12:42

THIS DRAWING CONTAINS STRICTLY CONFIDENTIAL INFORMATION BELONGING TO HAMMOND POWER SOLUTIONS AND MUST NOT BE DISTRIBUTED OUTSIDE AUTHORIZED PARTIES.



**POWER SOLUTIONS**  
Guelph, ONT  
Hyderabad, IN Compton, CA

**HPS Sentinel™ G**  
Energy Efficient Distribution Transformer  
Transformateur de Distribution à Bon Rendement Énergétique

Baraboo, WI  
Monterrey, MX

Part No. **SG3A0500PB**

**hammond** LR 3902

DRY TYPE  
TRANSFORMER  
77US  
E112313

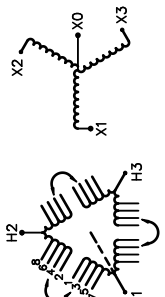
ALSO REFER TO THE FOLLOWING STANDARDS:  
UL 1568 AND IEC 60076-18  
BY UNDERWRITERS LABORATORIES INC. @ 3148

**LISTED**

SPACINGS BETWEEN ANY VENTILATED ENCLOSURE PANEL AND ANY ADJACENT WALL SHALL BE A MINIMUM OF 12 INCHES

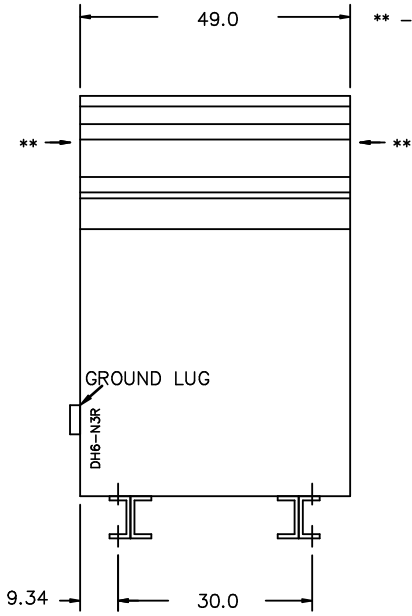
SEISMIC QUALIFICATIONS:  
AS FLOOR MOUNT ONLY  
IBC 2018/ASCE 7-16  
SDS<=2.0g Z/h=0 Ip=1.5

VOLTS	CURRENT COURANT	% RATED VOLTAGE TENSION NOMINALE	CONNECTION EACH PHASE CONNECTION PAR PHASE
630	458	105	1-2
615	469	102.5	2-3
600	481	100	3-4
585	493	97.5	4-5
570	506	95	5-6
555	520	92.5	6-7
540	535	90	7-8



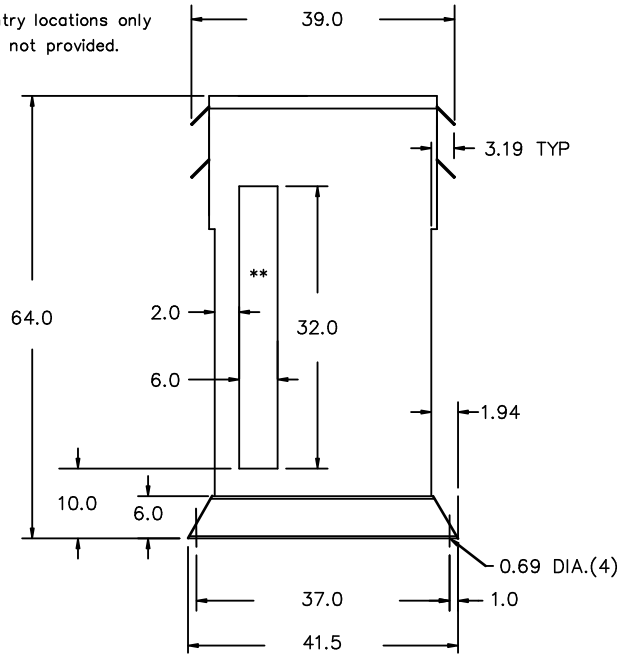
d000186hb

FRONT VIEW



\*\* - Recommended cable entry locations only cutouts & gland plates not provided.

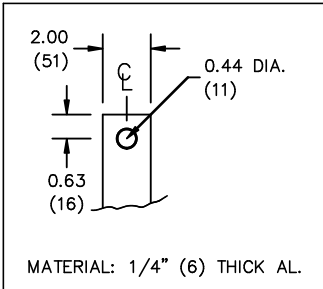
SIDE VIEW



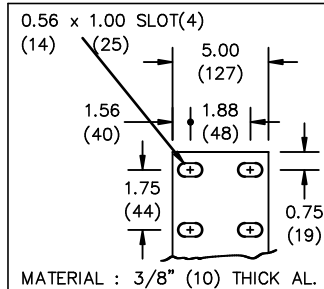
All Dimensions in inches

ENCLOSURE COLOR : ANSI 61 GREY - OUTDOOR

H.V.1. TERMINAL DETAIL



L.V.1. TERMINAL DETAIL



CUSTOMER NOTES:

- HV1 TERMINATED AT TOP FRONT
- LV1 TERMINATED AT BOTTOM FRONT



TITLE: 3PH DISTRIBUTION TRANSFORMER

3	21/07/16	PP	EDB UPDATE	DES: JWEN
2	20/03/17	PP	SEISMIC UPDATE	DATE: 15/11/09
NO.	DATE	BY	REVISION	SCALE: NTS

SHEET 2 OF 3

EDBSC3A0500PB

ENCLOSURE BOTTOM VIEW



NOTE:  
WHEN BOTTOM CABLE ENTRY IS OPTED, THE SPACE USED FOR CONDUITS IN THE FRONT OF THE TRANSFORMER SHOULD NOT OBSTRUCT MORE THAN 50% OF THE FRONT AIR INTAKE AREA DEFINED BETWEEN THE BOTTOM PLATE AND THE SUPPORTING LEGS.  
SEE MANUAL FOR ADDITIONAL INFORMATION



TITLE: 3PH DISTRIBUTION TRANSFORMER  
ENCLOSURE BOTTOM VIEW

3	21/07/16	PP	EDB UPDATE	DES: JWEN
2	20/03/17	PP	SEISMIC UPDATE	DATE: 15/11/09
NO.	DATE	BY	REVISION	SCALE: NTS

SHEET 3 OF 3

EDBSC3A0500PB