




TITLE: 3PH DISTRIBUTION TRANSFORMER
NAMEPLATE INFORMATION

NO.	DATE	BY	REVISION	SCALE:
2	21/07/16	PP	EDB UPDATE	DES: RMOVVA
1	20/03/17	PP	SEISMIC UPDATE	DATE: 19/04/04
				NTS

SHEET 1 OF 3

EDBSG3A0500KYOC

2.1 httpd 2026/06/12 20:26




POWER SOLUTIONS
Guelph, ONT
Hyderabad, IN Compton, CA

HPS Sentinel™ G
Energy Efficient Distribution Transformer
Transformateur de Distribution à Bon Rendement Énergétique

Baraboo, WI
Monterrey, MX

Part No. **SG3A0500KYOC**

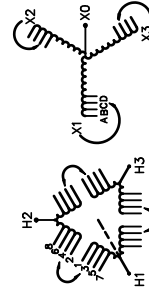
LISTED  **LR 3902**
 DRY TYPE DISTRIBUTION TRANSFORMER
 ALSO LISTED TO ENERGY STANDARDS CANADA C229-18
 BY UNDERWRITERS LABORATORIES INC. @ 3148

8 03423 112812 8
 BY UNDERWRITERS LABORATORIES INC. @ 3148

SPACINGS BETWEEN ANY VENTILATED ENCLOSURE PANEL AND ANY ADJACENT WALL SHALL BE A MINIMUM OF 12 INCHES
 RATIO ERROR +/- 1.0 % ON NOMINAL TAP (480V)

SEISMIC QUALIFICATIONS:
 AS FLOOR MOUNT ONLY
 IBC 2018/ASCE 7-16
 SDS<=2.0g Z/h=0 Ip=1.5

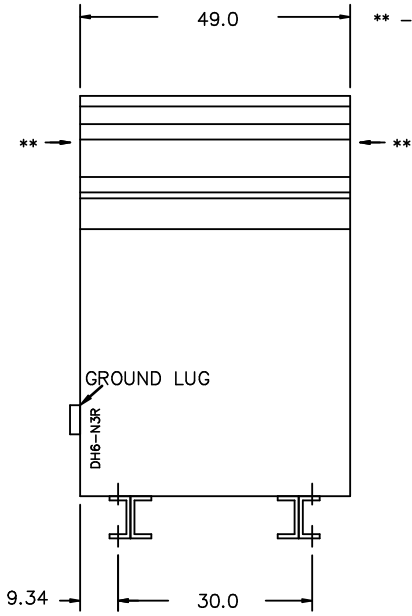
VOLTS	CURRENT COURANT	% RATED % TENSION NOMINALE	CONNECTION EACH PHASE CONNECTION PAR PHASE
504	57.3	105	1-2
480	58.7	102.5	2-3
468	60.1	100	3-4
456	61.7	97.5	4-5
444	63.3	95	5-6
432	65.0	92.5	6-7
420	66.8	90	7-8
SECONDARY			
430	671.3		A
416	693.9		B
400	721.7		C
380	759.7		D



Cust. Ref.	Serial No.	
Ref. du Client	No. de Serie	
Phase	HV/HT	480V 601 A
Type	BIL	10 kV
Cooling	Term	H1 H2 H3
Refrédissement	Bornes	
kVA	LV/BT	400Y/231V 721.7 A
Temp. Rise	BIL	10 kV
Echauffement	Term	X0 X1 X2 X3
Classe Temp	Bornes	
Winding	CU	DOE 10 CFR PART 431:2016
Enroulement	Energy	
Frequency	Regulations	CEE ACT SOR/2018-201
Fréquence Hz	de	
Impedance %	Energétique	
@ 170 °C		
Encl. Type		
Type de Coffrage		
Weight lbs/kg		3800/1724
Poids		

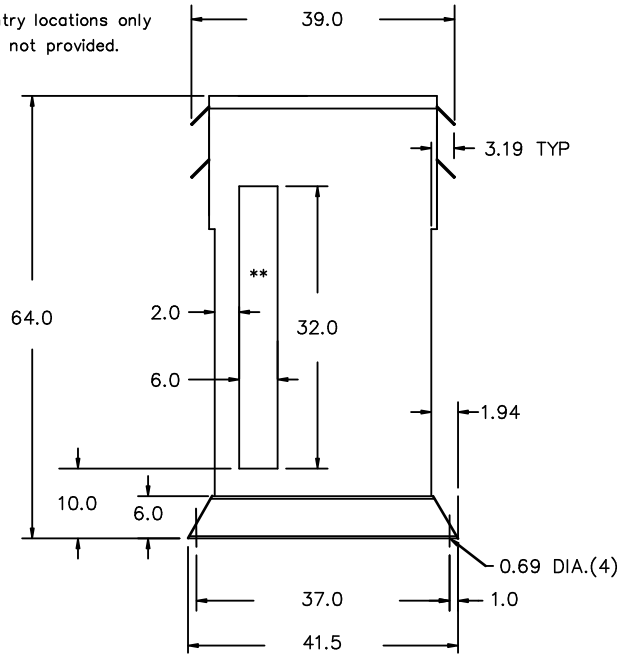
d000186hb

FRONT VIEW



** - Recommended cable entry locations only cutouts & gland plates not provided.

SIDE VIEW



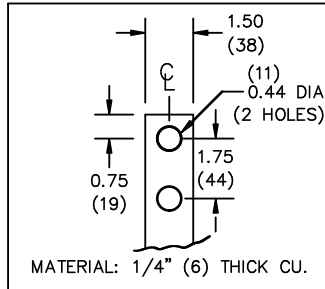
All Dimensions in inches

ENCLOSURE COLOR : ANSI 61 GREY - OUTDOOR

HV TERMINAL DETAIL



LV TERMINAL DETAIL



CUSTOMER NOTES:

- HV TERMINATED AT TOP FRONT
- LV TERMINATED AT BOTTOM FRONT
- XO TERMINATION AT TOP FRONT.



TITLE: 3PH DISTRIBUTION TRANSFORMER

2	21/07/16	PP	EDB UPDATE	DES: RMOVVA
1	20/03/17	PP	SEISMIC UPDATE	DATE: 19/04/04
NO.	DATE	BY	REVISION	SCALE: NTS

SHEET 2 OF 3

EDBSC3A0500K100C

2.1 htpd 2026/06/12 20:26

THIS DRAWING CONTAINS STRICTLY CONFIDENTIAL INFORMATION BELONGING TO HAMMOND POWER SOLUTIONS AND MUST NOT BE DISTRIBUTED OUTSIDE AUTHORIZED PARTIES.

ENCLOSURE BOTTOM VIEW



NOTE:
 WHEN BOTTOM CABLE ENTRY IS OPTED, THE SPACE USED FOR CONDUITS IN THE FRONT OF THE TRANSFORMER SHOULD NOT OBSTRUCT MORE THAN 50% OF THE FRONT AIR INTAKE AREA DEFINED BETWEEN THE BOTTOM PLATE AND THE SUPPORTING LEGS.
 SEE MANUAL FOR ADDITIONAL INFORMATION



TITLE: 3PH DISTRIBUTION TRANSFORMER
 ENCLOSURE BOTTOM VIEW

2	21/07/16	PP	EDB UPDATE	DES: RMOVVA
1	20/03/17	PP	SEISMIC UPDATE	DATE: 19/04/04
NO.	DATE	BY	REVISION	SCALE: NTS

SHEET 3 OF 3

EDBSC3A0500K10C