




TITLE: 3PH DISTRIBUTION TRANSFORMER
NAMEPLATE INFORMATION

NO.	DATE	BY	REVISION	SCALE: NTS
4	21/07/16	PP	EDB UPDATE	DES: PPICASSI
3	20/03/17	PP	SEISMIC UPDATE	DATE: 16/02/17

SHEET 1 OF 3

EDBSC3A0500KY

4.2 httpd 2026/04/03 09:44




POWER SOLUTIONS
Guelph, ONT
Hyderabad, IN Compton, CA

HPS Sentinel™ G
Energy Efficient Distribution Transformer
Transformateur de Distribution à Bon Rendement Énergétique

Baraboo, WI
Monterrey, MX


Part No. **SG3A0500KY**

LISTED



LR 3902
UL 7715 E112313
DRY TYPE TRANSFORMER
ALSO REFER TO IEC 60074-1
BY UNDERWRITERS LABORATORIES INC. 0198

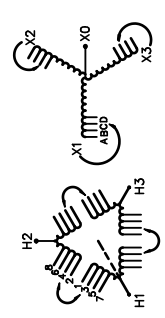
034231728012



SPACINGS BETWEEN ANY VENTILATED ENCLOSURE PANEL AND ANY ADJACENT WALL SHALL BE A MINIMUM OF 12 INCHES
RATIO ERROR +/- 1.0% MAX AT NOMINAL HV TAP (480V)
ONLY ONE LV TAP IN USE AT A TIME

Cust. Ref. Ref. du Client		Serial No. No. de Serie	
Phase	3	HV/HT	480V
Type	K	BIL	10 kV
Cooling Refrondissement	ANN	Term Bornes	H1 H2 H3
kVA	500	LV/BT	400Y /231V 671A
Temp. Rise Échauffement	150 °C	BIL	10 kV
Temp Class Classe Temp	220 °C	Term Bornes	X0 X1 X2 X3
Winding Enroulement	AL	Energy Regulations de Énergétique	DOE 10 CFR PART 431:2016
Frequency Hz	60	CEE ACT SOR/2018-201	
Impedance % @ 170 °C	5.3		
Encl. Type Type de Coffrage	3R		
Weight Poids	4170/1892		

VOLTS	CURRENT COURANT	% RATED VOLTAGE TENSION NOMINALE	CONNECTION EACH PHASE CONNECTION PAR PHASE
504	57.3	105	1-2
492	58.7	102.5	2-3
480	60.1	100	3-4
468	61.7	97.5	4-5
456	63.3	95	5-6
444	65.0	92.5	6-7
432	66.8	90	7-8
SECONDARY			A
430	671.3		B
416	693.9		C
400	721.7		D
380	759.7		

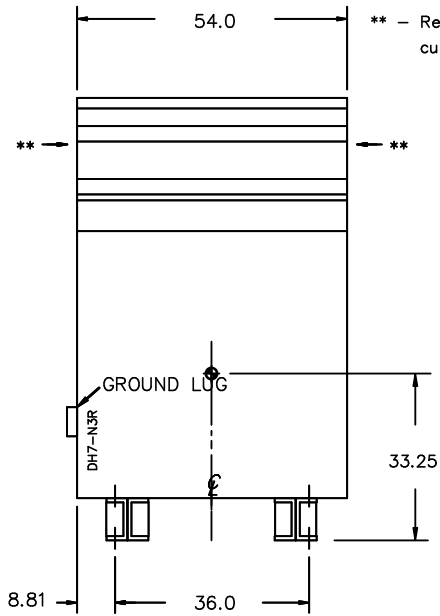


H2 X2
H1 X1
H3 X3
A B C D

SEISMIC QUALIFICATIONS:
AS FLOOR MOUNT ONLY
IBC 2018/ASCE 7-16
SDS<=2.0g Z/h=0 Ip=1.5

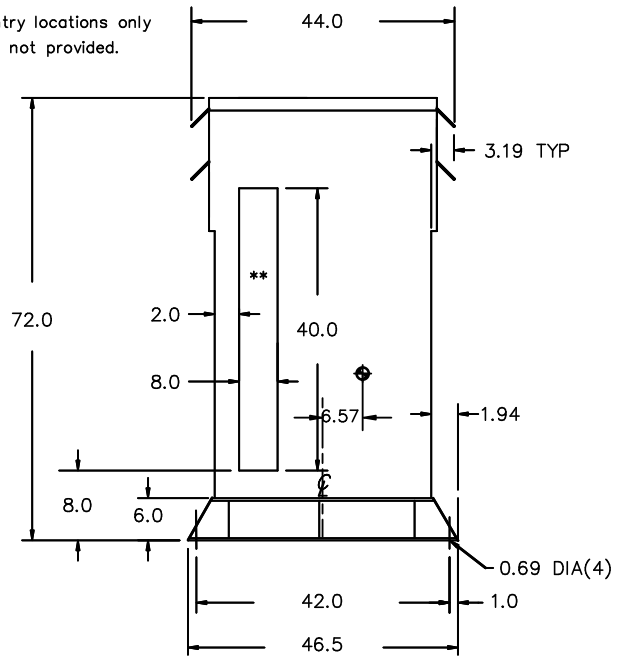
d000186hb

FRONT VIEW



** - Recommended cable entry locations only cutouts & gland plates not provided.

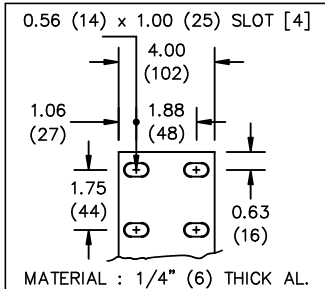
SIDE VIEW



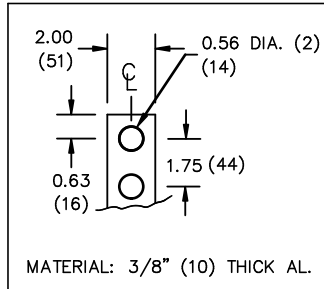
All Dimensions in inches

ENCLOSURE COLOR : ANSI 61 GREY - OUTDOOR

HV TERMINAL DETAIL



LV TERMINAL DETAIL



CUSTOMER NOTES:

- HV TERMINATED AT TOP FRONT
- LV TERMINATED AT BOTTOM FRONT



TITLE: 3PH DISTRIBUTION TRANSFORMER

4	21/07/16	PP	EDB UPDATE	DES: PPLICASSI
3	20/03/17	PP	SEISMIC UPDATE	DATE: 16/02/17
NO.	DATE	BY	REVISION	SCALE: NTS

SHEET 2 OF 3

EDBSC3A0500KY

ENCLOSURE BOTTOM VIEW



NOTE:
 WHEN BOTTOM CABLE ENTRY IS OPTED, THE SPACE USED FOR CONDUITS IN THE FRONT OF THE TRANSFORMER SHOULD NOT OBSTRUCT MORE THAN 50% OF THE FRONT AIR INTAKE AREA DEFINED BETWEEN THE BOTTOM PLATE AND THE SUPPORTING LEGS.
 SEE MANUAL FOR ADDITIONAL INFORMATION



TITLE: 3PH DISTRIBUTION TRANSFORMER
 ENCLOSURE BOTTOM VIEW

4	21/07/16	PP	EDB UPDATE	DES: PPLICASSI
3	20/03/17	PP	SEISMIC UPDATE	DATE: 16/02/17
NO.	DATE	BY	REVISION	SCALE: NTS

SHEET 3 OF 3

EDBSC3A0500KY