




TITLE: 3PH DISTRIBUTION TRANSFORMER  
NAMEPLATE INFORMATION

NO.	DATE	BY	REVISION
2	21/07/16	PP	EDB UPDATE
1	20/03/17	PP	SEISMIC UPDATE
			DES: RMOVVA
			DATE: 17/06/20
			SCALE: NTS

SHEET 1 OF 3

EDBSC3A0500KKOC

2.1 httpd 2026/04/04 01:53




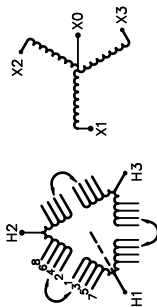
**POWER SOLUTIONS**  
Guelph, ONT  
Hyderabad, IN Compton, CA

**HPS Sentinel™ G**  
Energy Efficient Distribution Transformer  
Transformateur de Distribution à Bon Rendement Énergétique

Baraboo, WI  
Monterrey, MX

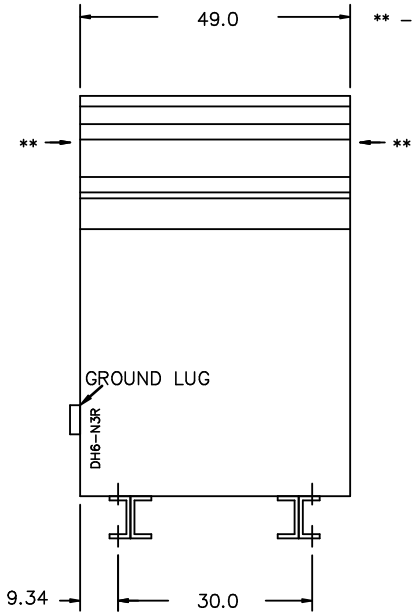
Part No. **SG3A0500KKOC**

**LISTED**  **LR 3902**  
 DRY TYPE TRANSFORMER 8003423112820  
 ALSO LISTED TO ENERGY STANDARD C900-18  
 BY UNDERWRITERS LABORATORIES INC. @ 016

Cust. Ref. Ref. du Client	Serial No. No. de Serie	VOLTS	CURRENT COURANT	% RATED VOLTAGE TENSION NOMINALE	CONNECTION EACH PHASE CONNECTION PAR PHASE
3	HV/HT	504	573	105	1-2
K	BIL	492	587	102.5	2-3
ANN	Term Bornes	480	601	100	3-4
500	LV/BT	468	617	97.5	4-5
150 °C	BIL	456	633	95	5-6
220 °C	Term Bornes	444	650	92.5	6-7
CU	Energy Regulations	432	668	90	7-8
60	Reglements de Énergétique				
6.7	Impedance % @ 170 °C				
3R	Encl. Type Type de Coffrage	<p>SPACINGS BETWEEN ANY VENTILATED ENCLOSURE PANEL AND ANY ADJACENT WALL SHALL BE A MINIMUM OF 12 INCHES</p>			
3100	Weight Poids	<p>SEISMIC QUALIFICATIONS: AS FLOOR MOUNT ONLY IBC 2018/ASCE 7-16 SDS&lt;=2.0g Z/h=0 Ip=1.5</p>			

d000186hb

FRONT VIEW



\*\* - Recommended cable entry locations only  
cutouts & gland plates not provided.

SIDE VIEW



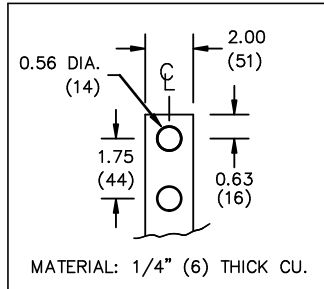
All Dimensions in inches

ENCLOSURE COLOR : ANSI 61 GREY - OUTDOOR

HV TERMINAL DETAIL



LV TERMINAL DETAIL



CUSTOMER NOTES:

- HV TERMINATED AT TOP FRONT
- LV TERMINATED AT BOTTOM FRONT



TITLE: 3PH DISTRIBUTION TRANSFORMER

2	21/07/16	PP	EDB UPDATE	DES: RMOVVA
1	20/03/17	PP	SEISMIC UPDATE	DATE: 17/06/20
NO.	DATE	BY	REVISION	SCALE: NTS

SHEET 2 OF 3

EDBSC3A0500K0C

ENCLOSURE BOTTOM VIEW



NOTE:  
 WHEN BOTTOM CABLE ENTRY IS OPTED, THE SPACE USED FOR CONDUITS IN THE FRONT OF THE TRANSFORMER SHOULD NOT OBSTRUCT MORE THAN 50% OF THE FRONT AIR INTAKE AREA DEFINED BETWEEN THE BOTTOM PLATE AND THE SUPPORTING LEGS.  
 SEE MANUAL FOR ADDITIONAL INFORMATION



TITLE: 3PH DISTRIBUTION TRANSFORMER  
 ENCLOSURE BOTTOM VIEW

2	21/07/16	PP	EDB UPDATE	DES: RMOVVA
1	20/03/17	PP	SEISMIC UPDATE	DATE: 17/06/20
NO.	DATE	BY	REVISION	SCALE: NTS

SHEET 3 OF 3

EDBSC3A0500K0C