



TITLE: 3PH DISTRIBUTION TRANSFORMER.  
NAMEPLATE INFORMATION


NO.	DATE	BY	REVISION	DES:	ASETH
5	26/03/11	DC	ADDED LV/HV AMPS	DATE:	16/02/18
4	21/07/16	PP	EDB UPDATE	SCALE:	NTS

SHEET 1 OF 3

EDBSG3A0500DK

5.0 httpd 2026/04/02 19:44

THIS DRAWING CONTAINS STRICTLY CONFIDENTIAL INFORMATION BELONGING TO HAMMOND POWER SOLUTIONS AND MUST NOT BE DISTRIBUTED OUTSIDE AUTHORIZED PARTIES.



**POWER SOLUTIONS**  
Guelph, ONT  
Hyderabad, IN Compton, CA

**HPS Sentinel™ G**  
Energy Efficient Distribution Transformer  
Transformateur de Distribution à Bon Rendement Énergétique

Baraboo, WI  
Monterrey, MX

Part No. **SG3A0500DK**

LR 3902  
UL LISTED  
UL E112313  
UL E112313

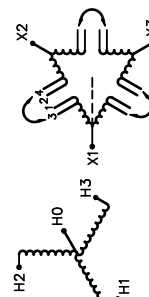
DRY TYPE DISTRIBUTOR  
77US  
E112313

8 03423 12768 8  
ALSO REFER TO ENERGY EFFICIENT STANDARDS CRO215-18  
BY UNDERWRITERS LABORATORIES INC. 0316

VOLTS	CURRENT COURANT	% RATED VOLTAGE % TENSION NOMINALE	CONNECTION EACH PHASE CONNECTION PAR PHASE
252	1146	105	1-2
246	1203	100	2-3
228	1266	95	3-4

SPACINGS BETWEEN ANY VENTILATED ENCLOSURE PANEL AND ANY ADJACENT WALL SHALL BE A MINIMUM OF 12 INCHES

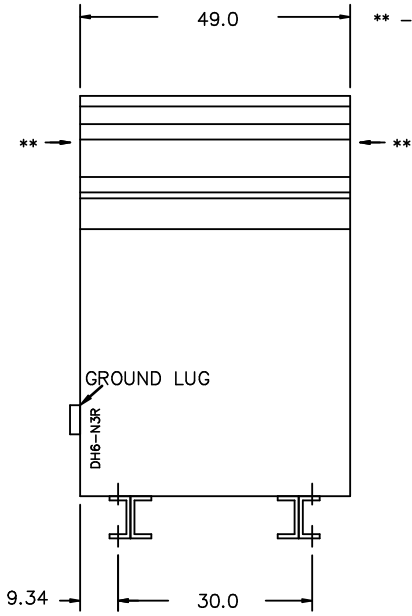
TRANSFORMER SUITABLE FOR STEP UP OPERATION ONLY



SEISMIC QUALIFICATIONS:  
AS FLOOR MOUNT ONLY  
IBC 2018/ASCE 7-16  
SDS<=2.0g Z/h=0 Ip=1.5

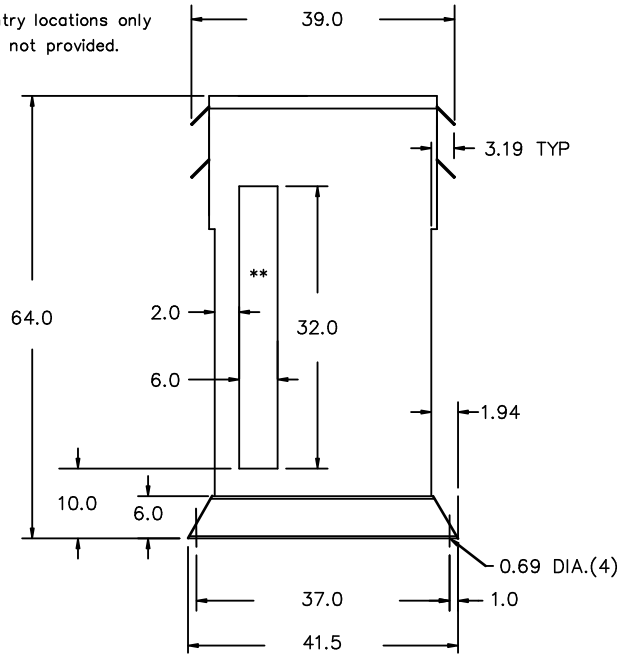
0000186hb

FRONT VIEW



\*\* - Recommended cable entry locations only cutouts & gland plates not provided.

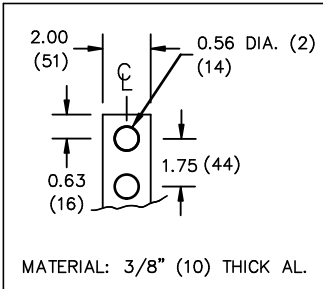
SIDE VIEW



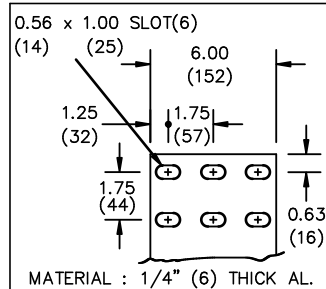
All Dimensions in inches

ENCLOSURE COLOR : ANSI 61 GREY - OUTDOOR

HV TERMINAL DETAIL



LV TERMINAL DETAIL



CUSTOMER NOTES:

- HV TERMINATED AT BOTTOM FRONT
- LV TERMINATED AT TOP FRONT



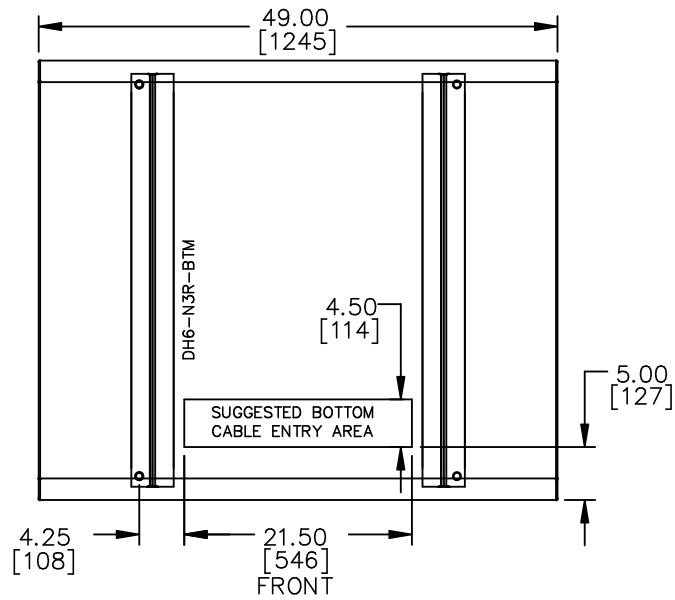
TITLE: 3PH DISTRIBUTION TRANSFORMER.

5	26/03/11	DC	ADDED LV/HV AMPS	DES: ASETH
4	21/07/16	PP	EDB UPDATE	DATE: 16/02/18
NO.	DATE	BY	REVISION	SCALE: NTS

SHEET 2 OF 3

EDBSC3A0500DK

ENCLOSURE BOTTOM VIEW



NOTE:  
 WHEN BOTTOM CABLE ENTRY IS OPTED, THE SPACE USED FOR CONDUITS IN THE FRONT OF THE TRANSFORMER SHOULD NOT OBSTRUCT MORE THAN 50% OF THE FRONT AIR INTAKE AREA DEFINED BETWEEN THE BOTTOM PLATE AND THE SUPPORTING LEGS.  
 SEE MANUAL FOR ADDITIONAL INFORMATION



TITLE: 3PH DISTRIBUTION TRANSFORMER.  
 ENCLOSURE BOTTOM VIEW

5	26/03/11	DC	ADDED LV/HV AMPS	DES: ASETH
4	21/07/16	PP	EDB UPDATE	DATE: 16/02/18
NO.	DATE	BY	REVISION	SCALE: NTS

SHEET 3 OF 3

EDBSC3A0500DK