



TITLE: 3PH DISTRIBUTION TRANSFORMER
NAMEPLATE INFORMATION


3	21/11/25	CS	NPL IMPEDANCE AND WEIGHT UPDATE	DES: DCORTEZ
2	21/07/16	PP	EDB UPDATE	DATE: 19/04/01
NO.	DATE	BY	REVISION	SCALE: NTS

SHEET 1 OF 3

EDB SG3A0300KYOC

3.0 httpd 2026/06/08 21:00

THIS DRAWING CONTAINS STRICTLY CONFIDENTIAL INFORMATION BELONGING TO HAMMOND POWER SOLUTIONS AND MUST NOT BE DISTRIBUTED OUTSIDE AUTHORIZED PARTIES.




POWER SOLUTIONS
Guelph, ONT
Hyderabad, IN Compton, CA

HPS Sentinel™ G
Energy Efficient Distribution Transformer
Transformateur de Distribution à Bon Rendement Énergétique

Baraboo, WI
Monterrey, MX

Part No. **SG3A0300KYOC**

LR 3902
DRY TYPE TRANSFORMER
77US
E112313



LISTED

8 03423112811
ALSO REFER TO THE FOLLOWING STANDARDS:
UL 1568 AND IEC 60091-18
BY UNDERWRITERS LABORATORIES INC. @ 316

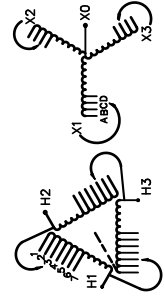
VOLTS	CURRENT COURANT	% RATED VOLTAGE TENSION NOMINALE	CONNECTION EACH PHASE CONNECTION PAR PHASE
504	344	105	1
492	352	102.5	2
480	361	100	3
468	370	97.5	4
456	380	95	5
444	390	92.5	6
432	401	90	7
SECONDARY			
430	402		A
416	416		B
400	433		C
380	455		D

Cust. Ref.	Serial No.	
Ref. du Client	No. de Serie	
Phase	HV/HT	480V 361A
Type	BIL	10 kV
Cooling Refroidissement	Term Bornes	H1 H2 H3
kVA	LV/BT	400Y/231V 433A
Temp. Rise Échauffement	BIL	10 kV
Temp Class Classe Temp	Term Bornes	X0 X1 X2 X3
Winding Enroulement	CU	DOE 10 CFR PART 431:2016
Frequency Fréquence Hz	Reglements de Énergétique	CEE ACT SOR/2018-201
Impedance % @ 170°C		
Encl. Type Type de Coffrage		
Weight Poids	lbs	2000

SPACINGS BETWEEN ANY VENTILATED ENCLOSURE PANEL AND ANY ADJACENT WALL SHALL BE A MINIMUM OF 5 INCHES

RATOR ERROR +/- 1.7% MAXIMUM AT SOME SECONDARY TAPS ONLY ONE LV TAP IN USE AT A TIME

FOR DESIRED SECONDARY TAP VOLTAGE-LOCATE PROVIDED TERMINATION PADS



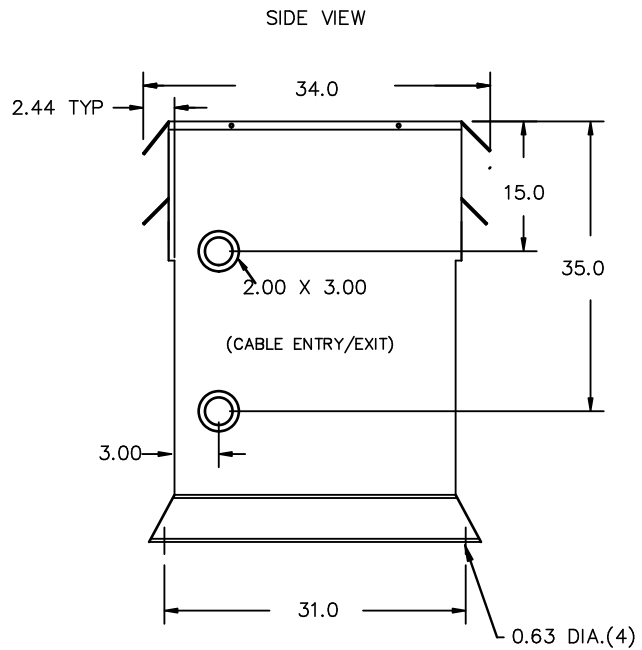
SEISMIC QUALIFICATIONS:
AS FLOOR MOUNT ONLY
IBC 2018/ASCE 7-16
SDS<=2.0g Z/h=0 Ip=1.5

d000186hb

THIS DRAWING CONTAINS STRICTLY CONFIDENTIAL INFORMATION BELONGING TO HAMMOND POWER SOLUTIONS AND MUST NOT BE DISTRIBUTED OUTSIDE AUTHORIZED PARTIES.

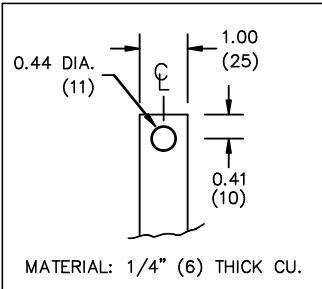


All Dimensions in inches

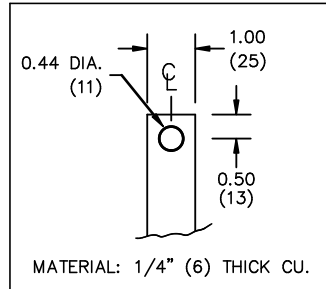


ENCLOSURE COLOR :ANSI 61 GREY – OUTDOOR

HV TERMINAL DETAIL



LV TERMINAL DETAIL



CUSTOMER NOTES:

- HV TERMINATED AT TOP FRONT
- LV TERMINATED AT BOTTOM FRONT
- X0 TOP FRONT, TAPS A,B,C,D (X1 X2 X3) BOTTOM FRONT



TITLE: 3PH DISTRIBUTION TRANSFORMER

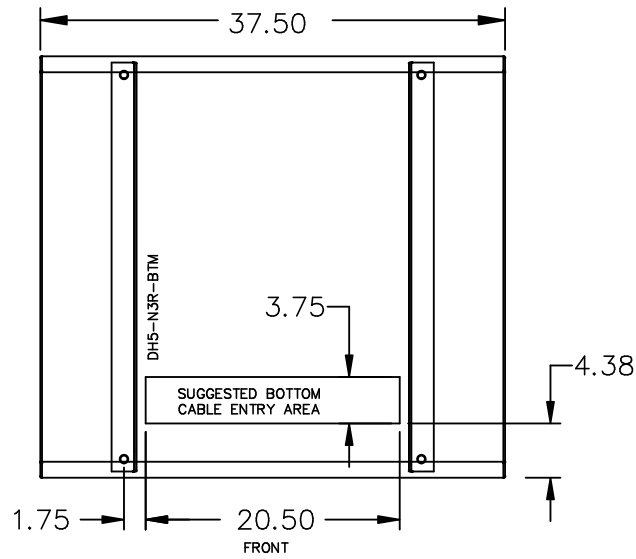
3	21/11/25	CS	NPL IMPEDANCE AND WEIGHT UPDATE	DES: DCORTEZ
2	21/07/16	PP	EDB UPDATE	DATE: 19/04/01
NO.	DATE	BY	REVISION	SCALE: NTS

SHEET 2 OF 3

EDBSC3A0300K100C

3.0 httpd 2026/06/08 21:00

ENCLOSURE BOTTOM VIEW



NOTE:
 WHEN BOTTOM CABLE ENTRY IS OPTED, THE SPACE USED FOR CONDUITS IN THE FRONT OF THE TRANSFORMER SHOULD NOT OBSTRUCT MORE THAN 50% OF THE FRONT AIR INTAKE AREA DEFINED BETWEEN THE BOTTOM PLATE AND THE SUPPORTING LEGS.
 SEE MANUAL FOR ADDITIONAL INFORMATION



TITLE: 3PH DISTRIBUTION TRANSFORMER
 ENCLOSURE BOTTOM VIEW

3	21/11/25	CS	NPL IMPEDANCE AND WEIGHT UPDATE	DES: DCORTEZ
2	21/07/16	PP	EDB UPDATE	DATE: 19/04/01
NO.	DATE	BY	REVISION	SCALE: NTS

SHEET 3 OF 3

EDBSC3A0300K100