



TITLE: 3PH DISTRIBUTION TRANSFORMER
NAMEPLATE INFORMATION


| | | | |
|-----|----------|----|---|
| NO. | DATE | BY | REVISION |
| 2 | 21/07/16 | PP | EDB UPDATE |
| 1 | 20/03/17 | PP | SEISMIC UPDATE |
| | | | DES: GPATEL DATE: 17/07/25 SCALE: NTS |

SHEET 1 OF 3

EDBSC3A0300DB

2.0 httpd 2026/06/24 23:51

THIS DRAWING CONTAINS STRICTLY CONFIDENTIAL INFORMATION BELONGING TO HAMMOND POWER SOLUTIONS AND MUST NOT BE DISTRIBUTED OUTSIDE AUTHORIZED PARTIES.




POWER SOLUTIONS
Guelph, ONT
Hyderabad, IN Compton, CA

HPS Sentinel™ G
Energy Efficient Distribution Transformer
Transformateur de Distribution à Bon Rendement Énergétique

Baraboo, WI
Monterrey, MX


Part No. **SG3A0300DB**

LR 3902
DRY TYPE
TRANSFORMER
77US
E112313



LISTED

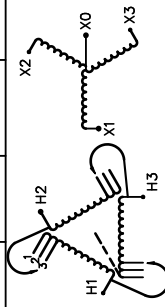
ALSO REFER TO THE LISTING FOR THE LOCATION OF THE ENERGY LABEL AND APPROVED BY UNDERWRITERS LABORATORIES INC. 0148



8 03423 172751 0

SPACINGS BETWEEN ANY VENTILATED ENCLOSURE PANEL AND ANY ADJACENT WALL SHALL BE A MINIMUM OF 5 INCHES EXCEPT WHEN WALL MOUNTED USING APPROVED WALL MOUNTING KIT

| VOLTS | CURRENT COURANT | % RATED VOLTAGE % TENSION NOMINALE | CONNECTION EACH PHASE CONNECTION PAR PHASE |
|-------|--------------------|---|---|
| 252 | 687 | 105 | 1 |
| 246 | 722 | 100 | 2 |
| 228 | 760 | 95 | 3 |



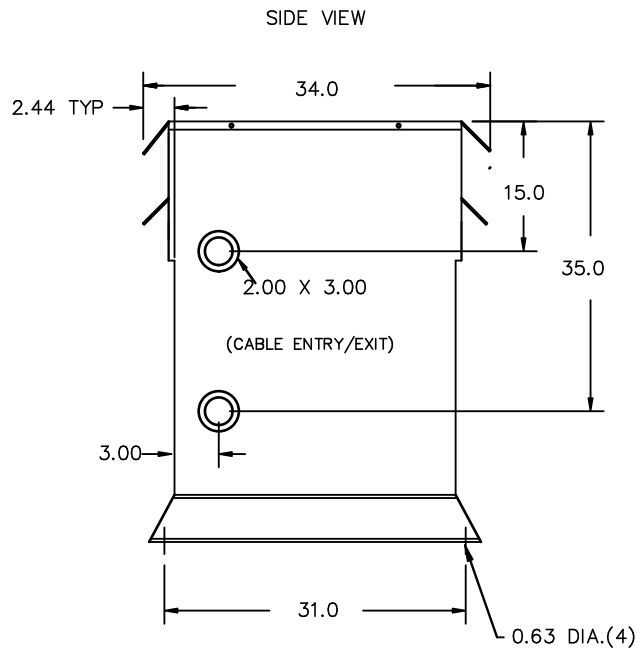
SEISMIC QUALIFICATIONS:
AS FLOOR MOUNT ONLY
IBC 2018/ASCE 7-16
SDS<=2.0g Z/h=0 Ip=1.5

| | | |
|--------------------------------|---------------------------------|--------------------------|
| Cust. Ref. | Serial No. | |
| Ref. du Client | No. de Serie | |
| Phase | HV/HT | 240V 722A |
| Type | BIL | 10 kV |
| Cooling Refrondissement | Term Bornes | H1 H2 H3 |
| kVA | LV/BT | 208Y/120V 833A |
| Temp. Rise Echauffement | BIL | 10 kV |
| Temp Class Classe Temp | Term Bornes | X0 X1 X2 X3 |
| Winding Enroulement | Energy Regulations | DOE 10 CFR PART 431:2016 |
| Frequency Hz | Reglements de Énergétique | CEE ACT SOR/2018-201 |
| Impedance % @ 170°C | | |
| Encl. Type Type de Coffrage | | |
| Weight Poids | lbs | 1950 |

d000186hb

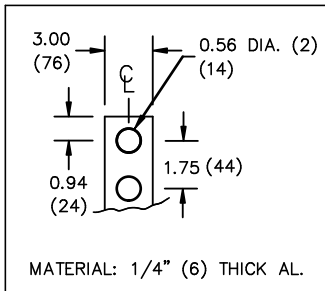


All Dimensions in inches

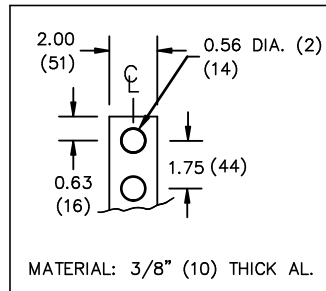


ENCLOSURE COLOR :ANSI 61 GREY – OUTDOOR

HV TERMINAL DETAIL



LV TERMINAL DETAIL



CUSTOMER NOTES:

- HV TERMINATED AT TOP FRONT
- LV TERMINATED AT BOTTOM FRONT



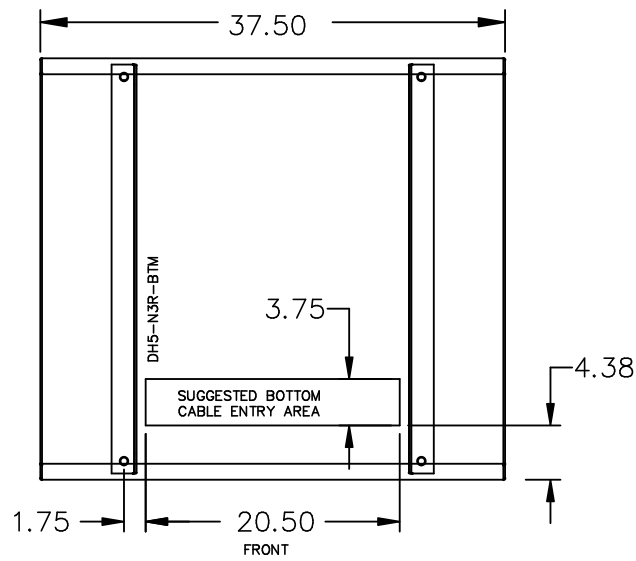
TITLE: 3PH DISTRIBUTION TRANSFORMER

| | | | | |
|-----|----------|----|----------------|----------------|
| 2 | 21/07/16 | PP | EDB UPDATE | DES: GPATEL |
| 1 | 20/03/17 | PP | SEISMIC UPDATE | DATE: 17/07/25 |
| NO. | DATE | BY | REVISION | SCALE: NTS |

SHEET 2 OF 3

EDBSC3A0300DB

ENCLOSURE BOTTOM VIEW



NOTE:
 WHEN BOTTOM CABLE ENTRY IS OPTED, THE SPACE USED FOR CONDUITS IN THE FRONT OF THE TRANSFORMER SHOULD NOT OBSTRUCT MORE THAN 50% OF THE FRONT AIR INTAKE AREA DEFINED BETWEEN THE BOTTOM PLATE AND THE SUPPORTING LEGS.
 SEE MANUAL FOR ADDITIONAL INFORMATION



TITLE: 3PH DISTRIBUTION TRANSFORMER
 ENCLOSURE BOTTOM VIEW

| | | | | |
|-----|----------|----|----------------|----------------|
| 2 | 21/07/16 | PP | EDB UPDATE | DES: GPATEL |
| 1 | 20/03/17 | PP | SEISMIC UPDATE | DATE: 17/07/25 |
| NO. | DATE | BY | REVISION | SCALE: NTS |

SHEET 3 OF 3

EDBSC3A0300DB