



TITLE: 3PH DISTRIBUTION TRANSFORMER
NAMEPLATE INFORMATION


NO.	DATE	BY	REVISION
3	21/07/16	PP	EDB UPDATE
2	20/03/17	PP	SEISMIC UPDATE
			DES: RMOVVA
			DATE: 16/02/08
			SCALE: NTS

SHEET 1 OF 3

EDB SG3A0300BKOC

3.0 httpd 2026/06/25 03:29

THIS DRAWING CONTAINS STRICTLY CONFIDENTIAL INFORMATION BELONGING TO HAMMOND POWER SOLUTIONS AND MUST NOT BE DISTRIBUTED OUTSIDE AUTHORIZED PARTIES.



POWER SOLUTIONS
Guelph, ONT Compton, CA Hyderabad, IN

HPS Sentinel™ G
Energy Efficient Distribution Transformer
Transformateur de Distribution à Bon Rendement Énergétique

Baraboo, WI Monterrey, MX
Part No. SG3A0300BKOC

Serial No. []
No. de Serie []

Phase 3 HV/HT

Type K BIL

Cooling Refroidissement ANN Term Bornes

kVA 300 LV/BT

Temp. Rise Echauffement 150 °C BIL

Temp Class Classe Temp 220 °C Term Bornes

Winding Enroulement CU Energy Regulations

Frequency Fréquence Hz 60 Reglements de Énergétique

Impedance % @ 170 °C 5.5

Encl. Type Type de Coffrage 3R

Weight Poids lbs 1900

480Y/277V 361A

10 kV

H0 H1 H2 H3

208V 833A

10 kV

X1 X2 X3

DOE 10 CFR PART 431:2016

CEE ACT SOR/2018-201

LISTED

UL E112313

DRY TYPE DISTRIBUTOR 77US E112313

8 03423172745


ALSO REFER TO ENERGY STANDARDS CSD-18 BY UNDERWRITERS LABORATORIES INC. 0148

VOLTS	CURRENT COURANT	% RATED VOLTAGE % TENSION NOMINALE	CONNECTION EACH PHASE CONNECTION PAR PHASE
218	793	105	1
208	833	100	2
198	877	95	3

SPACINGS BETWEEN ANY VENTILATED ENCLOSURE PANEL AND ANY ADJACENT WALL SHALL BE A MINIMUM OF 5 INCHES EXCEPT WHEN WALL MOUNTED USING APPROVED WALL MOUNTING KIT

TRANSFORMER SUITABLE FOR STEP UP OPERATION ONLY

SEISMIC QUALIFICATIONS:
AS FLOOR MOUNT ONLY
IBC 2018/ASCE 7-16
SDS<=2.0g Z/h=0 Ip=1.5

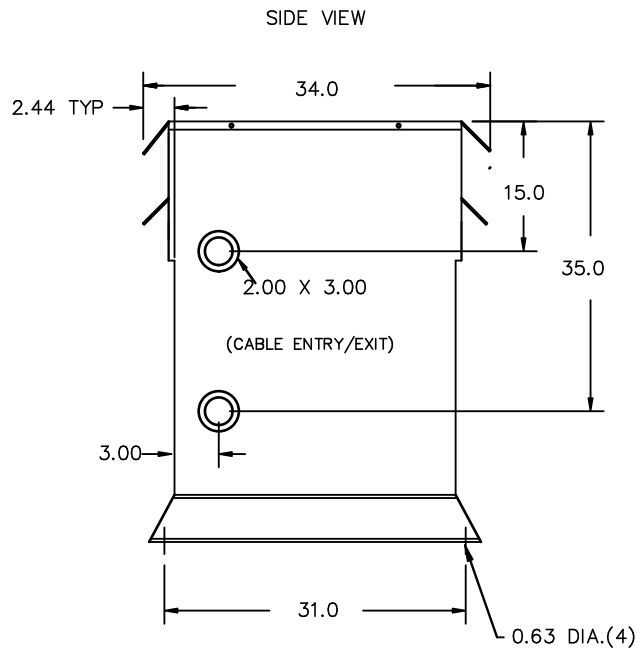


d000186hb

THIS DRAWING CONTAINS STRICTLY CONFIDENTIAL INFORMATION BELONGING TO HAMMOND POWER SOLUTIONS AND MUST NOT BE DISTRIBUTED OUTSIDE AUTHORIZED PARTIES.

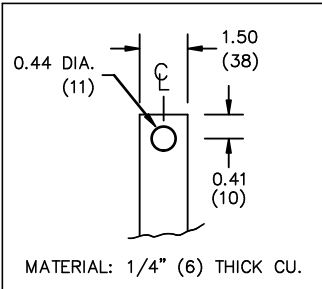


All Dimensions in inches

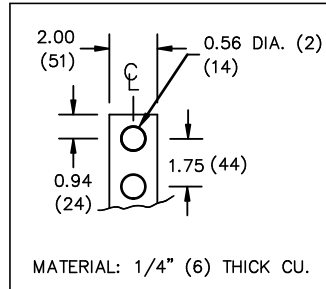


ENCLOSURE COLOR :ANSI 61 GREY – OUTDOOR

HV TERMINAL DETAIL



LV TERMINAL DETAIL



CUSTOMER NOTES:

- HV TERMINATED AT BOTTOM FRONT
- LV TERMINATED AT TOP FRONT



TITLE: 3PH DISTRIBUTION TRANSFORMER

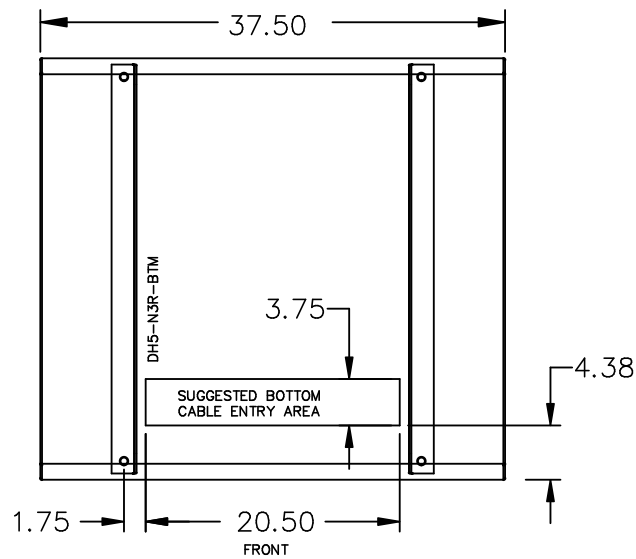
3	21/07/16	PP	EDB UPDATE	DES: RMOVVA
2	20/03/17	PP	SEISMIC UPDATE	DATE: 16/02/08
NO.	DATE	BY	REVISION	SCALE: NTS

SHEET 2 OF 3

EDBSC3A0300BK0C

3.0 httpd 2026/06/25 03:29

ENCLOSURE BOTTOM VIEW



NOTE:
 WHEN BOTTOM CABLE ENTRY IS OPTED, THE SPACE USED FOR CONDUITS IN THE FRONT OF THE TRANSFORMER SHOULD NOT OBSTRUCT MORE THAN 50% OF THE FRONT AIR INTAKE AREA DEFINED BETWEEN THE BOTTOM PLATE AND THE SUPPORTING LEGS.
 SEE MANUAL FOR ADDITIONAL INFORMATION



TITLE: 3PH DISTRIBUTION TRANSFORMER
 ENCLOSURE BOTTOM VIEW

3	21/07/16	PP	EDB UPDATE	DES: RMOVVA
2	20/03/17	PP	SEISMIC UPDATE	DATE: 16/02/08
NO.	DATE	BY	REVISION	SCALE: NTS

SHEET 3 OF 3

EDBSC3A0300BKOC