



TITLE: 3PH DISTRIBUTION TRANSFORMER
NAMEPLATE INFORMATION

NO.	DATE	BY	REVISION

DES:	MRAHEEM
DATE:	26/04/07
SCALE:	NTS

SHEET 1 OF 3

EDBSG3A0300BBOC

0.1 httpd 2026/06/03 11:52

THIS DRAWING CONTAINS STRICTLY CONFIDENTIAL INFORMATION BELONGING TO HAMMOND POWER SOLUTIONS AND MUST NOT BE DISTRIBUTED OUTSIDE AUTHORIZED PARTIES.

POWER SOLUTIONS
Guelph, ONT
Hyderabad, IN Compton, CA

HPS Sentinel™ G
Energy Efficient Distribution Transformer
Transformateur de Distribution à Bon Rendement Énergétique

Baraboo, WI
Monterrey, MX

Part No. **SG3A0300BBOC**

UL LR 3902
DRY TYPE
TRANSFORMER
77US
E112313

8 03423 17732 1g
ALSO REFER TO THE LISTING
TO ENERGY STANDARDS CODES
BY UNDERWRITERS LABORATORIES INC. 0148

LISTED

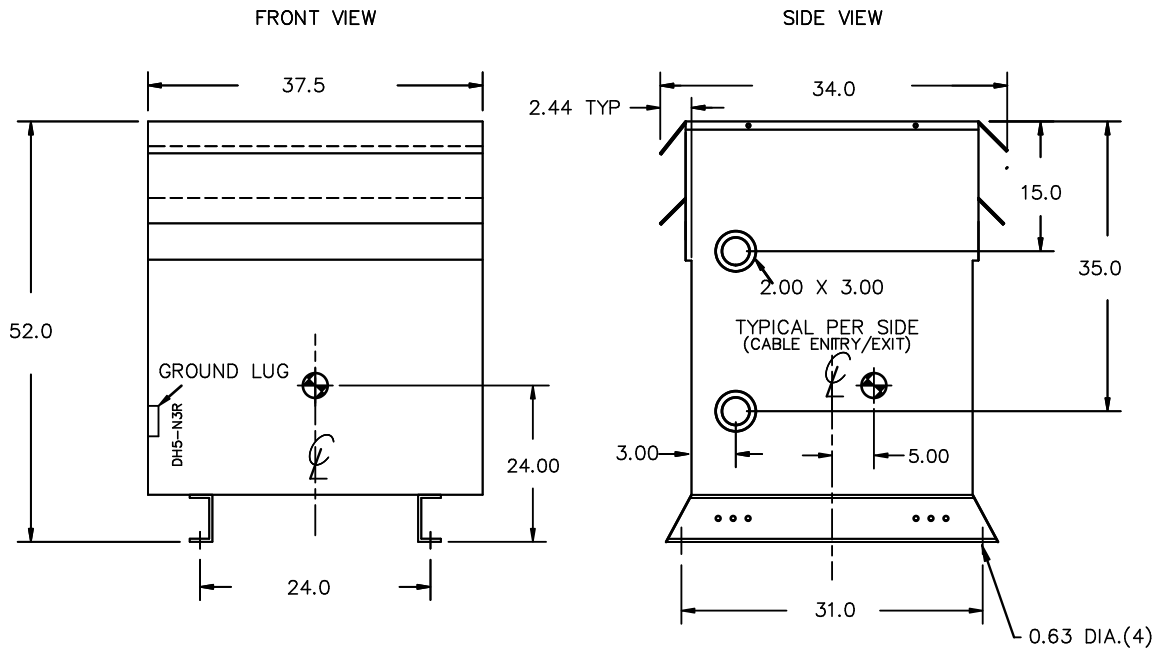
SPACINGS BETWEEN ANY VENTILATED ENCLOSURE PANEL AND ANY ADJACENT WALL SHALL BE A MINIMUM OF 5 INCHES

VOLTS	CURRENT COURANT	% RATED VOLTAGE TENSION NOMINALE	CONNECTION EACH PHASE CONNECTION PAR PHASE
218	793	105	1
208	833	100	2
198	877	95	3

SEISMIC QUALIFICATIONS:
AS FLOOR MOUNT ONLY
IBC 2018/ASCE 7-16
SDS<=2.0g Z/h=0 Ip=1.5

Cust. Ref. Ref. du Client	Serial No. No. de Serie	208V	833A
Phase	HV/HT	10 kV	
Type	BIL	H1 H2 H3	
Cooling Refroidissement	ANN	208Y/120V	833A
kVA	300	10 kV	
Temp. Rise Échauffement	150 °C	Term Bornes	X0 X1 X2 X3
Temp Class Classe Temp	220 °C	Energy Regulations	DOE 10 CFR PART 431:2016
Winding Enroulement	CU	Reglements de Énergétique	CEE ACT SOR/2018-201
Frequency Fréquence Hz	60		
Impedance % @ 170 °C	4.7		
Encl. Type Type de Coffrage	3R		
Weight lbs/kg Poids	1990/903		

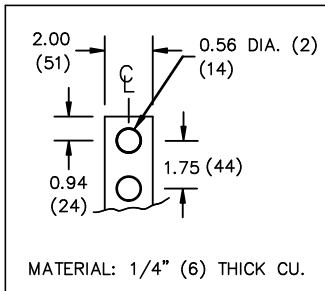
d000186hb



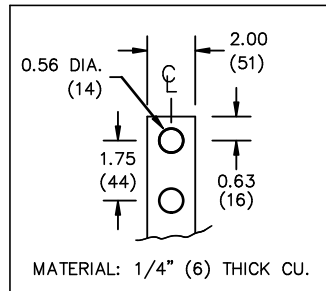
All Dimensions in inches

ENCLOSURE COLOR :ANSI 61 GREY – OUTDOOR

HV TERMINAL DETAIL



LV TERMINAL DETAIL



CUSTOMER NOTES:

- HV TERMINATED AT TOP FRONT
- LV TERMINATED AT BOTTOM FRONT



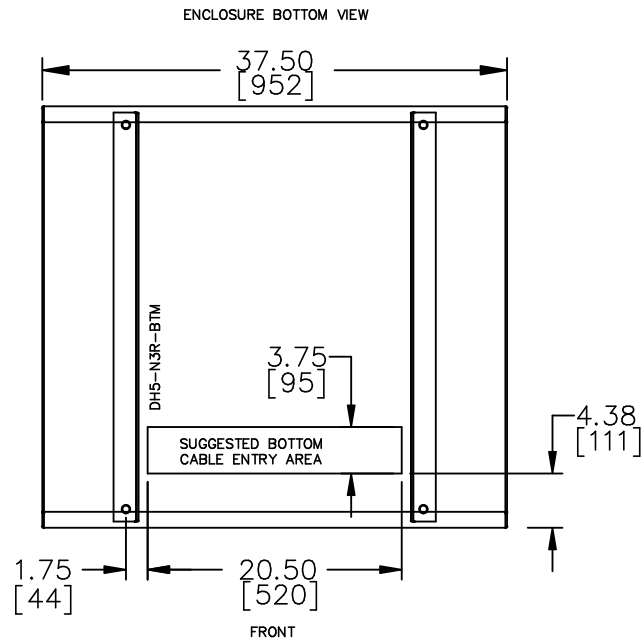
TITLE: 3PH DISTRIBUTION TRANSFORMER

DES:	MRAHEEM
DATE:	26/04/07
SCALE:	NTS

NO.	DATE	BY	REVISION

SHEET 2 OF 3

EDBSG3A0300BBOC



NOTE:
 WHEN BOTTOM CABLE ENTRY IS OPTED, THE SPACE USED FOR CONDUITS IN THE FRONT OF THE TRANSFORMER SHOULD NOT OBSTRUCT MORE THAN 50% OF THE FRONT AIR INTAKE AREA DEFINED BETWEEN THE BOTTOM PLATE AND THE SUPPORTING LEGS.
 SEE MANUAL FOR ADDITIONAL INFORMATION



TITLE: 3PH DISTRIBUTION TRANSFORMER
ENCLOSURE BOTTOM VIEW

				DES: MRAHEEM
				DATE: 26/04/07
NO.	DATE	BY	REVISION	SCALE: NTS

SHEET 3 OF 3

EDBSG3A0300BBOC