



TITLE: 3PH DISTRIBUTION TRANSFORMER  
NAMEPLATE INFORMATION

NO.	DATE	BY	REVISION
3	21/07/16	PP	EDB UPDATE
2	20/03/17	PP	SEISMIC UPDATE
			DES: JWEN
			DATE: 15/11/09
			SCALE: NTS

SHEET 1 OF 3

EDB SG3A0225PBOC

3.0 httpd 2026/05/19 23:36

**POWER SOLUTIONS**  
Guelph, ONT  
Hyderabad, IN Compton, CA

**HPS Sentinel™ G**  
Energy Efficient Distribution Transformer  
Transformateur de Distribution à Bon Rendement Énergétique

Baraboo, WI  
Monterrey, MX

Part No. **SG3A0225PBOC**

**UL** LISTED **LR 3902**  
DRY TYPE  
77US  
E112313

8 0342317258 3  
ALSO REFER TO THE FOLLOWING STANDARDS:  
UL 1568 AND IEC 60076-18  
BY UNDERWRITERS LABORATORIES INC. @ 3148

VOLTS	CURRENT COURANT	% RATED VOLTAGE % TENSION NOMINALE	CONNECTION EACH PHASE CONNECTION PAR PHASE
630	206	105	1
615	211	102.5	2
600	217	100	3
585	222	97.5	4
570	228	95	5
555	234	92.5	6
540	241	90	7

Serial No. \_\_\_\_\_  
No. de Serie \_\_\_\_\_

Phase **3** HV/HT \_\_\_\_\_

Type **K** BIL \_\_\_\_\_

Cooling **ANN** Term Bornes \_\_\_\_\_

Refroidissement \_\_\_\_\_

kVA **225** LV/BT \_\_\_\_\_

Temp. Rise **150 °C** BIL \_\_\_\_\_

Echauffement \_\_\_\_\_

Temp Class **220 °C** Term Bornes \_\_\_\_\_

Classe Temp \_\_\_\_\_

Winding **CU** Energy Regulations \_\_\_\_\_

Enroulement \_\_\_\_\_

Frequency **60** Reglements \_\_\_\_\_

Fréquence Hz \_\_\_\_\_

Impedance % **4.1** d'Énergétique \_\_\_\_\_

@ 170 °C \_\_\_\_\_

Encl. Type **3R** \_\_\_\_\_

Type de Coffrage \_\_\_\_\_

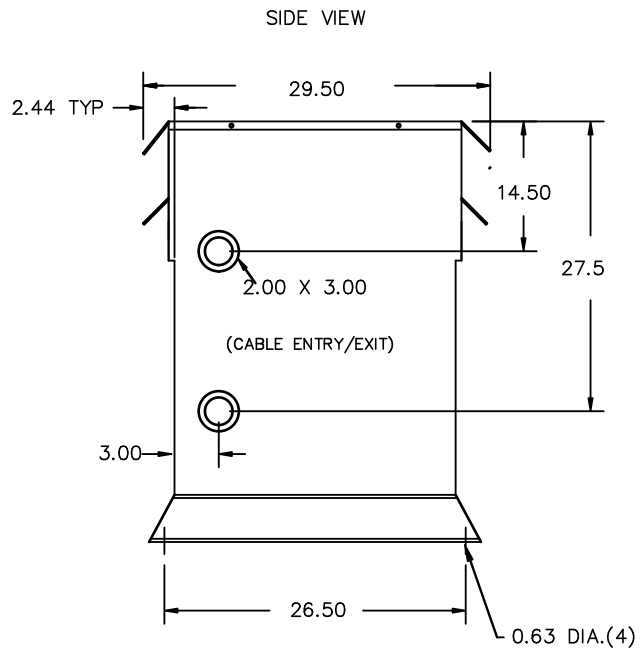
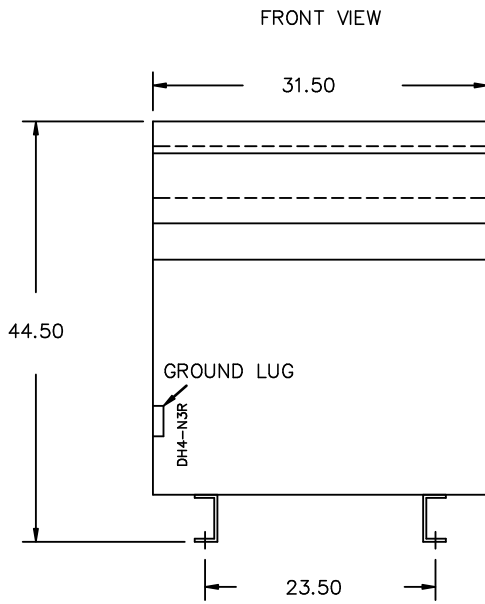
Weight **1500** lbs \_\_\_\_\_

Poids \_\_\_\_\_

SPACINGS BETWEEN ANY VENTILATED ENCLOSURE PANEL AND ANY ADJACENT WALL SHALL BE A MINIMUM OF 5 INCHES EXCEPT WHEN WALL MOUNTED USING APPROVED WALL MOUNTING KIT

SEISMIC QUALIFICATIONS:  
AS FLOOR MOUNT ONLY  
IBC 2018/ASCE 7-16  
SDS<=2.0g Z/h=1 Ip=1.5

d000186hb



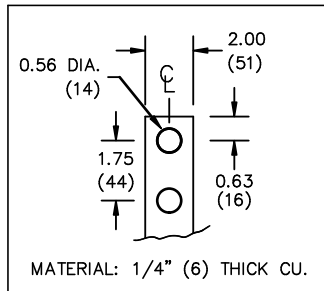
All Dimensions in inches

ENCLOSURE COLOR :ANSI 61 GREY – OUTDOOR

H.V.1. TERMINAL DETAIL

L.V.1. TERMINAL DETAIL

MECHANICAL TYPE LUGS INCLUDED  
SUITABLE FOR 600MCM-2 CU/AL  
CONDUCTORS  
1 CONDUCTOR PER PHASE



CUSTOMER NOTES:

- HV1 TERMINATED AT TOP FRONT
- LV1 TERMINATED AT BOTTOM FRONT

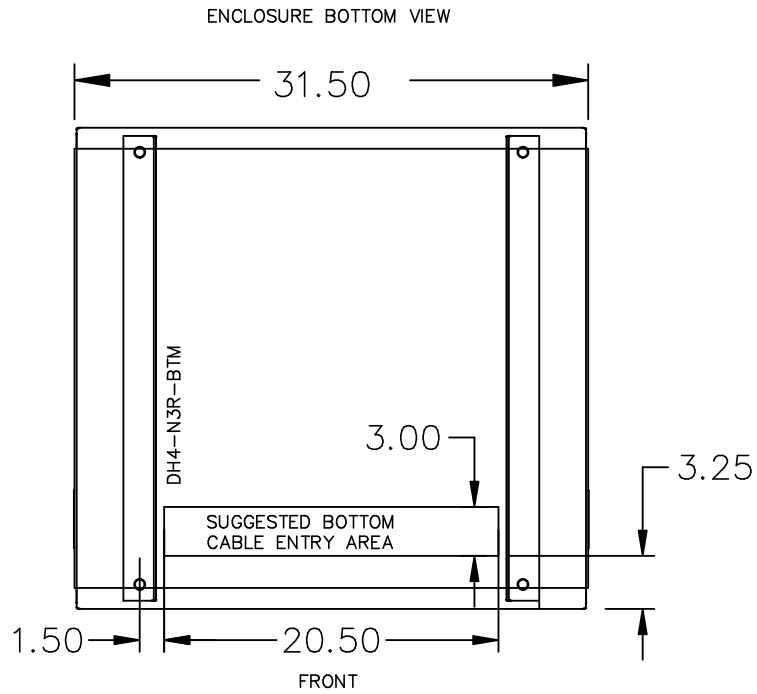


TITLE: 3PH DISTRIBUTION TRANSFORMER

3	21/07/16	PP	EDB UPDATE	DES: JWEN
2	20/03/17	PP	SEISMIC UPDATE	DATE: 15/11/09
NO.	DATE	BY	REVISION	SCALE: NTS

SHEET 2 OF 3

EDBSC3A0225PBOC



NOTE:  
 WHEN BOTTOM CABLE ENTRY IS OPTED, THE SPACE USED FOR CONDUITS IN THE FRONT OF THE TRANSFORMER SHOULD NOT OBSTRUCT MORE THAN 50% OF THE FRONT AIR INTAKE AREA DEFINED BETWEEN THE BOTTOM PLATE AND THE SUPPORTING LEGS.  
 SEE MANUAL FOR ADDITIONAL INFORMATION



TITLE: 3PH DISTRIBUTION TRANSFORMER  
 ENCLOSURE BOTTOM VIEW

3	21/07/16	PP	EDB UPDATE	DES: JWEN
2	20/03/17	PP	SEISMIC UPDATE	DATE: 15/11/09
NO.	DATE	BY	REVISION	SCALE: NTS

SHEET 3 OF 3

EDBSC3A0225PB0C