



TITLE: 3PH DISTRIBUTION TRANSFORMER
NAMEPLATE INFORMATION


3	21/07/16	PP	EDB UPDATE	DES: RBHATIA
2	20/03/17	PP	SEISMIC UPDATE	DATE: 16/06/15
NO.	DATE	BY	REVISION	SCALE: NTS

SHEET 1 OF 3

EDBSC3A0225KY

3.0 httpd 2026/05/19 07:00

THIS DRAWING CONTAINS STRICTLY CONFIDENTIAL INFORMATION BELONGING TO HAMMOND POWER SOLUTIONS AND MUST NOT BE DISTRIBUTED OUTSIDE AUTHORIZED PARTIES.




POWER SOLUTIONS
Guelph, ONT
Hyderabad, IN Compton, CA

HPS Sentinel™ G
Energy Efficient Distribution Transformer
Transformateur de Distribution à Bon Rendement Énergétique

Baraboo, WI
Monterrey, MX

Part No. **SG3A0225KY**

LISTED



LR 3902
DRY TYPE
TRANSFORMER
77US
E112313

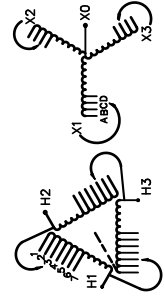
8 03423112799 2
ALSO REFER TO IEC 60076-1
TO ENERGY STANDARD IEC 60076-18
BY UNDERWRITERS LABORATORIES INC. 0148

Cust. Ref. Ref. du Client	Serial No. No. de Serie	HV/HT	VOLTS		CONNECTION EACH PHASE CONNECTION PAR PHASE
			CURRENT COURANT	% RATED VOLTAGE % TENSION NOMINALE	
3			504	105	1
			492	102.5	2
			480	100	3
			468	97.5	4
			456	95	5
			444	92.5	6
			432	90	7
			SECONDARY		A
			430		B
			416		C
			400		D
			380		

SPACINGS BETWEEN ANY VENTILATED ENCLOSURE PANEL AND ANY ADJACENT WALL SHALL BE A MINIMUM OF 5 INCHES EXCEPT WHEN WALL MOUNTED USING APPROVED WALL MOUNTING KIT

ONLY ONE TAP IN USE AT A TIME
RATIO ERROR +/- 1.15 % ON SOME TAPS

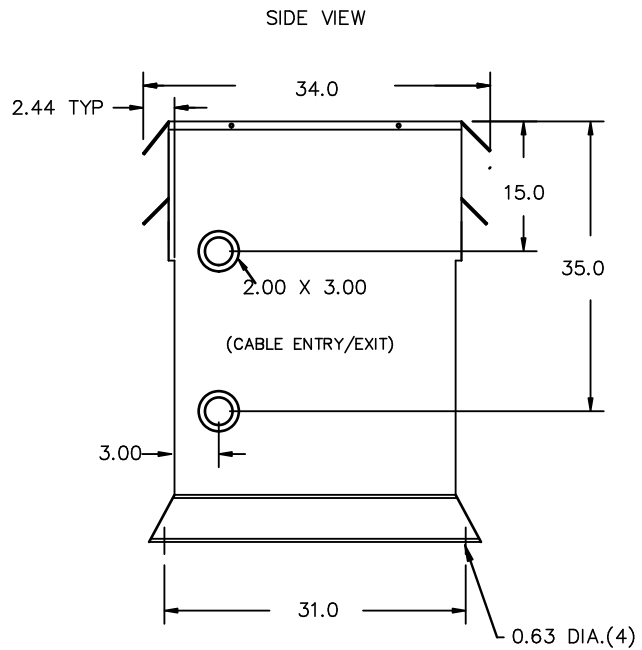
SEISMIC QUALIFICATIONS:
AS FLOOR MOUNT ONLY
IBC 2018/ASCE 7-16
SDS<=2.0g Z/h=0 Ip=1.5



d000186hb



All Dimensions in inches

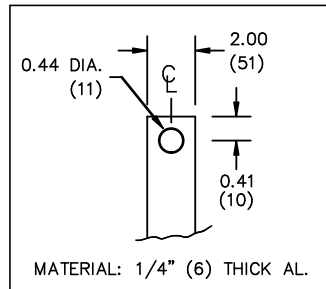


ENCLOSURE COLOR :ANSI 61 GREY – OUTDOOR

H.V.1. TERMINAL DETAIL

L.V.1. TERMINAL DETAIL

MECHANICAL TYPE LUGS INCLUDED
SUITABLE FOR 350MCM-6 CU/AL
CONDUCTORS
2 CONDUCTORS PER PHASE



CUSTOMER NOTES:

- HV1 TERMINATED AT TOP FRONT
- LV1 TERMINATED AT BOTTOM FRONT
- X0 TOP FRONT, TAPS A,B,C,D (X1 X2 X3) BOTTOM FRONT



TITLE: 3PH DISTRIBUTION TRANSFORMER

3	21/07/16	PP	EDB UPDATE	DES: RBHATIA
2	20/03/17	PP	SEISMIC UPDATE	DATE: 16/06/15
NO.	DATE	BY	REVISION	SCALE: NTS

SHEET 2 OF 3

EDBSC3A0225KY

ENCLOSURE BOTTOM VIEW



NOTE:
 WHEN BOTTOM CABLE ENTRY IS OPTED, THE SPACE USED FOR CONDUITS IN THE FRONT OF THE TRANSFORMER SHOULD NOT OBSTRUCT MORE THAN 50% OF THE FRONT AIR INTAKE AREA DEFINED BETWEEN THE BOTTOM PLATE AND THE SUPPORTING LEGS.
 SEE MANUAL FOR ADDITIONAL INFORMATION



TITLE: 3PH DISTRIBUTION TRANSFORMER
 ENCLOSURE BOTTOM VIEW

3	21/07/16	PP	EDB UPDATE	DES: RBHATIA
2	20/03/17	PP	SEISMIC UPDATE	DATE: 16/06/15
NO.	DATE	BY	REVISION	SCALE: NTS

SHEET 3 OF 3

EDBSC3A0225KY