




TITLE: 3PH DISTRIBUTION TRANSFORMER
NAMEPLATE INFORMATION

NO.	DATE	BY	REVISION	SCALE:	NTS
4	26/04/13	AA	ADDED COG ON ENCL	DES:	JWEN
3	21/07/16	PP	EDB UPDATE	DATE:	15/11/09

SHEET 1 OF 3

EDB SG3A0225KBOC





POWER SOLUTIONS
Guelph, ONT
Hyderabad, IN Compton, CA

HPS Sentinel™ G
Energy Efficient Distribution Transformer
Transformateur de Distribution à Bon Rendement Énergétique

Baraboo, WI
Monterrey, MX

Part No. **SG3A0225KBOC**

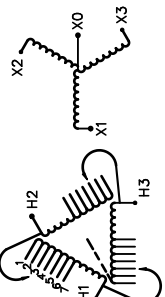


LISTED

LR 3902
 DRY TYPE
 TRANSFORMER
 77US
 E112313
 ALSO REFER TO CATALOGUE
 TO ENERGY STANDARDS CROZ-18
 BY UNDERWRITERS LABORATORIES INC. © 2016

SPACINGS BETWEEN ANY VENTILATED ENCLOSURE PANEL AND
 ANY ADJACENT WALL SHALL BE A MINIMUM OF 5 INCHES
 EXCEPT WHEN WALL MOUNTED USING APPROVED WALL MOUNTING KIT

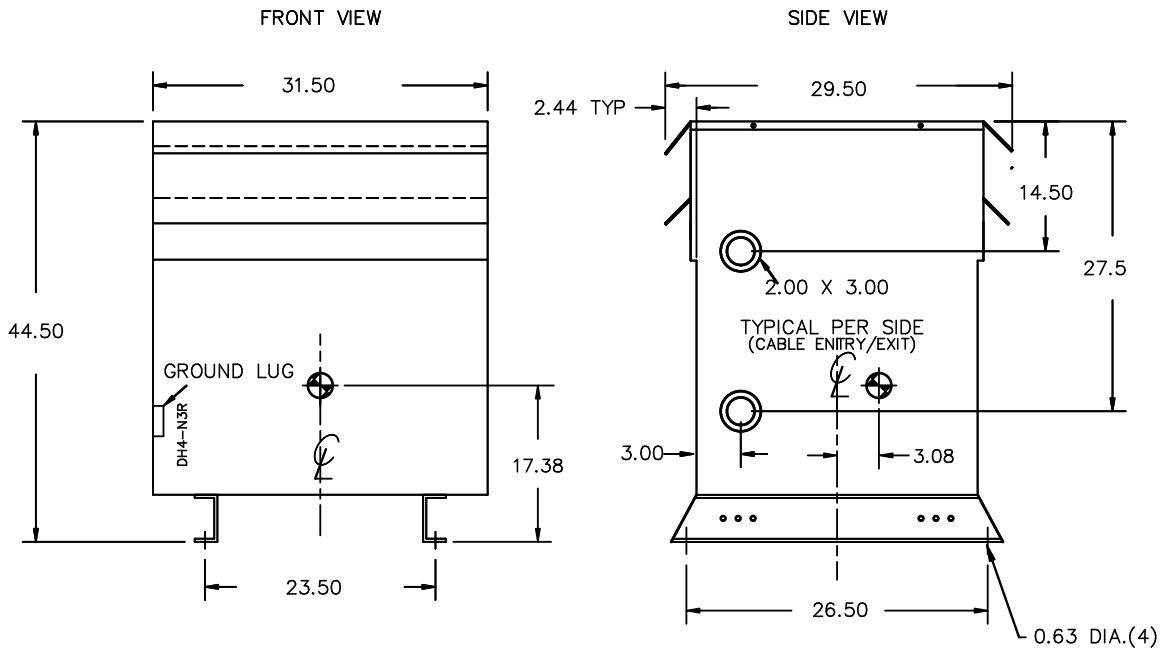
VOLTS	CURRENT COURANT	% RATED % TENSION NOMINALE	CONNECTION EACH PHASE CONNECTION PAR PHASE
504	258	105	1
492	264	102.5	2
480	271	100	3
468	278	97.5	4
456	285	95	5
444	293	92.5	6
432	301	90	7

Cust. Ref. Ref. du Client	Serial No. No. de Serie	
Phase	HV/HT	480V
Type	BIL	10 kV
Cooling Refroidissement	Term Bornes	H1 H2 H3
kVA	LV/BT	208Y/120V
Temp. Rise Échauffement	BIL	10 kV
Temp Class Classe Temp	Term Bornes	X0 X1 X2 X3
Winding Enroulement	Energy Regulations	DOE 10 CFR PART 431:2016
Frequency Fréquence Hz	Reglements de Énergétique	CEE ACT SOR/2018-201
Impedance % @ 170 °C		
Encl. Type Type de Coffrage		
Weight Poids	lbs/kg	1450/658



SEISMIC QUALIFICATIONS:
 AS FLOOR MOUNT ONLY
 IBC 2018/ASCE 7-16
 SDS<=2.0g Z/h=1 Ip=1.5

d000186hb



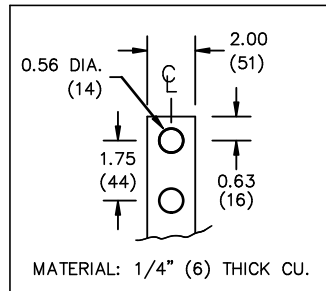
All Dimensions in inches

ENCLOSURE COLOR :ANSI 61 GREY – OUTDOOR

H.V.1. TERMINAL DETAIL

L.V.1. TERMINAL DETAIL

MECHANICAL TYPE LUGS INCLUDED
SUITABLE FOR 350MCM-6 CU/AL
CONDUCTORS
2 CONDUCTORS PER PHASE



CUSTOMER NOTES:

- HV1 TERMINATED AT TOP FRONT
- LV1 TERMINATED AT BOTTOM FRONT



TITLE: 3PH DISTRIBUTION TRANSFORMER

4	26/04/13	AA	ADDED COG ON ENCL	DES: JWEN
3	21/07/16	PP	EDB UPDATE	DATE: 15/11/09
NO.	DATE	BY	REVISION	SCALE: NTS

SHEET 2 OF 3

EDBSC3A0225KBOC



NOTE:
 WHEN BOTTOM CABLE ENTRY IS OPTED, THE SPACE USED FOR CONDUITS IN THE FRONT OF THE TRANSFORMER SHOULD NOT OBSTRUCT MORE THAN 50% OF THE FRONT AIR INTAKE AREA DEFINED BETWEEN THE BOTTOM PLATE AND THE SUPPORTING LEGS.
 SEE MANUAL FOR ADDITIONAL INFORMATION



TITLE: 3PH DISTRIBUTION TRANSFORMER
 ENCLOSURE BOTTOM VIEW

4	26/04/13	AA	ADDED COG ON ENCL	DES: JWEN
3	21/07/16	PP	EDB UPDATE	DATE: 15/11/09
NO.	DATE	BY	REVISION	SCALE: NTS

SHEET 3 OF 3

EDBSC3A0225KB0C