




TITLE: 3PH DISTRIBUTION TRANSFORMER
NAMEPLATE INFORMATION

3	21/07/16	PP	EDB UPDATE	DES: RMOVVA
2	20/03/17	PP	SEISMIC UPDATE	DATE: 15/12/15
NO.	DATE	BY	REVISION	SCALE: NTS

SHEET 1 OF 3

EDBSG3A0225DBOC

3.0 httpd 2026/04/03 19:23



POWER SOLUTIONS
Guelph, ONT Compton, CA Hyderabad, IN

HPS Sentinel™ G
Energy Efficient Distribution Transformer
Transformateur de Distribution à Bon Rendement Énergétique

Baraboo, WI Monterrey, MX
Part No. **SG3A0225DBOC**

Serial No. [] No. de Serie [] HV/HT [] 240V []

Phase [] 3 [] BIL [] K [] 10 kV []

Type [] ANN [] Term Bornes [] H1 H2 H3 []

Cooling Refroidissement [] kVA [] 225 [] LV/BT [] 208Y/120V []

Temp. Rise Echauffement [] 150 °C [] BIL [] 10 kV []

Temp Class Classe Temp [] 220 °C [] Term Bornes [] X0 X1 X2 X3 []

Winding Enroulement [] CU [] Energy Regulations [] DOE 10 CFR PART 431:2016 []

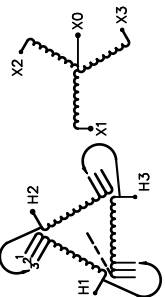
Frequency Fréquence Hz [] 60 [] Reglements Énergétique [] CEE ACT SOR/2018-201 []

Impedance % @ 170 °C [] 6.3 []

Encl. Type Type de Coffrage [] 3R []

Weight Poids [] lbs [] 1500 []

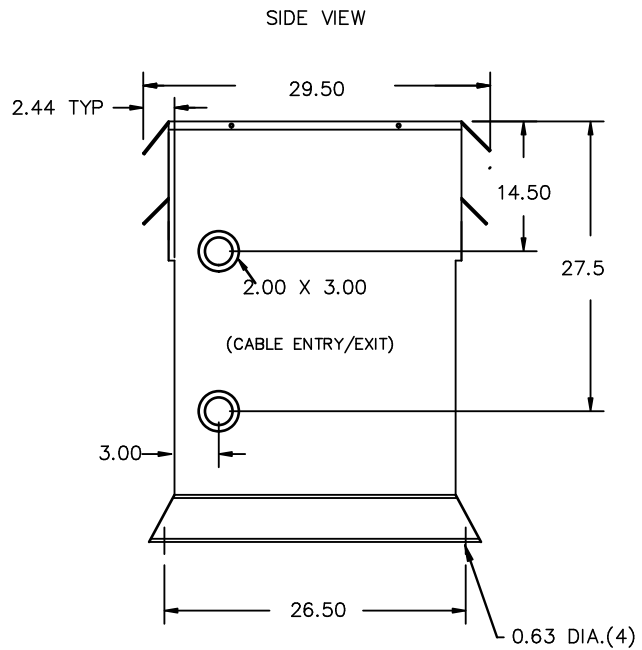
VOLTS	CURRENT COURANT	% RATED VOLTAGE % TENSION NOMINALE	CONNECTION EACH PHASE CONNECTION PAR PHASE
252	515	105	1
246	541	100	2
228	570	95	3



SEISMIC QUALIFICATIONS:
AS FLOOR MOUNT ONLY
IBC 2018/ASCE 7-16
SDS<=2.0g Z/h=1 Ip=1.5

SPACINGS BETWEEN ANY VENTILATED ENCLOSURE PANEL AND ANY ADJACENT WALL SHALL BE A MINIMUM OF 5 INCHES EXCEPT WHEN WALL MOUNTED USING APPROVED WALL MOUNTING KIT

0000186hb

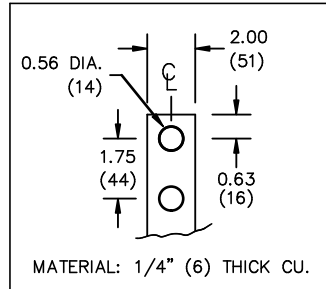
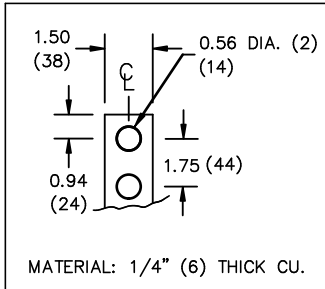


All Dimensions in inches

ENCLOSURE COLOR :ANSI 61 GREY – OUTDOOR

H.V.1. TERMINAL DETAIL

L.V.1. TERMINAL DETAIL



CUSTOMER NOTES:

- HV1 TERMINATED AT TOP FRONT
- LV1 TERMINATED AT BOTTOM FRONT



TITLE: 3PH DISTRIBUTION TRANSFORMER

3	21/07/16	PP	EDB UPDATE	DES: RMOVVA
2	20/03/17	PP	SEISMIC UPDATE	DATE: 15/12/15
NO.	DATE	BY	REVISION	SCALE: NTS

SHEET 2 OF 3

EDBSC3A0225DBOC



NOTE:
 WHEN BOTTOM CABLE ENTRY IS OPTED, THE SPACE USED FOR CONDUITS IN THE FRONT OF THE TRANSFORMER SHOULD NOT OBSTRUCT MORE THAN 50% OF THE FRONT AIR INTAKE AREA DEFINED BETWEEN THE BOTTOM PLATE AND THE SUPPORTING LEGS.
 SEE MANUAL FOR ADDITIONAL INFORMATION



TITLE: 3PH DISTRIBUTION TRANSFORMER
 ENCLOSURE BOTTOM VIEW

3	21/07/16	PP	EDB UPDATE	DES: RMOVVA
2	20/03/17	PP	SEISMIC UPDATE	DATE: 15/12/15
NO.	DATE	BY	REVISION	SCALE: NTS

SHEET 3 OF 3

EDBSG3A0225DBOC