




TITLE: 3PH DISTRIBUTION TRANSFORMER
NAMEPLATE INFORMATION

NO.	DATE	BY	REVISION
4	21/07/16	PP	EDB UPDATE
3	20/03/17	PP	SEISMIC UPDATE
			DES: RBHATIA
			DATE: 16/01/11
			SCALE: NTS

SHEET 1 OF 3

EDBSC3A0225DB

4.0 httpd 2026/05/28 12:49



POWER SOLUTIONS
Guelph, ONT
Hyderabad, IN Compton, CA

HPS Sentinel™ G
Energy Efficient Distribution Transformer
Transformateur de Distribution à Bon Rendement Énergétique

Baraboo, WI
Monterrey, MX

Part No. **SG3A0225DB**

LR 3902
UL LISTED
UL 77US E112313
UL 77US E112313
UL 77US E112313
UL 77US E112313

DRY TYPE DISTRIBUTION TRANSFORMER
UL 77US E112313
UL 77US E112313
UL 77US E112313
UL 77US E112313

03423172750
03423172750
03423172750
03423172750

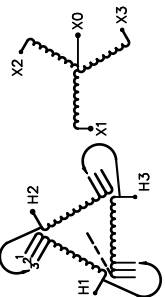
ALSO REFER TO THE FOLLOWING STANDARDS:
UL 77US E112313
UL 77US E112313
UL 77US E112313
UL 77US E112313

BY UNDERWRITERS LABORATORIES INC. 0148

VOLTS	CURRENT COURANT	% RATED VOLTAGE % TENSION NOMINALE	CONNECTION EACH PHASE CONNECTION PAR PHASE
252	515	105	1
246	541	100	2
228	570	95	3

SPACINGS BETWEEN ANY VENTILATED ENCLOSURE PANEL AND ANY ADJACENT WALL SHALL BE A MINIMUM OF 5 INCHES EXCEPT WHEN WALL MOUNTED USING APPROVED WALL MOUNTING KIT

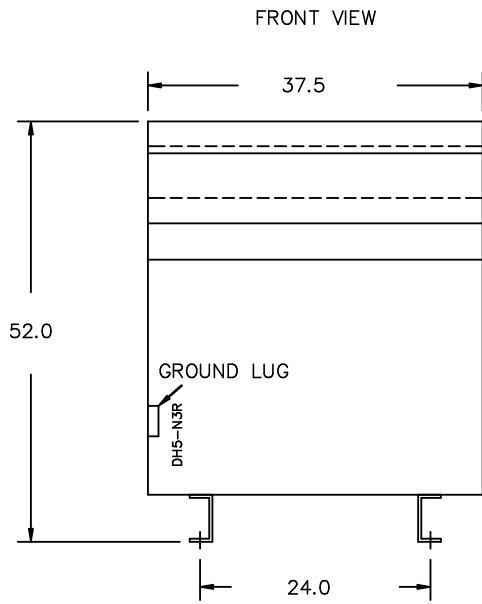
SEISMIC QUALIFICATIONS:
AS FLOOR MOUNT ONLY
IBC 2018/ASCE 7-16
SDS<=2.0g Z/h=0 Ip=1.5



Cust. Ref. Ref. du Client	Serial No. No. de Serie	240V	541A
Phase	HV/HT	10 kV	
Type	BIL	H1 H2 H3	
Cooling Refroidissement	Term Bornes	208Y/120V	625A
kVA	LV/BT	10 kV	
Temp. Rise Échauffement	BIL	X0 X1 X2 X3	
Temp Class Classe Temp	Term Bornes	DOE 10 CFR PART 431:2016	
Winding Enroulement	Energy Regulations	CEE ACT SOR/2018-201	
Frequency Fréquence Hz	Reglements Énergétique		
Impedance % @ 170°C			
Encl. Type Type de Coffrage			
Weight Poids			1650

THIS DRAWING CONTAINS STRICTLY CONFIDENTIAL INFORMATION BELONGING TO HAMMOND POWER SOLUTIONS AND MUST NOT BE DISTRIBUTED OUTSIDE AUTHORIZED PARTIES.

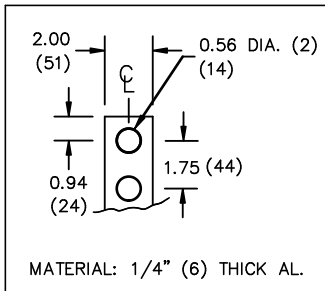
d000186hb



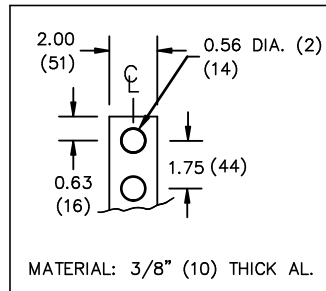
All Dimensions in inches

ENCLOSURE COLOR :ANSI 61 GREY – OUTDOOR

HV TERMINAL DETAIL



LV TERMINAL DETAIL



CUSTOMER NOTES:

- HV TERMINATED AT TOP FRONT
- LV TERMINATED AT BOTTOM FRONT



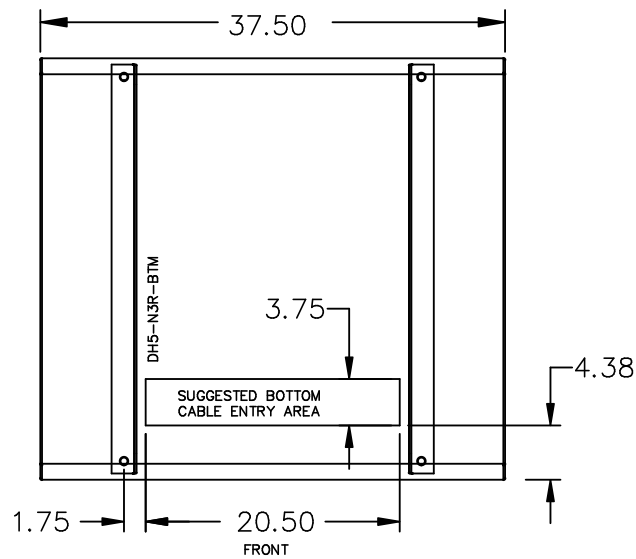
TITLE: 3PH DISTRIBUTION TRANSFORMER

4	21/07/16	PP	EDB UPDATE	DES: RBHATIA
3	20/03/17	PP	SEISMIC UPDATE	DATE: 16/01/11
NO.	DATE	BY	REVISION	SCALE: NTS

SHEET 2 OF 3

EDBSC3A0225DB

ENCLOSURE BOTTOM VIEW



NOTE:
 WHEN BOTTOM CABLE ENTRY IS OPTED, THE SPACE USED FOR CONDUITS IN THE FRONT OF THE TRANSFORMER SHOULD NOT OBSTRUCT MORE THAN 50% OF THE FRONT AIR INTAKE AREA DEFINED BETWEEN THE BOTTOM PLATE AND THE SUPPORTING LEGS.
 SEE MANUAL FOR ADDITIONAL INFORMATION



TITLE: 3PH DISTRIBUTION TRANSFORMER
 ENCLOSURE BOTTOM VIEW

4	21/07/16	PP	EDB UPDATE	DES: RBHATIA
3	20/03/17	PP	SEISMIC UPDATE	DATE: 16/01/11
NO.	DATE	BY	REVISION	SCALE: NTS

SHEET 3 OF 3

EDBSC3A0225DB