



TITLE: 3PH DISTRIBUTION TRANSFORMER
NAMEPLATE INFORMATION


NO.	DATE	BY	REVISION	DESIGN UPDATE	DES: JWEN
4	22/02/15	CS		DESIGN UPDATE	DES: JWEN
3	21/07/16	PP		EDB UPDATE	DATE: 15/11/09
					SCALE: NTS

SHEET 1 OF 3

EDBSG3A0225BK

4.0 httpd 2026/04/03 18:52

THIS DRAWING CONTAINS STRICTLY CONFIDENTIAL INFORMATION BELONGING TO HAMMOND POWER SOLUTIONS AND MUST NOT BE DISTRIBUTED OUTSIDE AUTHORIZED PARTIES.




POWER SOLUTIONS
Guelph, ONT
Hyderabad, IN Compton, CA

HPS Sentinel™ G
Energy Efficient Distribution Transformer
Transformateur de Distribution à Bon Rendement Énergétique

Baraboo, WI
Monterrey, MX

Part No. **SG3A0225BK**

LR 3902
DRY TYPE
77US
E112313



LISTED

8 03423 17296 6
ALSO REFER TO THE FOLLOWING STANDARDS:
UL 1568 AND IEC 60076-18
BY UNDERWRITERS LABORATORIES INC. 0148

VOLTS	CURRENT COURANT	% RATED VOLTAGE % TENSION NOMINALE	CONNECTION EACH PHASE CONNECTION PAR PHASE
218	595	105	1
208	625	100	2
198	657	95	3

Serial No. []
No. de Serie []

Phase 3 HV/HT 480Y/277V

Type K BIL 10 kV

Cooling Refroidissement ANN Term Bornes H0 H1 H2 H3

kVA 225 LV/BT 208V

Temp. Rise Echauffement 150 °C BIL 10 kV

Temp Class Classe Temp 220 °C Term Bornes X1 X2 X3

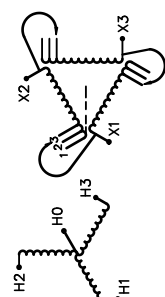
Winding Enroulement AL Energy Regulations DOE 10 CFR PART 431:2016

Frequency Fréquence Hz 60 CEE ACT SOR/2018-201

Impedance % @ 170 °C 5.6

Encl. Type Type de Coffrage 3R

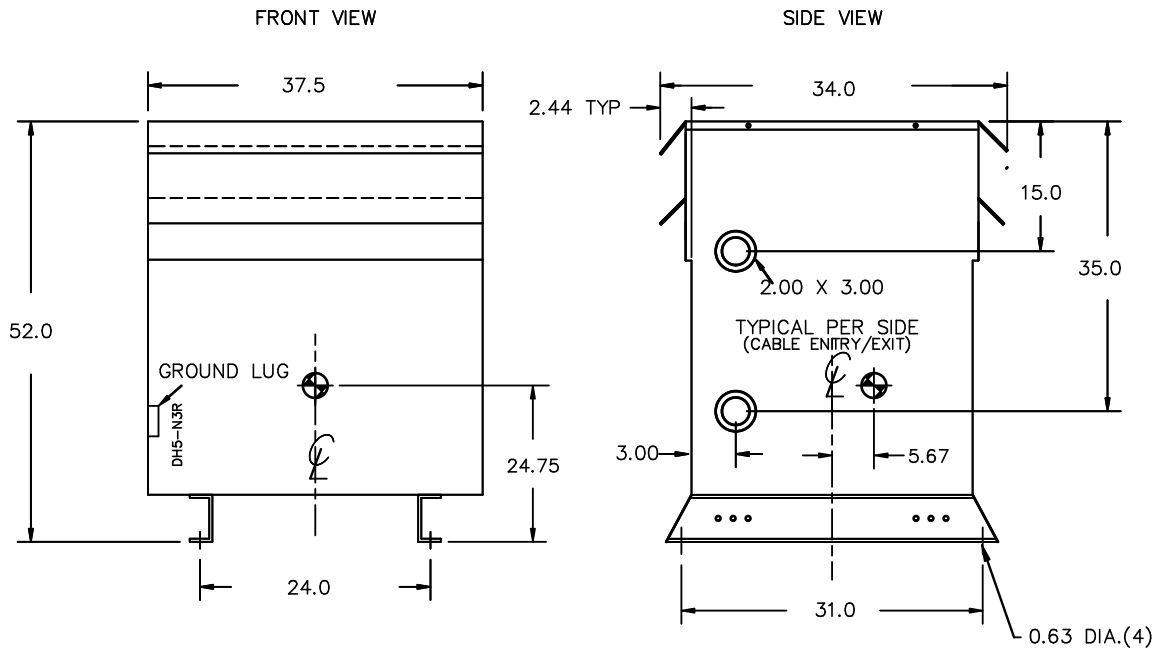
Weight Poids lbs 1450



SEISMIC QUALIFICATIONS:
AS FLOOR MOUNT ONLY
IBC 2018/ASCE 7-16
SDS<=2.0g Z/h=0 Ip=1.5

d000186hb

SPACINGS BETWEEN ANY VENTILATED ENCLOSURE PANEL AND ANY ADJACENT WALL SHALL BE A MINIMUM OF 5 INCHES EXCEPT WHEN WALL MOUNTED USING APPROVED WALL MOUNTING KIT
TRANSFORMER SUITABLE FOR STEP UP OPERATION ONLY



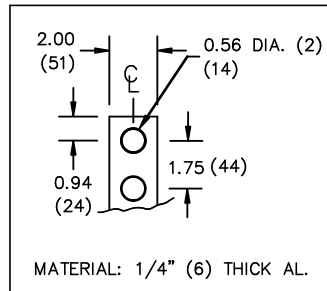
All Dimensions in inches

ENCLOSURE COLOR :ANSI 61 GREY – OUTDOOR

H.V.1. TERMINAL DETAIL

L.V.1. TERMINAL DETAIL

MECHANICAL TYPE LUGS INCLUDED
SUITABLE FOR 600MCM-2 CU/AL
CONDUCTORS
1 CONDUCTOR PER PHASE



CUSTOMER NOTES:

- HV1 TERMINATED AT BOTTOM FRONT
- LV1 TERMINATED AT TOP FRONT



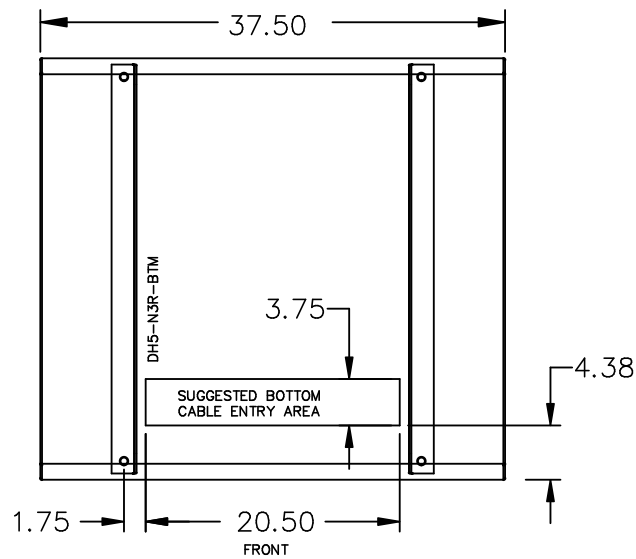
TITLE: 3PH DISTRIBUTION TRANSFORMER

4	22/02/15	CS	DESIGN UPDATE	DES: JWEN
3	21/07/16	PP	EDB UPDATE	DATE: 15/11/09
NO.	DATE	BY	REVISION	SCALE: NTS

SHEET 2 OF 3

EDBSC3A0225BK

ENCLOSURE BOTTOM VIEW



NOTE:
 WHEN BOTTOM CABLE ENTRY IS OPTED, THE SPACE USED FOR CONDUITS IN THE FRONT OF THE TRANSFORMER SHOULD NOT OBSTRUCT MORE THAN 50% OF THE FRONT AIR INTAKE AREA DEFINED BETWEEN THE BOTTOM PLATE AND THE SUPPORTING LEGS.
 SEE MANUAL FOR ADDITIONAL INFORMATION



TITLE: 3PH DISTRIBUTION TRANSFORMER
 ENCLOSURE BOTTOM VIEW

4	22/02/15	CS	DESIGN UPDATE	DES: JWEN
3	21/07/16	PP	EDB UPDATE	DATE: 15/11/09
NO.	DATE	BY	REVISION	SCALE: NTS

SHEET 3 OF 3

EDBSC3A0225BK