



TITLE: 3PH DISTRIBUTION TRANSFORMER
NAMEPLATE INFORMATION


NO.	DATE	BY	REVISION
2	21/11/25	CS	NPL IMPEDANCE AND WEIGHT UPDATE
1	21/07/16	PP	EDB UPDATE
			DES: CSHAH DATE: 20/08/06 SCALE: NTS

SHEET 1 OF 3

EDBSC3A0225BB

2.0 httpd 2026/04/04 09:19

THIS DRAWING CONTAINS STRICTLY CONFIDENTIAL INFORMATION BELONGING TO HAMMOND POWER SOLUTIONS AND MUST NOT BE DISTRIBUTED OUTSIDE AUTHORIZED PARTIES.




POWER SOLUTIONS
Guelph, ONT
Hyderabad, IN Compton, CA

HPS Sentinel™ G
Energy Efficient Distribution Transformer
Transformateur de Distribution à Bon Rendement Énergétique

Baraboo, WI
Monterrey, MX

Part No. **SG3A0225BB**

DRY TYPE DISTRIBUTOR 77US E112313
LR 3902
03423112720
ALSO REFER TO ENERGY STANDARDS C202-18 BY UNDERWRITERS LABORATORIES INC. 0148

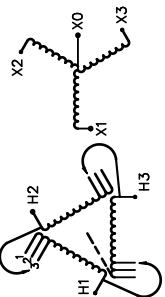


LISTED

SPACINGS BETWEEN ANY VENTILATED ENCLOSURE PANEL AND ANY ADJACENT WALL SHALL BE A MINIMUM OF 5 INCHES EXCEPT WHEN WALL MOUNTED USING APPROVED WALL MOUNTING KIT WHICH IS TO THE NEAREST TURN PER STANDARD

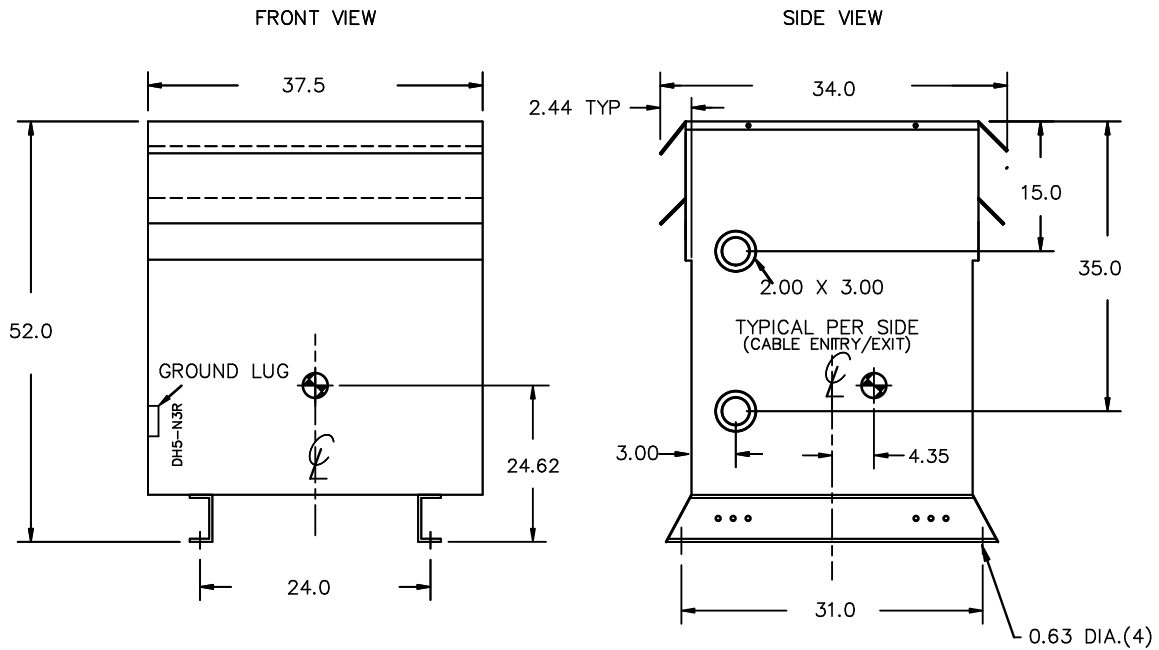
VOLTS	CURRENT COURANT	% RATED VOLTAGE % TENSION NOMINALE	CONNECTION EACH PHASE CONNECTION PAR PHASE
218	595	105	1
208	625	100	2
198	657	95	3

Cust. Ref. Ref. du Client	Serial No. No. de Serie	208V	625A
Phase	HV/HT	10 kV	
Type	BIL	H1 H2 H3	
Cooling Refrondissement	ANN	208Y/120V	625A
kVA	225	10 kV	
Temp. Rise Echauffement	150 °C	DOE 10 CFR PART 431:2016	
Temp Class Classe Temp	220 °C	CEE ACT SOR/2018-201	
Winding Enroulement	AL	Reglements de Energétique	
Frequency Fréquence Hz	60		
Impedance % @ 170 °C	5.9		
Encl. Type Type De Coffrage	3R		
Weight Poids	1750		



SEISMIC QUALIFICATIONS:
AS FLOOR MOUNT ONLY
IBC 2018/ASCE 7-16
SDS<=2.0g Z/h=0 Ip=1.5

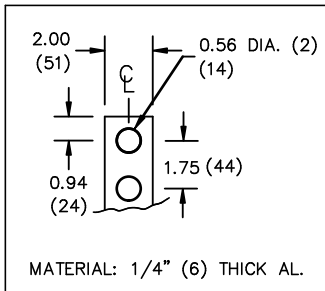
d000186hb



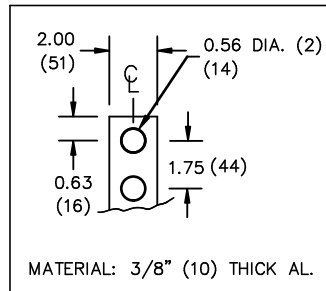
All Dimensions in inches

ENCLOSURE COLOR :ANSI 61 GREY – OUTDOOR

HV TERMINAL DETAIL



LV TERMINAL DETAIL



CUSTOMER NOTES:

- HV TERMINATED AT TOP FRONT
- LV TERMINATED AT BOTTOM FRONT



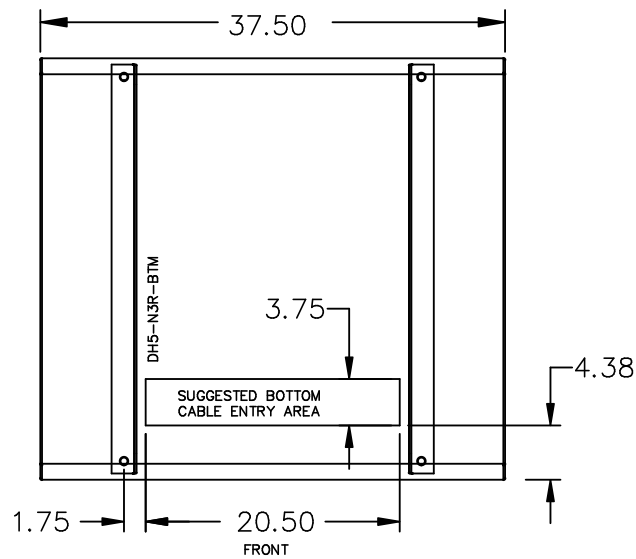
TITLE: 3PH DISTRIBUTION TRANSFORMER

2	21/11/25	CS	NPL IMPEDANCE AND WEIGHT UPDATE	DES: CSHAH
1	21/07/16	PP	EDB UPDATE	DATE: 20/08/06
NO.	DATE	BY	REVISION	SCALE: NTS

SHEET 2 OF 3

EDBSC3A02255BB

ENCLOSURE BOTTOM VIEW



NOTE:
 WHEN BOTTOM CABLE ENTRY IS OPTED, THE SPACE USED FOR CONDUITS IN THE FRONT OF THE TRANSFORMER SHOULD NOT OBSTRUCT MORE THAN 50% OF THE FRONT AIR INTAKE AREA DEFINED BETWEEN THE BOTTOM PLATE AND THE SUPPORTING LEGS.
 SEE MANUAL FOR ADDITIONAL INFORMATION



TITLE: 3PH DISTRIBUTION TRANSFORMER
 ENCLOSURE BOTTOM VIEW

2	21/11/25	CS	NPL IMPEDANCE AND WEIGHT UPDATE	DES: CSHAH
1	21/07/16	PP	EDB UPDATE	DATE: 20/08/06
NO.	DATE	BY	REVISION	SCALE: NTS

SHEET 3 OF 3

EDBSC3A0225BB